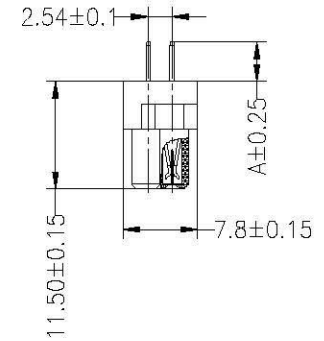
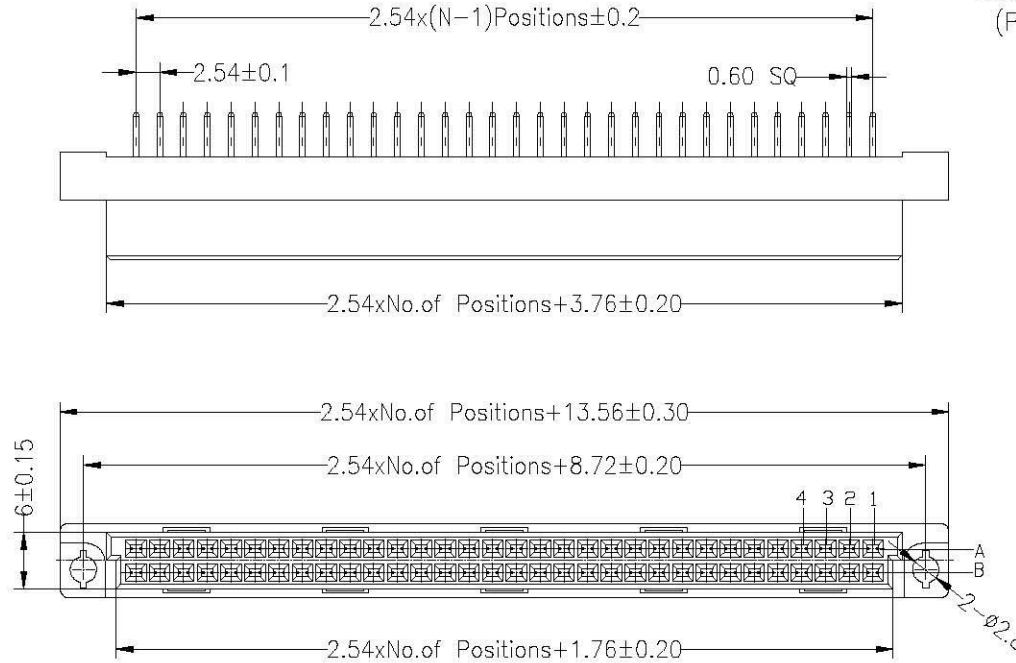
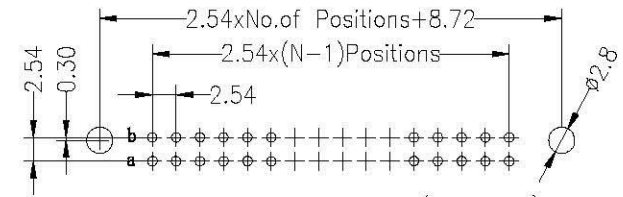




SPECIFICATIONS

Rated Current: 2.0AMP
 Contact Resistance: 30mΩ Max
 Withstand Voltage: 1000V AC/DC
 Insulation Resistance: 1000MΩ Min
 Operation Temperature: -40°C to +105°C

Contact Material: Brass
 Contact Plating: Au or Sn Over Ni
 Insulator Material: Polyester (UL94V-0)
 Standard: PBT
 Max. Processing Temp: 180°C for 30-60 seconds
 (200°C for 10 seconds)



Ordering Information

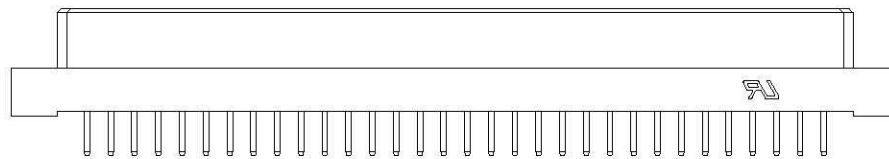
3511 2 64 B F S XX BNA1

No. of Pins
16~64P

Contact Type
F=Female

Contact Plating
 G0: Gold Flash
 S0: Gold Flash/Tin
 S1: 2U" Gold/Tin
 S2: 5U" Gold/Tin
 S3: 10U" Gold/Tin
 S4: 15U" Gold/Tin
 S5: 30U" Gold/Tin
 SN: Tin

3511264BFSS0BNA1 for BF64abT-2 母座 180度脚 2x32P



Dimension antitheses list			
ITEM	A		
Standard	3.80	13.0	17.0
Alternate			

				OPERATION		DRAW	YiYuSheng	15.04.06	SCALE	FIT		
				X.X	±0.30				UNIT	mm		
				X.XX	±0.20	CHECK		SIZE	A4			
				X.XXX	±0.10	APPROVE		SHEET	1/1			
REV	DATE	MODIFICATION DESCRIPTION		CHANGE	DIM	TOL		PROJ.	☞	PART NO.		
										TITLE:	DIN 41612 180° 2xNPIN Female	