

I-T Characteristics / 時間-電流特性

Ampere Rating 額定電流	% of Ampere Rating 額定電流%	Opening Time 熔斷時間
100mA~15A	100%	4 Hrs Min. / 最短4小時
	135%	1 Hr Max. / 最長1小時
	200%	120s Max. / 最長120秒
	1000%	10ms Min. / 最短10毫秒

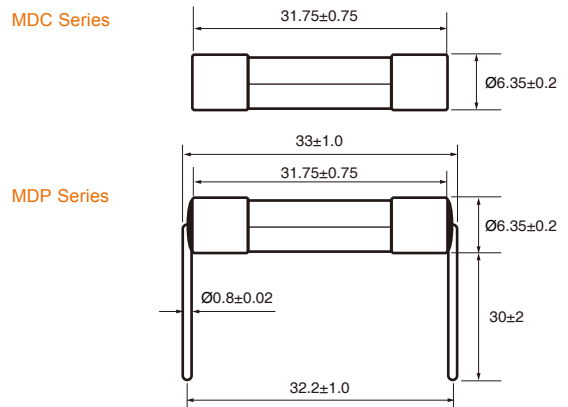
In accordance with UL 248-1 / -14 standard / 遵循UL 248-1 / -14

Product Features / 產品特性

Materials 材質	Body / 本體: Glass tube / 玻璃管 Lead / 引線: Tinned copper wire / 鍍錫銅線 Cap / 銅帽: Brass with nickel plated / 銅鍍鎳 Element / 熔絲: Alloy / 合金線
Operating Temperature 操作溫度	-55°C to +125°C (Consider de-rating / 需考慮溫度折減)
Solderability 可焊性	260°C, ≤ 3s. (Wave / 波峰焊) 350±10°C, ≤ 3s. (Soldering iron / 烙鐵焊)
Resistance to Soldering Heat 耐焊接熱	260°C, 10s. (Wave / 波峰焊) 350°C, 5s. (Soldering iron / 烙鐵焊)
Recommended Soldering Parameters 建議錫焊參數	Wave soldering parameter / 波峰焊 Soldering pot temperature / 錫爐溫度: 260°C Max Solder dwell time / 焊接時間: 2~5s Hand welding parameter / 手工焊 Soldering iron temperature / 烙鐵溫度: 350±5°C Solder dwell time / 焊接時間: 5s Max.
Storage Conditions 儲存條件	Can be stored for 3 years under tight seal condition at temperature of +10°C~60°C, relative humidity ≤ 75%. 在溫度+10°C~60°C, 相對濕度 ≤ 75% 的密封條件下可存放3年。 At most can be kept 30 days at temperature +10°C~60°C, relative humidity ≤ 95% under covered conditions. 在溫度+10°C~60°C, 相對濕度為95%的非露天下最多可存放30天。



Dimensions / 尺寸圖 (Unit / 單位:mm)



Electrical Characteristics / 電氣特性

Type 型號	Rated Current 額定電流	Rated Voltage 額定電壓	Breaking Capacity 分斷能力	Safety Approvals 安全認證		
				UL US	PES JET	
MDC/MDP	100mA	125V/250V	100mA~15A 10000A@125V AC	●		
MDC/MDP	125mA	125V/250V		●		
MDC/MDP	150mA	125V/250V		●		
MDC/MDP	160mA	125V/250V		●		
MDC/MDP	200mA	125V/250V		●		
MDC/MDP	250mA	125V/250V		●		
MDC/MDP	300mA	125V/250V		●		
MDC/MDP	315mA	125V/250V		●		
MDC/MDP	350mA	125V/250V		●		
MDC/MDP	375mA	125V/250V		●		
MDC/MDP	400mA	125V/250V	100mA~15A 500A@125V DC	●		
MDC/MDP	500mA	125V/250V		●		
MDC/MDP	600mA	125V/250V		●		
MDC/MDP	630mA	125V/250V		●		
MDC/MDP	750mA	125V/250V		●		
MDC/MDP	800mA	125V/250V		●		
MDC/MDP	1.00A	125V/250V		100mA~1A 35A@250V AC	●	●
MDC/MDP	1.25A	125V/250V			●	●
MDC/MDP	1.50A	125V/250V			●	●
MDC/MDP	1.60A	125V/250V			●	●
MDC/MDP	2.00A	125V/250V	●		●	
MDC/MDP	2.50A	125V/250V	●		●	
MDC/MDP	3.00A	125V/250V	1.1A~3.5A 100A@250V AC		●	●
MDC/MDP	3.15A	125V/250V			●	●
MDC/MDP	3.50A	125V/250V			●	●
MDC/MDP	4.00A	125V/250V			●	●
MDC/MDP	5.00A	125V/250V		●	●	
MDC/MDP	6.00A	125V/250V		3.6A~8A 200A@250V AC	●	●
MDC/MDP	6.30A	125V/250V			●	●
MDC/MDP	7.00A	125V/250V			●	●
MDC/MDP	8.00A	125V/250V			●	●
MDC/MDP	10.0A	125V			●	●
MDC/MDP	12.0A	125V	●		●	
MDC/MDP	15.0A	125V	●		●	