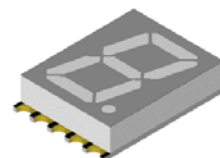


## 0.56" Single Digit SMD Display

### VD 571AB

#### Main Features:

- Surface mount technology
- Low power consumption
- High efficiency chips material
- Excellent character appearance
- Long life solid state reliability
- Common anode configuration
- Black color surface reflector with white diffuse segments



#### Applications

- Industry equipment
- Instruments panels
- Counter equipment
- Power meter



#### Electronic Optical Characteristics (at 20mA):

| Part Number | Emitted Color | $\lambda$ (nm) |             | Surface Color | Iv(mcd) |      | VF(V) |      |
|-------------|---------------|----------------|-------------|---------------|---------|------|-------|------|
|             |               | $\lambda d$    | $\lambda p$ |               | Min.    | Typ. | Typ.  | Max. |
| VD 571AB    | Red           | 624            | 632         | Black         | 13      | 26   | 2.0   | 2.4  |

#### Absolute Maximum Ratings (at Ta=25°C)

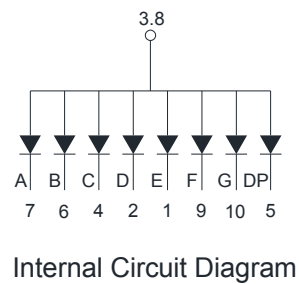
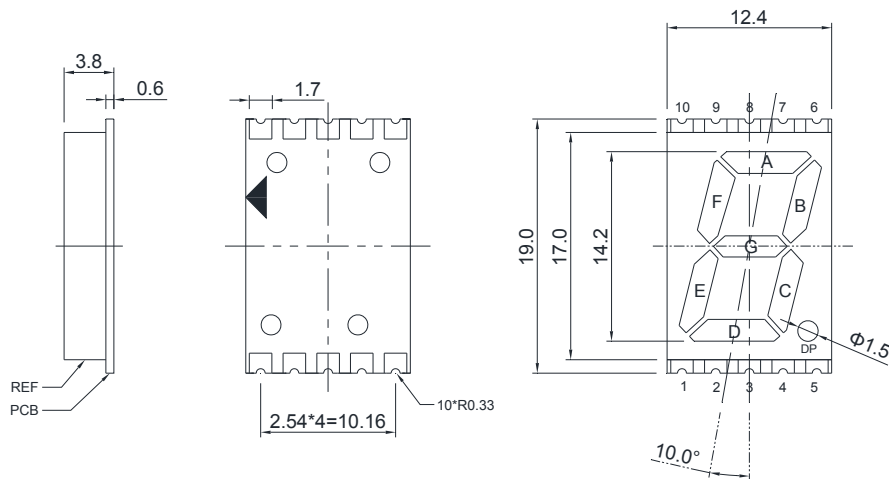
| P <sub>D</sub> (mW) | I <sub>FP</sub> (mA) | I <sub>F</sub> (mA) | Iron Solder(°C)    | I <sub>R</sub> (uA)@V <sub>R</sub> =5V | Topr(°C) | Tstg(°C) |
|---------------------|----------------------|---------------------|--------------------|--|----------|----------|
| 65                  | 25*                  | 20                  | 350 ± 5 for 3 sec. | 10                                     | -40~+85  | -40~+100 |

Note: Please take note the Absolute Maximum Rating values. Any operation beyond the specify ratings in this table will result degradation of LED life-span and may cause LED to fail.

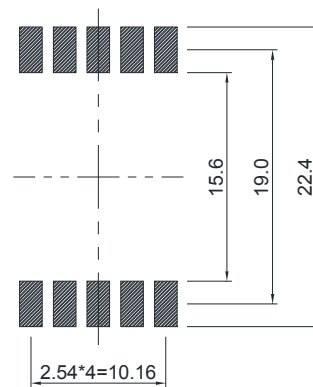
\* I<sub>FP</sub>: Peak Forward Current under 1/10 duty, 1KHz condition

## Package Dimension

unit: mm



Internal Circuit Diagram



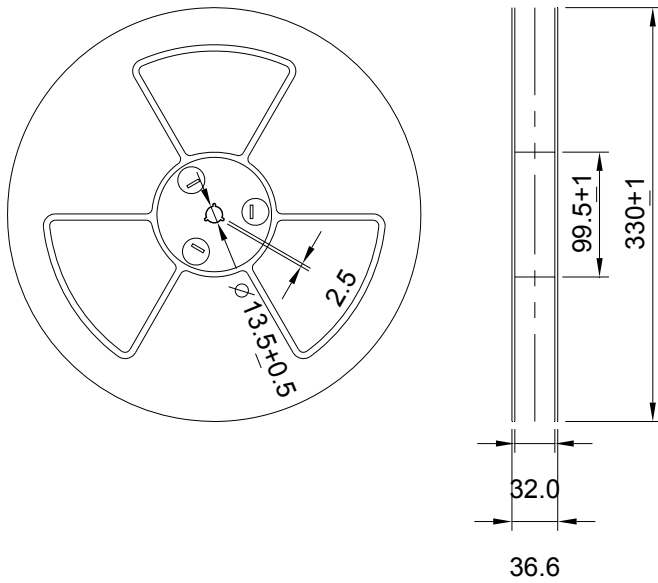
Recommended Soldering Pad

### Notes:

1. All dimensions are millimeters.
2. Dimensional tolerance is +/- 0.25mm unless otherwise specified.
3. Specifications are subject to change without notice.

## Reel Dimension:

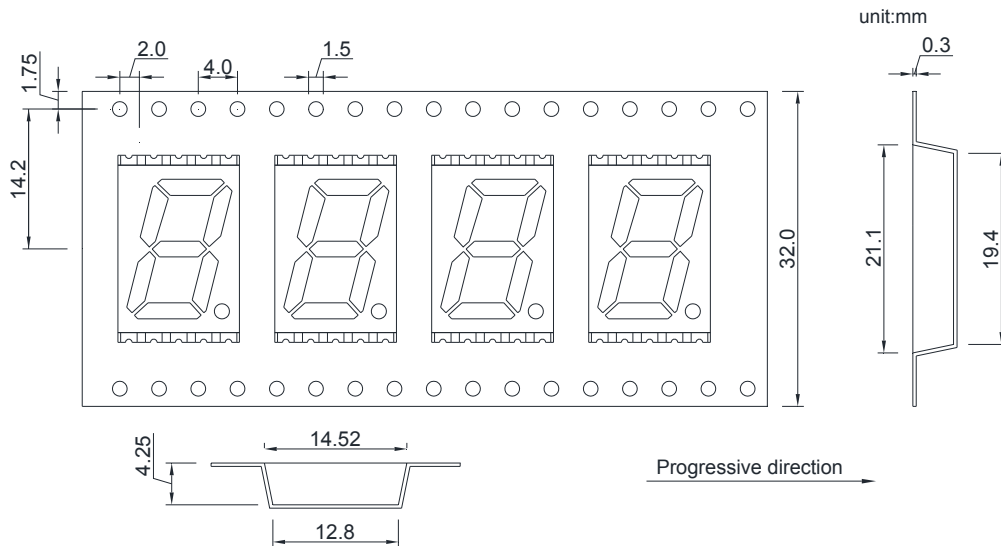
unit : mm



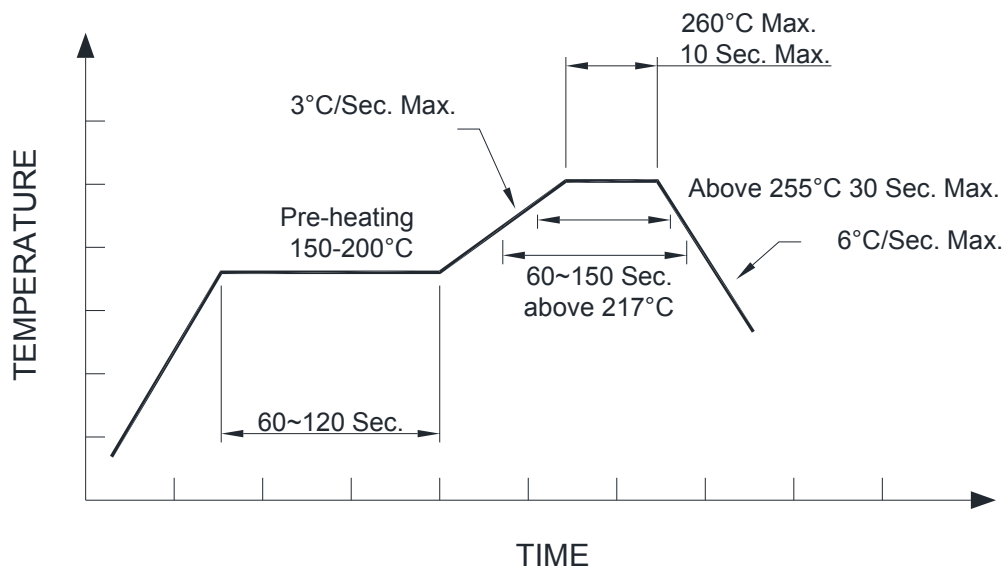
### Note:

Available in 32mm carrier tape on 330mm diameter reels. (800 pieces)

## Tape Dimension:



## Recommended Pb-free re-flow soldering profile:



### Note:

All the specifications listed in this data sheet are suitable for general electronic equipment, office equipment and communication devices. Kindly consult Sales Representatives for specific reliabilities request, Forward Voltage, Luminous Intensity, Wavelength, Radiant Power or Viewing Angle.