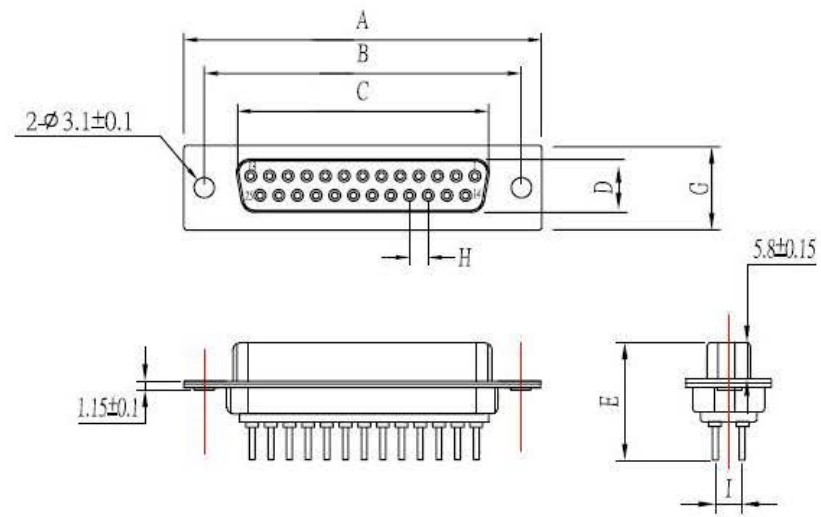


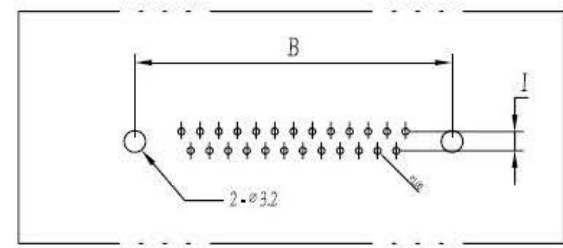
REV.	ECN NO.	ZONE	DESCRIPTION	DATE	DESIGN	APPROVE
A1			NEW DRAW			



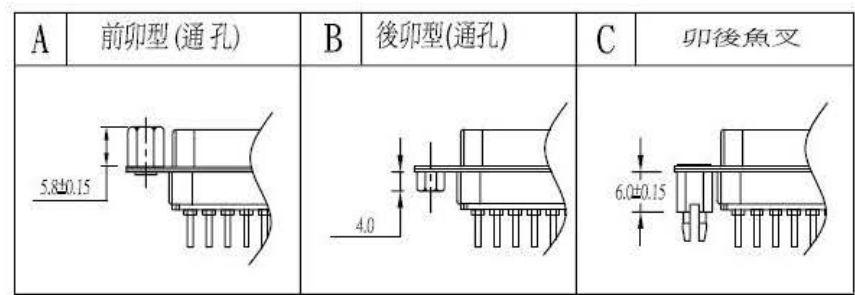
ROHS

- Note:
- Material:
 - Insulator: High temperature thermoplastic with g.f,UL94v-0
 - Contact: Copper alloy,t=0.20mm
 - Shell: Spcc,t=0.30mm
 - Specification:
 - Current rating: 1 A Max.
 - Dielectric withstanding voltage: 750 V(ac) for 1 min.
 - Contact resistance: 30 mW Max.
 - Insulation resistance: 1000 MW Min.
 - Total mating force: 7.0 Kgf Max.
 - Total unmating force: 1.5 Kgf Min.
 - Temperature range: -55°C~85°C

PART NO	A±0.25	B±0.20	C±0.20	D±0.20	E±0.30	F±0.25	G±0.25	H±0.05	I±0.10	J±0.25	K±0.25
DIP-09S	30.81	24.99	16.33	7.9	16.8		12.55	2.77	2.84		
DIP-15S	39.25	33.32	24.66	7.9	16.8		12.55	2.77	2.84		
DIP-25S	53.04	47.04	38.38	7.9	16.8		12.55	2.77	2.84		
DIP-37S	69.50	63.50	54.84	7.9	16.8		12.55	2.77	2.84		



PC BOARD LAYOUT



UNLESS TOLERANCE	GENERAL	ANGLE	DRAW BY:	Ray	<h1>FLYiNG</h1>
	X ± 0.25	X' ± 3.0'	DESIGN BY:	Jack	
X ± 0.15	X' ± 2.0'	CHECK BY:	Dragon	PAPT NO:	
XX ± 0.10	XX' ± 1.0'	APPROVE BY:	Bob	ITEM :	
XXX ± 0.05	XXX' ± 0.5'	SCALE	SHEET	UNIT	D-Sub Vertical P.C.B. DIP (Female)
		3 : 1	1 / 1	MM	DRW NO:
					REV: A1