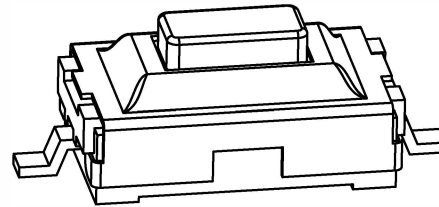
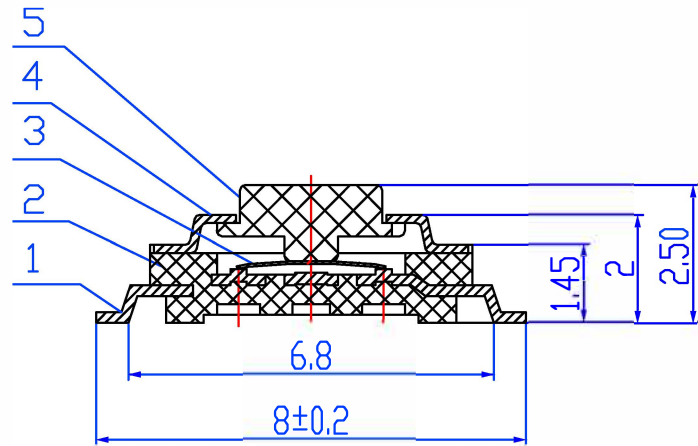


P.C.B Layout

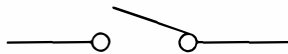
- 1. Rating: 50mA 12VDC
- 2. Contact Resistance : 50mΩ max(initial)
- 3. Insulation Resistance:
100MΩ(minDC 250V)
- 4. Dielectric Strength : AC250V
(50/60Hz for 1minute)
- 5. Travel: 0.25±0.1mm
- 6. General tolerance: ±0.15mm



FBTS-1101-004-(OF)-(RW)-K

Operating force:
2: 1 0±30gf
3: 250±50gf

Stem/Case Color:
R: Red
W: White



CIRCUIT DIAGRAM

No.	NAME	MATERIAL	NATIONALITY	QTY'	FINISHING
1	Terminal	Brass	China	1	Silver plating
2	Case	FR52	China	1	White
3	Contact	SUS 301R	Korea	1	Contact side silver plating
4	Cover	SUS 301	China	1	CuSn plating
5	Stem	FR52	China	1	Red



单位	比例	日期	核准	审核	设计绘图	料号	BTS-1101-004-(OF)-(RW)-K	页数	
mm	1:1	2010-08-04	Jason	William	Euni	品名	Tact Switch		
汎翊國際有限公司							图号	FBTS-1101-004-(OF)-(RW)-K	版本

1

2

3

4

5