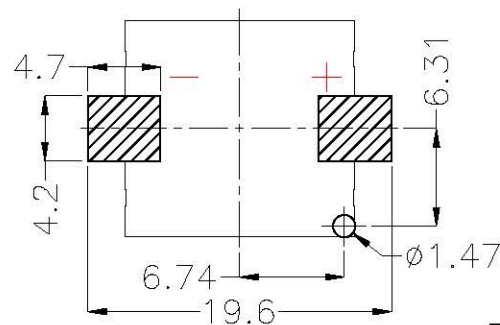
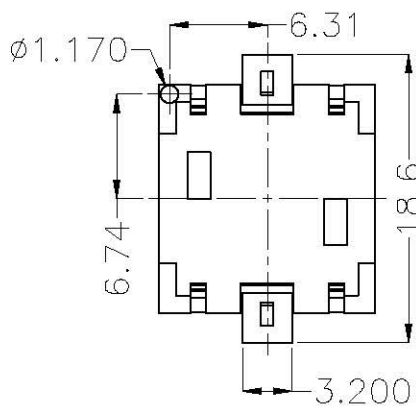
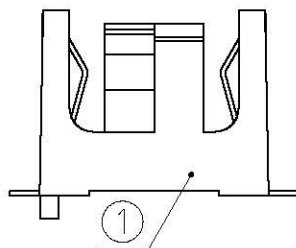
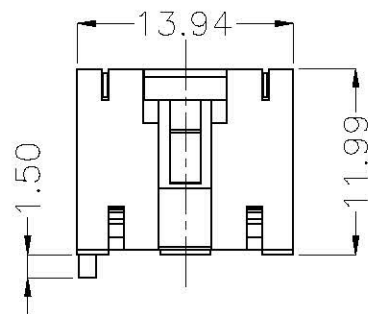
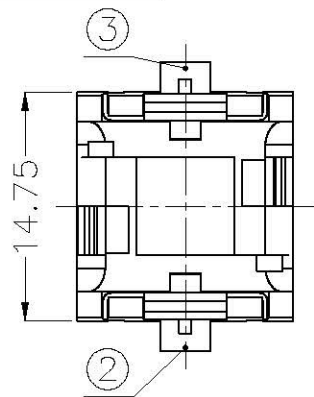




REV.	ECN NO.	REVISED	DATE



PCB Layout Diagram
Top View

- 1.MATERIAL:
a.HOUSING:PPA
b.CONTACT:C5191
(SURFACE PLATING:Au1u")
SEE ORDERING INFORMATION
- 2.ELECTRIC:
a.CONTACT RESISTANCE: 30 MILLIOHMS MAX
b.INSULATION RESISTANCE: 100 MEGA OHMS MIN
c.DIELECTNIC VOLTAGE: 500V AC ONE MINUTE
d.OPERATING TEMPERATURE: -25°C~ +85°C

ORDERING INFORMATION

F-09-B2BA001

电池座系列
BS-09系列
SMT 180° TYPE

PLATING:
A-Au1U"
J-Ni100U"~120U"
K-Sn100U"~120U"

MATERIAL:
1A-PBT BLACK
1B-PA66 BLACK
2A-PPA BROWN
2B-PPA BLACK
3A-PPS BROWN
3B-PPS BLACK
4A-LCP WHITE
4B-LCP BLACK



3	TERMINAL(-)	1	PHOSPHOR BRONZE, T=0.30mm	Gold Plating and Ni Under-Plating
2	TERMINAL(+)	1	PHOSPHOR BRONZE, T=0.30mm	Gold Plating and Ni Under-Plating
1	HOUSING	1	PPA	BLACK
NO.	PART NAME	Q'TY	MATERIAL	PLATING & COLOR

UNLESS OTHERWISE SPECIFIED TOLERANCES		FLYiNG 汎翊國際有限公司 www.flying1688.com			
DECIMALS: X :±0.30 X.X :±0.25 X.XX :±0.20 X.XXX :±0.10	ANGLES: X :±1° X.X :±0.5°	DSND	HuangLieQing	DATE	2024-01-10
		CHKD	ZhouRuicai	DATE	2024-01-10
		APVD	XueShunyang	DATE	2024-01-10
WEIGHT: 1.91g		SCALE: 2:1		SIZE: A4	VIEW:
SHEET 1 OF 1		UNIT: mm	REV.: A/0	OBJECT: MY	TITLE: BS-2AG13-9 SMT
				PART NO.:	F-09-B2BA001
				DRAW NO.:	MY-CP-0033