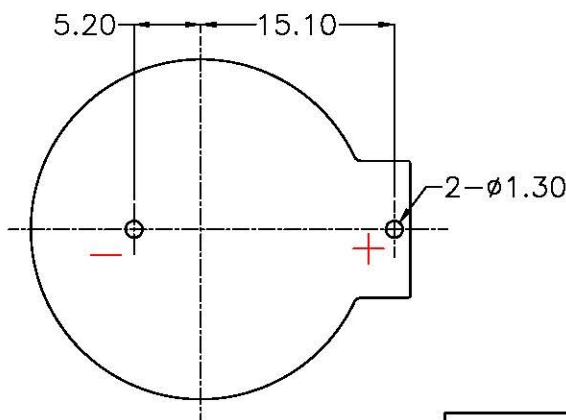
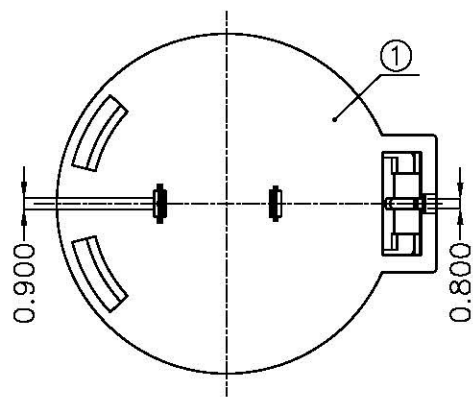
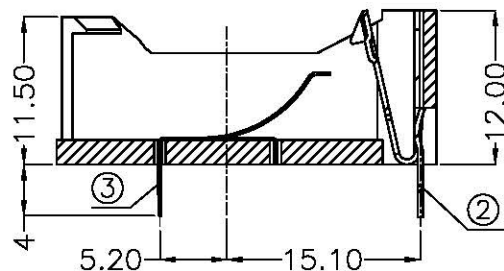
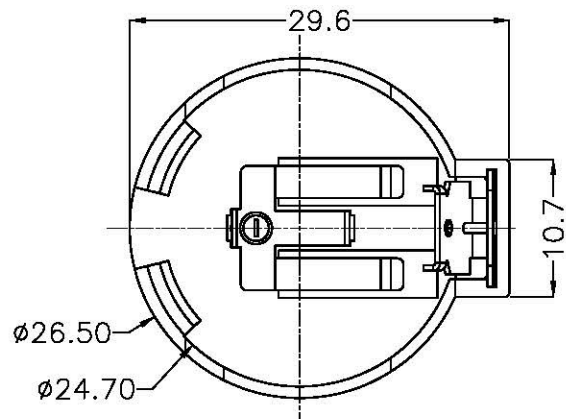




REV.	ECN NO.	REVISED	DATE



PCB Layout Diagram
Top View

NOTE:

1.MATERIAL:
a.HOUSING:PBT
b.CONTACT:PHOSPHOR BRONZE
(SURFACE PLATING: Ni100u"-120u")
SEE ORDERING INFORMATION

2.ELECTRIC:
a.CONTACT RESISTANCE: 30 MILLIOHMS MAX
b.INSULATION RESISTANCE: 1000 MEGA OHMS MIN
c.DIELECTNIC VOLTAGE: 500V AC ONE SEC LEVEL
d.OPERATING TEMPERATURE: -25°C ~ +85°C

ORDERING INFORMATION

F-24-A***008

電池座系列

F-24系列

DIP 90° TYPE

PLATING:
A-Au1U"
J-Ni100U"~120U"
K-Sn100U"~120U"

MATERIAL:
1A-PBT BLACK
1B-PA66 BLACK
2A-PPA BROWN
2B-PPA BLACK
3A-PPS BROWN
3B-PPS BLACK
4A-LCP WHITE
4B-LCP BLACK



3	TERMINAL(-)	1	PHOSPHOR BRONZE,T=0.20mm	Ni Plating
2	TERMINAL(+)	1	PHOSPHOR BRONZE,T=0.40mm	Ni Plating
1	HOUSING	1	PBT	BLACK
NO.	PART NAME	Q'TY	MATERIAL	PLATING & COLOR

UNLESS OTHERWISE SPECIFIED TOLERANCES		FLYING 汎翊國際有限公司 INTERNATIONAL			
DECIMALS: X :±0.30 X.X :±0.25 X.XX :±0.20 X.XXX :±0.10	ANGLES: X :±1° X.X :±0.5°	DSND	YangFeng	DATE	2017-07-17
		CHKD	ZhouRuicai	DATE	2017-07-17
		APVD	XueShun Yong	DATE	2017-07-17
WEIGHT: 3.2g		SCALE: 2:1	SIZE: A4	VIEW:	
SHEET 1 OF 1		UNIT: mm	REV.: A/0	OBJECT: MY	DRAW NO.:MY-CP-0039
		TITLE:		F-2477-1 DIP	
		PART NO.:		F-24-A1AJ008	