



REV.	ECN NO.	REVISED	DATE

NOTE:

1.MATERIAL:

- a.HOUSING:PA66
- b.CONTACT:PHOSPHOR BRONZE  
(SURFACE PLATING: Sn 100u"-120u")  
SEE ORDERING INFORMATION

2.ELECTRIC:

- a.CONTACT RESISTANCE: 30 MILLIOHMS MAX
- b.INSULATION RESISTANCE: 1000 MEGA OHMS MIN
- c.DIELECTNIC VOLTAGE: 500V AC ONE SEC LEVEL
- d.OPERATING TEMPERATURE: -25°C~ +85°C

ORDERING INFORMATION

F -24-A\*\*\*002

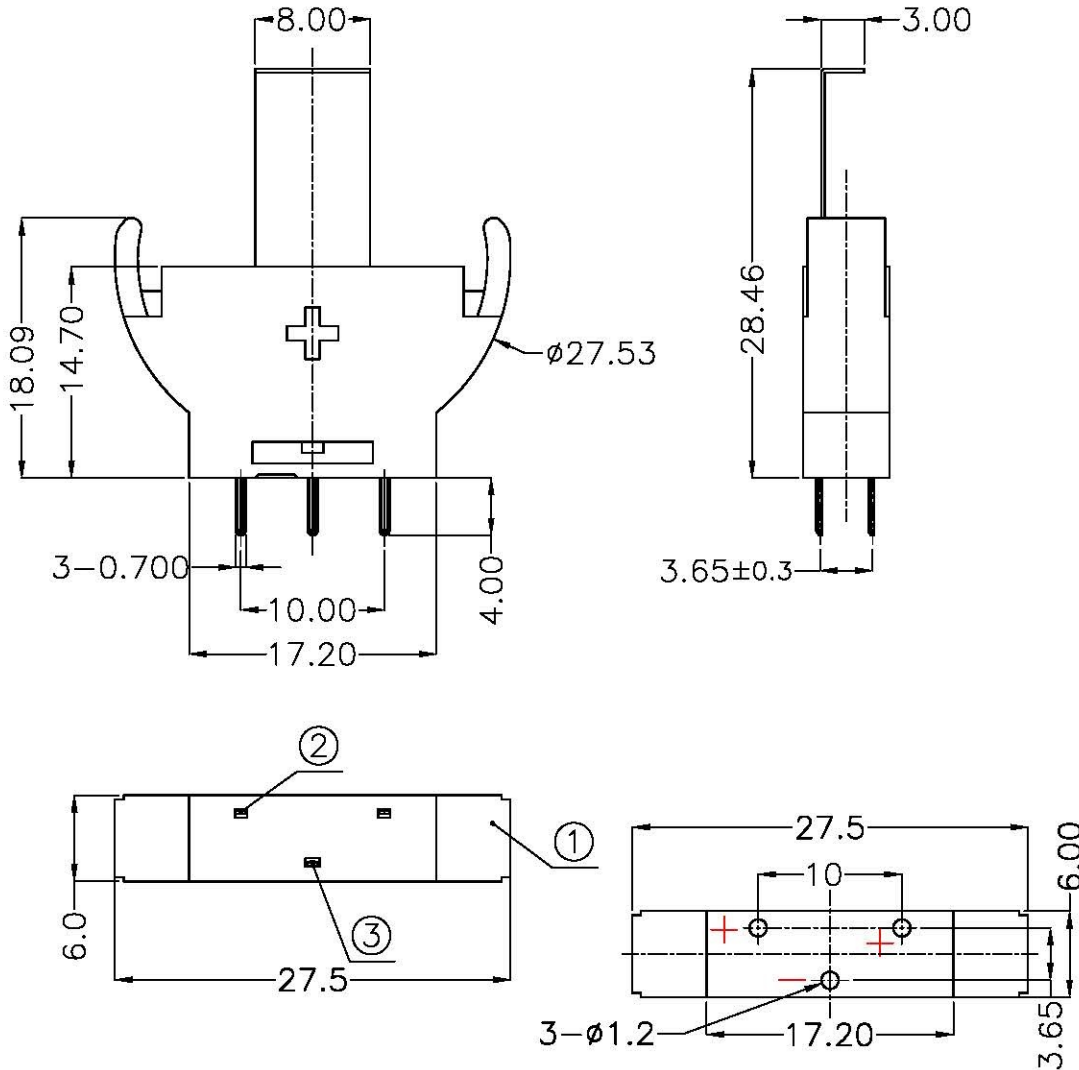
電池座系列

F-24系列

DIP 90° TYPE

PLATING:  
A-Au1U"  
J-Ni100U"~120U"  
K-Sn100U"~120U"

MATERIAL:  
1A-PBT BLACK  
1B-PA66 BLACK  
2A-PPA BROWN  
2B-PPA BLACK  
3A-PPS BROWN  
3B-PPS BLACK  
4A-LCP WHITE  
4B-LCP BLACK



PCB Layout Diagram  
Top View

3	TERMINAL(-)	1	PHOSPHOR BRONZE,T=0.25mm	Sn Plating
2	TERMINAL(+)	1	PHOSPHOR BRONZE,T=0.25mm	Sn Plating
1	HOUSING	1	PA66	BLACK
NO.	PART NAME	Q'TY	MATERIAL	PLATING & COLOR

UNLESS OTHERWISE SPECIFIED TOLERANCES		FLYING 汎翊國際有限公司 INTERNATIONAL			
DECIMALS: X :±0.30 X.X :±0.25 X.XX :±0.20 X.XXX :±0.10	ANGLES: X :±1° X.X :±0.5°	DSND	YangFeng	DATE	2017-07-16
		CHKD	ZhouRuicai	DATE	2017-07-16
		APVD	XueShunong	DATE	2017-07-16
WEIGHT: 2.35g		SCALE: 2:1	SIZE: A4	VIEW:	TITLE: F-2430-2 Sn DIP
SHEET 1 OF 1		UNIT: mm	REV.: A/0	OBJECT: MY	PART NO.: F-24-A1BK002
					DRAW NO.:MY-CP-0040