



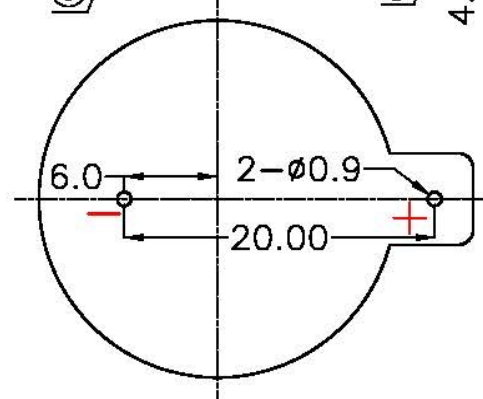
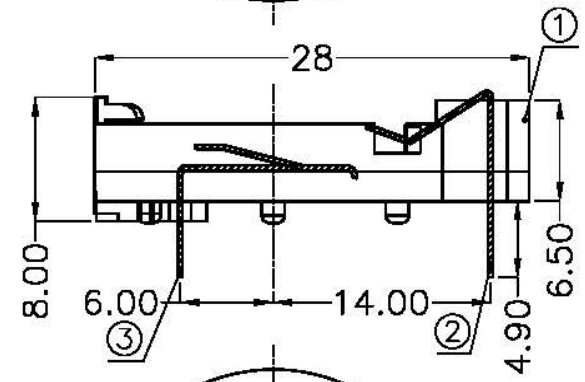
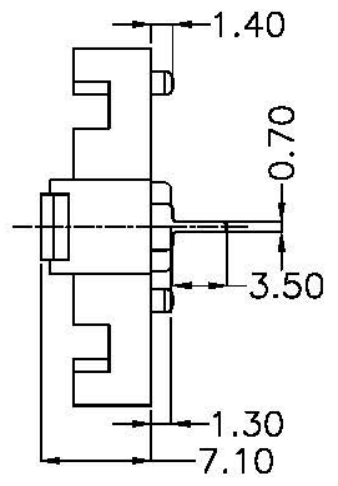
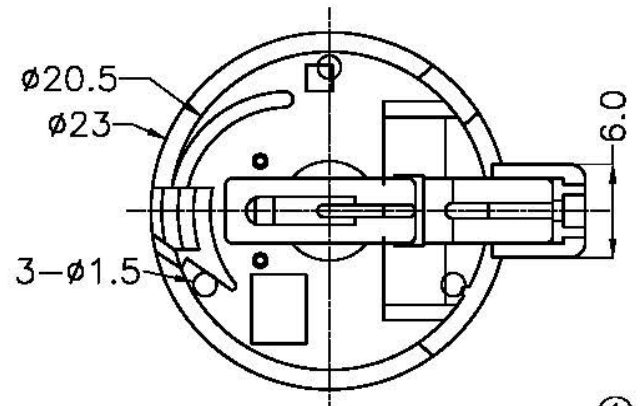
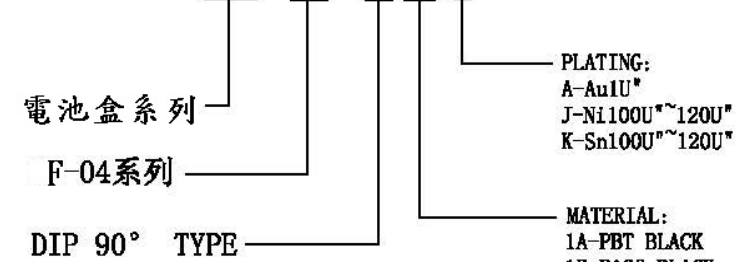
REV.	ECN NO.	REVISED	DATE

NOTE:  
 1.MATERIAL:  
 a.HOUSING:PBT  
 b.CONTACT:BRASS  
 (SURFACE PLATING: Sn100u"-120u")  
 SEE ORDERING INFORMATION

2.ELECTRIC:  
 a.CONTACT RESISTANCE: 30 MILLIOHMS MAX  
 b.INSULATION RESISTANCE: 1000 MEGA OHMS MIN  
 c.DIELECTNIC VOLTAGE: 500V AC ONE SEC LEVEL  
 d.OPERATING TEMPERATURE: -25°C~ +85°C

ORDERING INFORMATION

F-04-A\*\*\*001



PCB Layout Diagram  
Top View

NO.	PART NAME	Q'TY	MATERIAL	PLATING & COLOR
3	TERMINAL(-)	1	BRASS, T=0.30mm	Sn Plating
2	TERMINAL(+)	1	BRASS, T=0.30mm	Sn Plating
1	HOUSING	1	PBT	BLACK

UNLESS OTHERWISE SPECIFIED TOLERANCES		FLYING 汎翊國際有限公司 INTERNATIONAL			
DECIMALS: X .:±0.30 X.X :±0.25 X.XX :±0.20 X.XXX :±0.10	ANGLES: X :±1' X.X :±0.5'	DSND	YangFeng	DATE	2017-12-14
		CHKD	ZhouRuicai	DATE	2017-12-14
		APVD	XueShunyang	DATE	2017-12-14
WEIGHT: 1.8g		SCALE: 2:1	SIZE: A4	VIEW:	TITLE: F-2032-4-1 DIP
SHEET 1 OF 1		UNIT: mm	REV.: A/0	OBJECT: MY	PART NO.: F-04-A1AK001
					DRAW NO.:WD-CP-0015