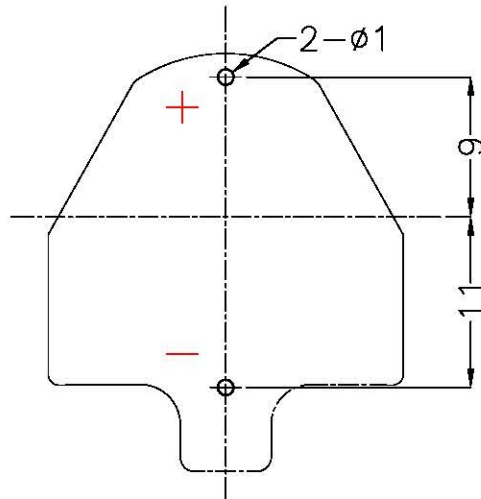
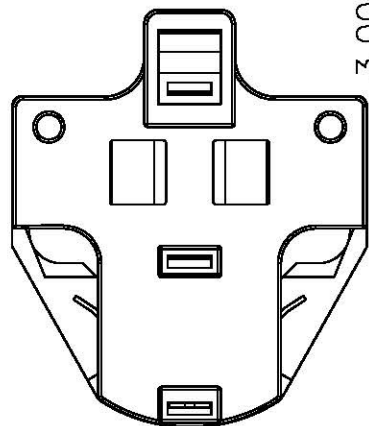
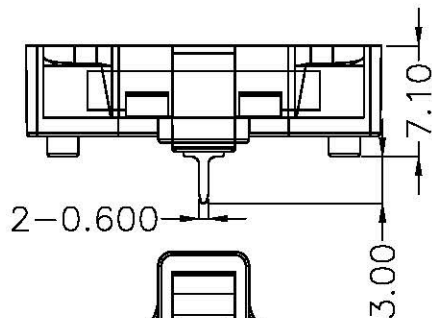
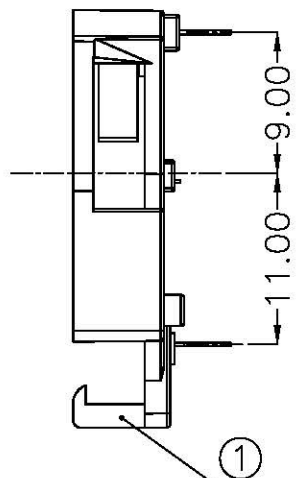
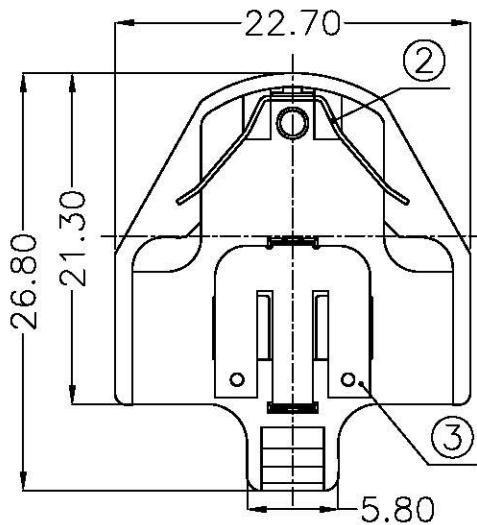




REV.	ECN NO.	REVISED	DATE



PCB Layout Diagram
Top View

NOTE:

- 1.MATERIAL:
 - a.HOUSING:PA66
 - b.CONTACT:PHOSPHOR BRONZE
(SURFACE PLATING: Sn 100u"-120u")
- 2.ELECTRIC:
 - a.CONTACT RESISTANCE: 30 MILLIOHMS MAX
 - b.INSULATION RESISTANCE: 1000 MEGA OHMS MIN
 - c.DIELECTNIC VOLTAGE: 500V AC ONE SEC LEVEL
 - d.OPERATING TEMPERATURE: -25°C~ +85°C

ORDERING INFORMATION

F-08-A*023**

電池盒系列

F-08系列

SMT 180° TYPE

PLATING:
A-Au1U"
J-Ni100U"~120U"
K-Sn100U"~120U"

MATERIAL:
1A-PBT BLACK
1B-PA66 BLACK
2A-PPA BROWN
2B-PPA BLACK
3A-PPS BROWN
3B-PPS BLACK
4A-LCP WHITE
4B-LCP BLACK



3	TERMINAL(-)	1	PHOSPHOR BRONZE, T=0.20mm	Sn Plating
2	TERMINAL(+)	1	PHOSPHOR BRONZE, T=0.30mm	Sn Plating
1	HOUSING	1	PA66	BLACK
NO.	PART NAME	Q'TY	MATERIAL	PLATING & COLOR

UNLESS OTHERWISE SPECIFIED TOLERANCES		FLYING INTERNATIONAL		汎翊國際有限公司	
DECIMALS: X :±0.30 X.X :±0.25 X.XX :±0.20 X.XXX :±0.10	ANGLES: X :±1° X.X :±0.5°	DSND	YangFeng	DATE	2017-07-15
WEIGHT: 1.43g		CHKD	ZhouRuicai	DATE	2017-07-15
SHEET 1 OF 1		APVD	XueShunyang	DATE	2017-07-15
TITLE:		SCALE: 2:1		SIZE: A4	VIEW:
PART NO.:		UNIT: mm	REV.: A/0	OBJECT: MY	DRAW NO.:MY-CP-0017
F-2032-8-3 DIP					
F-08-A1BK023					