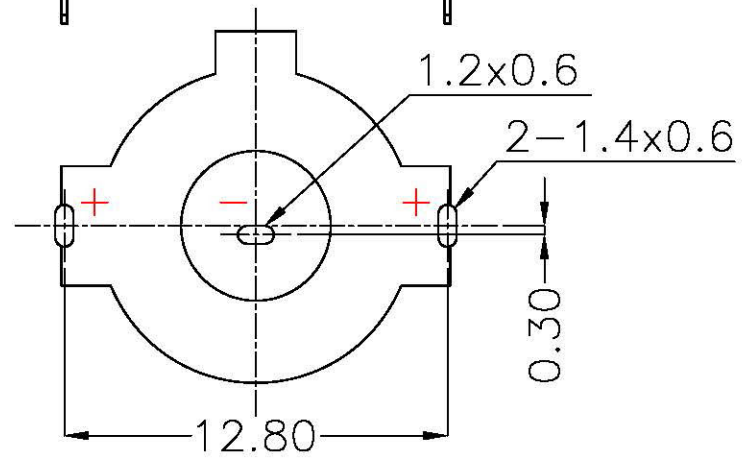
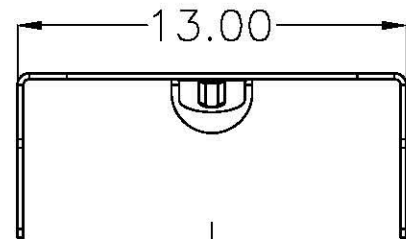
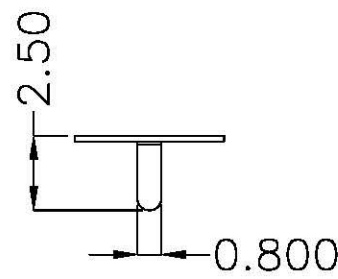
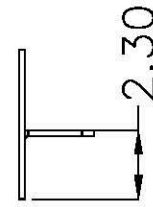
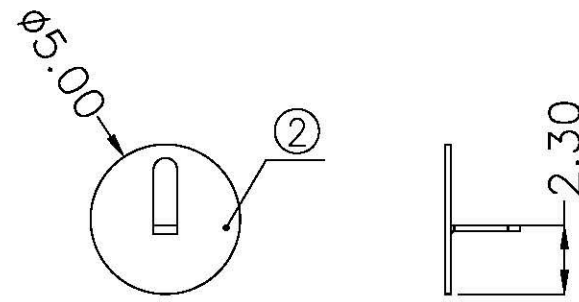
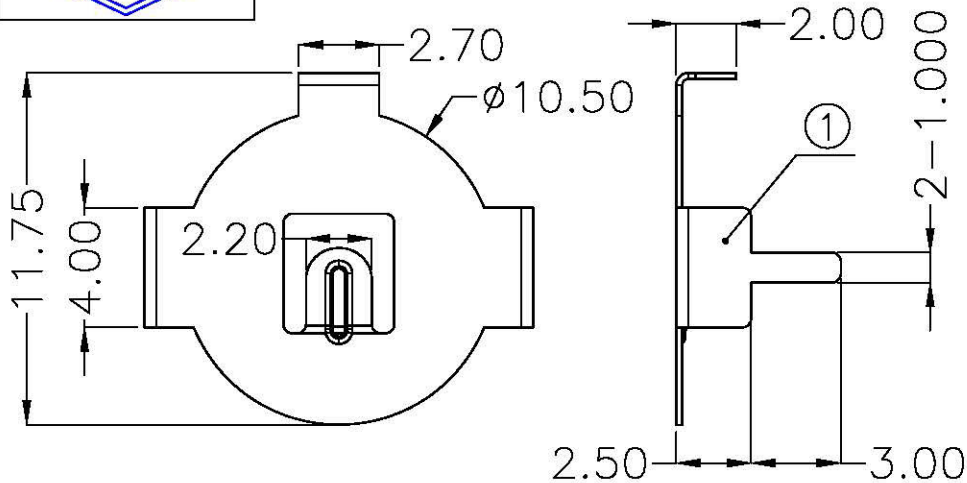




A型

REV.	ECN NO.	REVISED	DATE



工程部  
2017-07-19  
ZW DANG

PCB Layout Diagram  
Top View

UNLESS OTHERWISE SPECIFIED TOLERANCES		FLYING INTERNATIONAL			
DECIMALS: X :±0.30 X.X :±0.25 X.XX :±0.20 X.XXX :±0.10	ANGLES: X :±1° X.X :±0.5°	DSND	YangFeng	DATE	2017-07-19
WEIGHT:2.8g		CHKD	ZhouRuicai	DATE	2017-07-19
SHEET 1 OF 1		APVD	XueShunyong	DATE	2017-07-19
TITLE:		SCALE:	4:1	SIZE:	A4
PART NO.:		VIEW:			
DRAW NO.:MY-CP-0094		UNIT:	mm	REV.:	A/0
OBJECT:		MY			

NO.	PART NAME	Q'TY	MATERIAL	PLATING & COLOR
2	TERMINAL(-)	1	Mn Steel, T=0.20mm	Ni-Plating
1	TERMINAL(+)	1	PHOSPHOR BRONZE, T=0.20mm	Ni-Plating