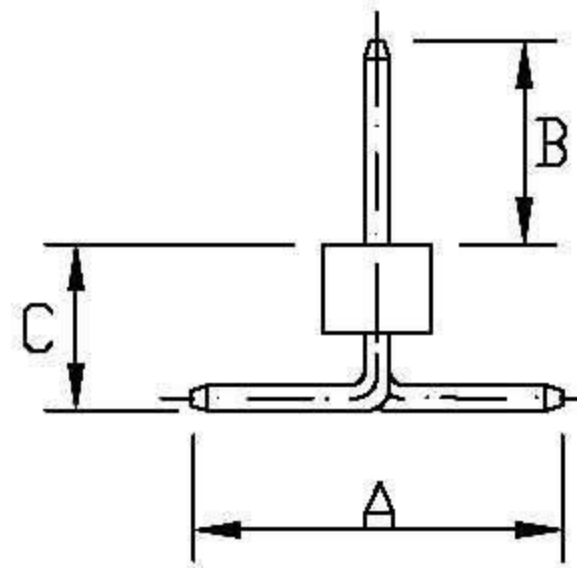
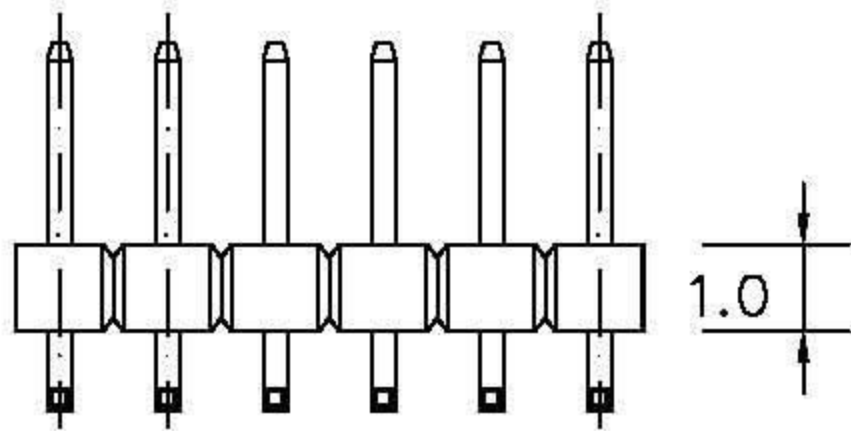


RECOMMENDED P.C.B LAYOUT



A: _____ mm B: _____ mm C: _____ mm

MATERIAL

HOUSING : THERMOPLASTIC UL94V-0
CONTACT : COPPER ALLOYS

SPECIFICATION

CURRENT: 1A
OPERATING TEMPERATURE: -40°C TO +105°C
CONTACT RESISTANCE : 20 MILLIOHMS MAX
INSULATION RESISTANCE : 5000 MEGAOHMS MIN
WITHSTANDING VOLTAGE : AC 500V RMS

CONTACTS	1X26
1X2	1X27
1X3	1X28
1X4	1X29
1X5	1X30
1X6	1X31
1X7	1X32
1X8	1X33
1X9	1X34
1X10	1X35
1X11	1X36
1X12	1X37
1X13	1X38
1X14	1X39
1X15	1X40
1X16	1X41
1X17	1X42
1X18	1X43
1X19	1X44
1X20	1X45
1X21	1X46
1X22	1X47
1X23	1X48
1X24	1X49
1X25	1X50

比例 (SCALE)	FREE	繪圖 (DRAW)	Tina
單位 (UNIT)	MM	審核 (CHECK)	/ /
一般公差 (TOLERANCE)		承認 (AP" E)	/ /
.0=±0.38 .00=±0.25 ANG=±5°		投影法 PROJECTION	第三角

FLYiNG
INTERNATIONAL

圖名 (NAME) :	PIN HEADER 1.0 SMD
料號 (PART NO)	115-1XX4-XXXX
圖號 (DRAW NO)	1.0-SMD