

CERAMIC TRIMMER CAPACITOR 06 SERIES

These rotary ceramic trimmer capacitors are designed to have high electrical performances which utilize a high quality ceramic dielectrics and are ideal for PCB dip mounting.

□ Features

1. Color coded case permits easy identification.
2. Sealed construction prevents the penetration of Flux and Dust.
3. Wide range of nominal capacitance.

□ Applications

- VCRS, LD players, CTV sets
- Car audio system, Car clocks
- Radio cassette tape Recorders, Stereos
- Cordless telephones, Transceivers
- Personal computers, Video games, Facsimiles

□ Characteristics

- ◆ Working Voltage : 100V DC
- ◆ Withstand Voltage : 220V DC
- ◆ Insulation Resistance : 10⁴ MΩmin.at100VDC
- ◆ Turning Torque : 20 to 150 gf-cm
- ◆ Operating Temperature : -25 o C to + 85 oC

□ Parts Numbering

VC06 R (A,B,F) 10
 1 1 2 3 4

1. Ceramic trimmer capacitor VC06 Series
2. R: Plastic Case
3. Terminal type (A:Normal Type ; B:Rear Type ; F:Forming Type)
4. Nominal Capacitance Value

□ Ratings

PARTS NO.	Capacitance (pF)		Temp. Coefficient (ppm/°C)	Q Factor (At@1MHz,Cmax.)	Color Code
	Min.(Less Than)	Max.(More Than)			
VC06R(A,B,F)030	1.2	3.0	NPO ± 250	300 min	BLACK
VC06R(A,B,F)050	2.0	5.0	NPO ± 250	300 min	BLUE
VC06R(A,B,F)100	3.0	10.0	NPO ± 250	300 min	WHITE
VC06R(A,B,F)200	4.2	20.0	N450 ± 300	300 min	RED
VC06R(A,B,F)300	6.2	30.0	N750 ± 300	300 min	GREEN
VC06R(A,B)400	7.0	40.0	N1200 ± 500	200 min	YELLOW
VC06R(A,B)500	9.8	50.0	N2000 ± 500	200 min	BROWN
VC06R(A,B)700	12.0	70.0	N2000 ± 500	200 min	BROWN
VC06R(A,B)900	20.0	90.0	N2200 ± 500	200 min	BLK & BRN
VC06R(A,B)121	25.0	120.0	N2200 ± 500	200 min	BLK & BRN

□ Packing

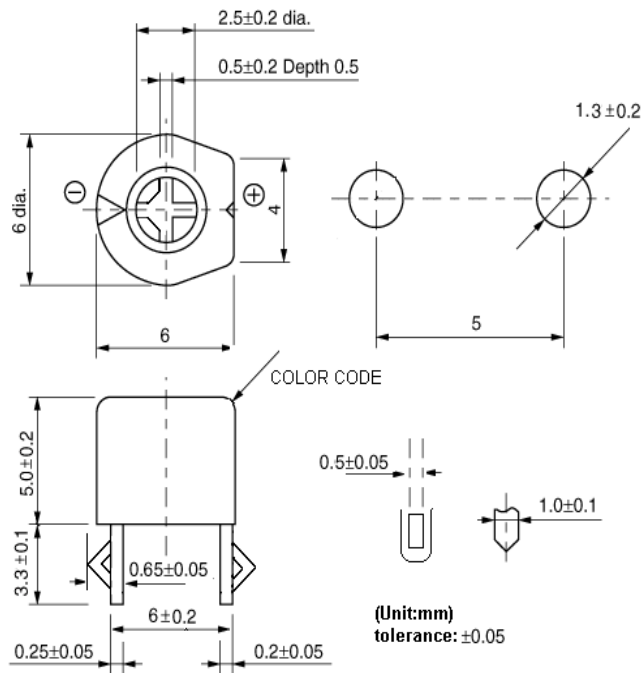
500 pcs/bag ; 5000 pcs/ inner box

CERAMIC TRIMMER CAPACITOR 06 SERIES

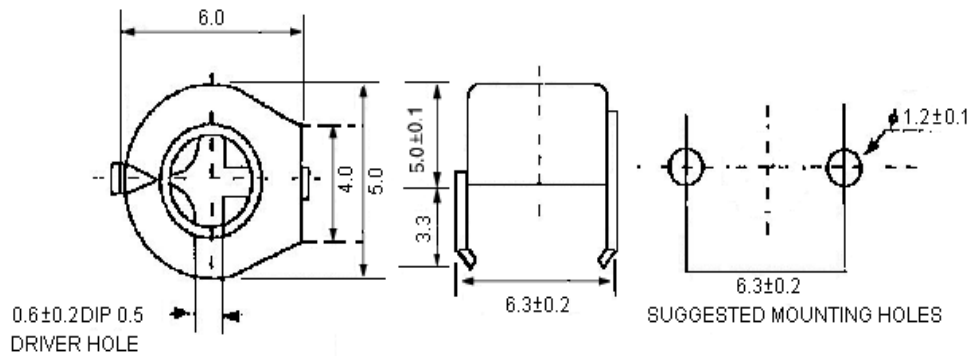
These rotary ceramic trimmer capacitors are designed to have high electrical performances which utilize a high quality ceramic dielectrics and are ideal for PCB dip mounting.

□ Shape and Dimensions

VC06RA



VC06RF



VC06RB

