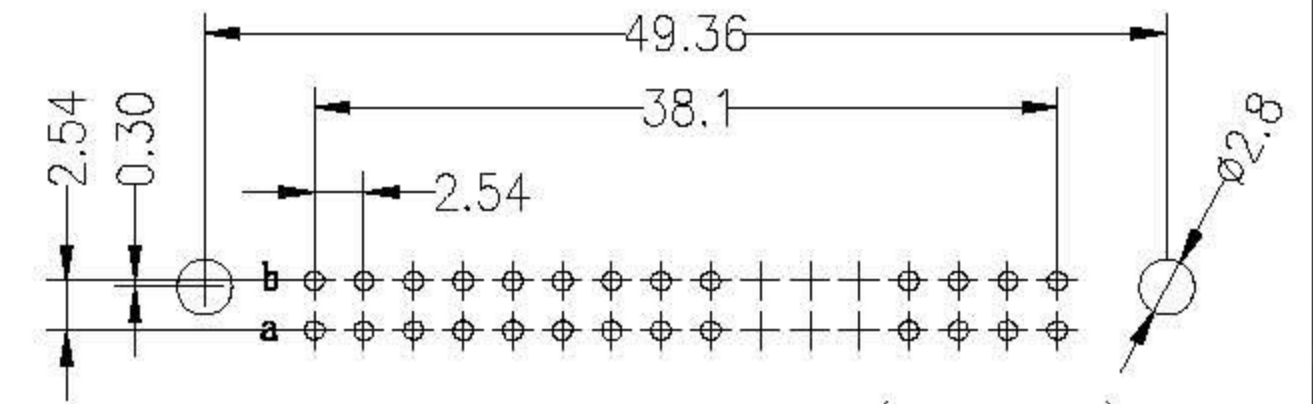




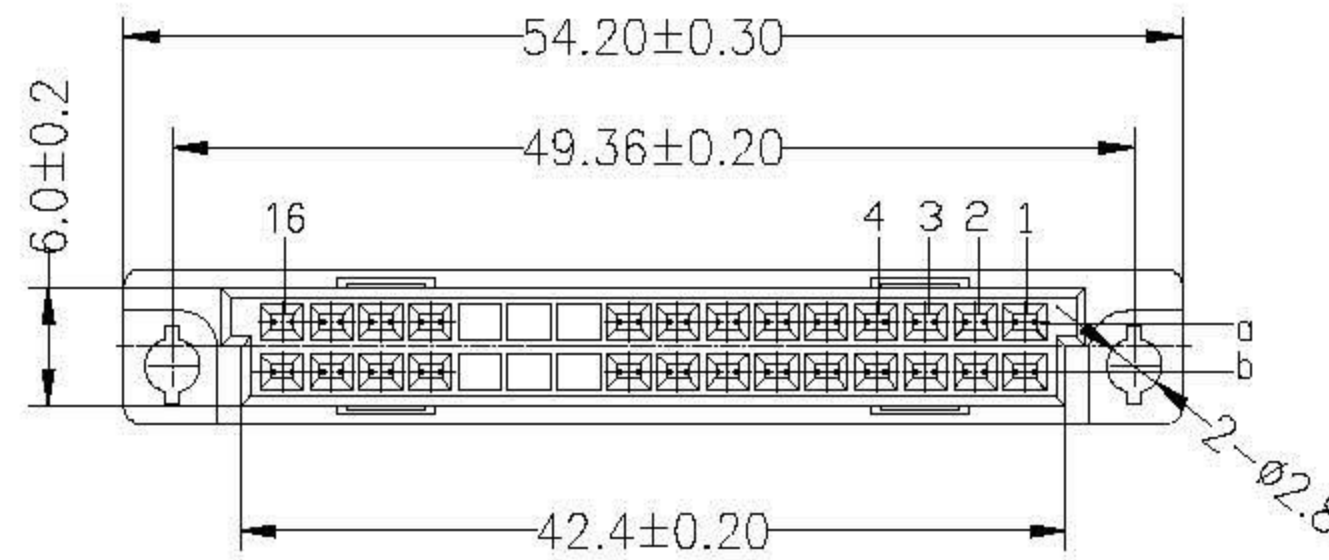
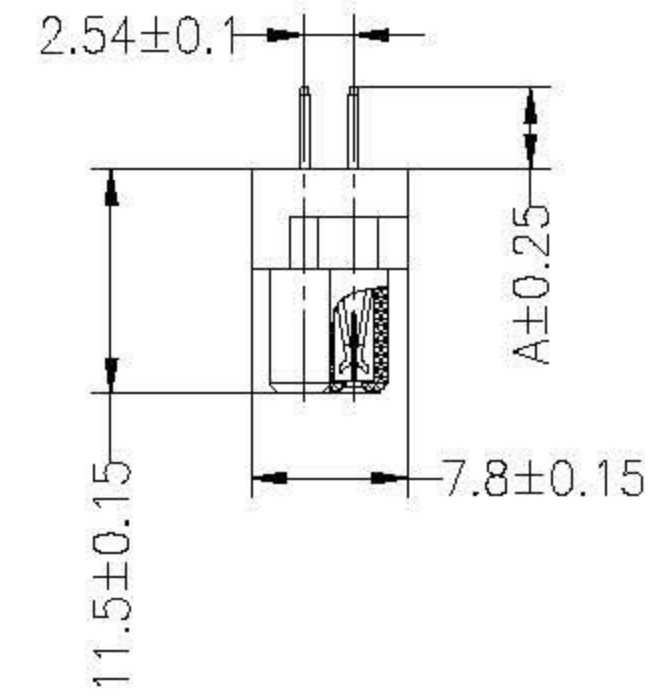
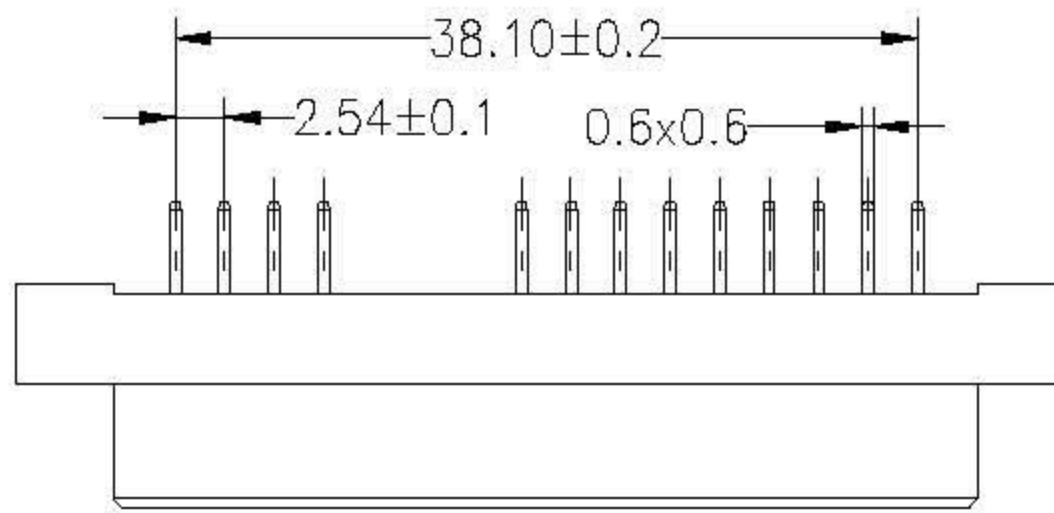
SPECIFICATIONS

Rated Current:3.0AMP
 Contact Resistance:30mΩ Max
 Withstand Voltage:1000V AC/DC
 Insulation Resistance:1000MΩ Min
 Operation Temperature:-40°C to +105°C

Contact Material:Brass
 Contact Plating:Au or Sn Over Ni
 Insulator Material:Polyester(UL94V-0)
 Standard: PBT
 Max.Processing Temp: 180°C for 30-60 seconds
 (200°C for 10 seconds)



Recommended P.C.B Layout(Top Side)
 (PCB BOARD TOLERANCE±0.05)



注: a排缺第10. 11. 12Pin
 b排缺第10. 11. 12Pin

3511232BFSS0BNA8 母座 180度 2x16P 缺6Pin

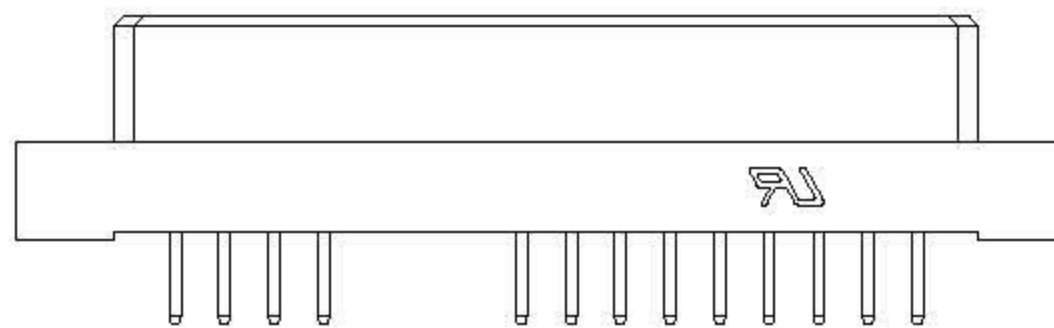
Ordering Information

3511 2 32 B F S S0 B N AX

No.of Pins
32P

Contact Type
F=Female

Contact Plating
 G0:Gold Flash
 S3:10U" Gold
 S4:15U" Gold
 S5:30U" Gold
 S0:Gold Flash/Tin
 SN:Tin



Dimension antitheses list	
ITEM	A
Standard	4.00
Alternate	

				OPERATION		DRAW	yiyusheng	20.03.16	SCALE	FIT			
				X.X	±0.30				UNIT	mm			
				X.XX	±0.20	CHECK	SIZE	A4	PART NO.	3511232BFSS0BNAX			
				X.XXX	±0.10		SHEET	1/1	TITLE:	欧式插座 母座 180度 232 成品缺PIN			
REV	DATE	MODIFICATION DESCRIPTION	CHANGE	DIM	TOL	APPROVE	PROJ.	客户名称:					