



02N35Z

Power MOSFET

200mA, 350V N-CHANNEL POWER MOSFET

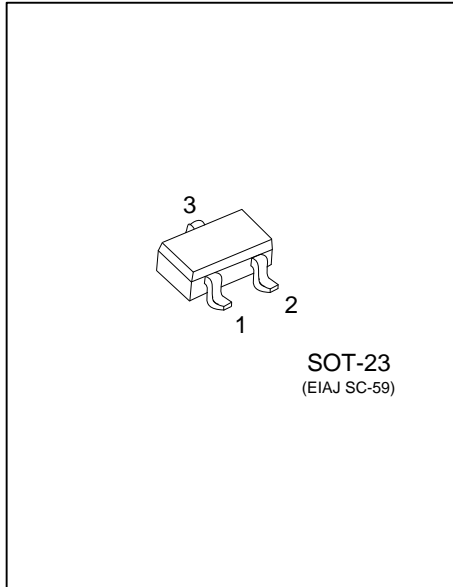
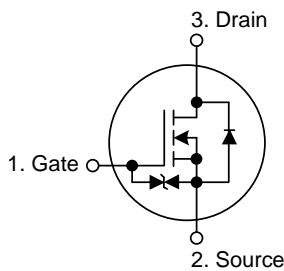
DESCRIPTION

The UTC **02N35Z** is a silicon N-channel MOSFET, it uses UTC's advanced technology to provide the customers with a minimum on state resistance, high switching speed and low gate charge.

FEATURES

- * $R_{DS(ON)} \leq 7.5\Omega$ @ $V_{GS}=10V, I_D=0.1A$
- * $R_{DS(ON)} \leq 8.0\Omega$ @ $V_{GS}=4.5V, I_D=0.1A$
- * High switching speed
- * Low input capacitance

SYMBOL



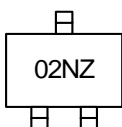
ORDERING INFORMATION

Ordering Number		Package	Pin Assignment			Packing
Lead Free	Halogen Free		1	2	3	
02N35ZL-AE3-R	02N35ZG-AE3-R	SOT-23	G	S	D	Tape Reel

Note: Pin Assignment: G: Gate S: Source D: Drain

02N35ZG-AE3-R	(1)Packing Type	(1) R: Tape Reel
	(2)Package Type	(2) AE3: SOT-23
	(3)Green Package	(3) G: Halogen Free and Lead Free, L: Lead Free

MARKING



■ ABSOLUTE MAXIMUM RATINGS (T_C=25°C, unless otherwise specified)

PARAMETER		SYMBOL	RATINGS	UNIT
Drain-Source Voltage		V _{DSS}	350	V
Gate-Source Voltage		V _{GSS}	±20	V
Drain Current	Continuous	I _D	0.2	A
	Pulsed (Note 2)	I _{DM}	0.4	A
Power Dissipation		P _D	0.3	W
Junction Temperature		T _J	+150	°C
Storage Temperature		T _{STG}	-55 ~ +150	°C

Notes: 1. Absolute maximum ratings are those values beyond which the device could be permanently damaged.

Absolute maximum ratings are stress ratings only and functional device operation is not implied.

2. Repetitive Rating : Pulse width limited by maximum junction temperature.

■ THERMAL DATA

PARAMETER	SYMBOL	RATINGS	UNIT
Junction to Ambient	θ _{JA}	350	°C/W

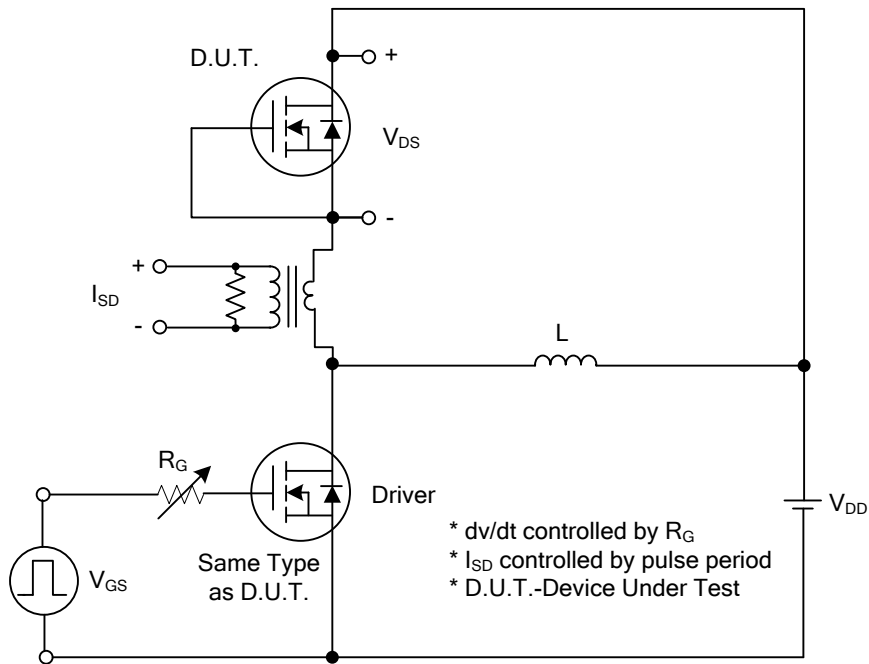
■ ELECTRICAL CHARACTERISTICS (T_J=25°C, unless otherwise specified)

PARAMETER	SYMBOL	TEST CONDITIONS	MIN	TYP	MAX	UNIT
OFF CHARACTERISTICS						
Drain-Source Breakdown Voltage	BV _{DSS}	V _{GS} =0V, I _D =250μA	350			V
Drain-Source Leakage Current	I _{DSS}	V _{DS} =350V, V _{GS} =0V			10	μA
Gate-Source Leakage Current	I _{GSS}	V _{GS} =±20V, V _{DS} =0V			±10	μA
ON CHARACTERISTICS						
Gate Threshold Voltage	V _{GS(TH)}	V _{DS} =V _{GS} , I _D =250μA	1.0		2.5	V
Drain to Source On-state Resistance	R _{DS(ON)}	V _{GS} =10V, I _D =0.1A			7.5	Ω
		V _{GS} =4.5V, I _D =0.1A			8.0	Ω
DYNAMIC PARAMETERS						
Input Capacitance	C _{ISS}	V _{GS} =0V, V _{DS} =25V, f=1.0MHz		97.5		pF
Output Capacitance	C _{OSS}			16		pF
Reverse Transfer Capacitance	C _{RSS}			3.2		pF
SWITCHING PARAMETERS						
Total Gate Charge (Note 1)	Q _G	V _{DS} =280V, V _{GS} =10V, I _D =200mA, I _G =1mA (Note 1, 2)		7.3		nC
Gate Source Charge	Q _{GS}			1.1		nC
Gate Drain Charge	Q _{GD}			0.6		nC
Turn-ON Delay Time (Note 1)	t _{D(ON)}	V _{DD} =100V, V _{GS} =10V, I _D =200mA, R _G =25Ω (Note 1, 2)		2.9		ns
Turn-ON Rise Time	t _R			16.34		ns
Turn-OFF Delay Time	t _{D(OFF)}			21		ns
Turn-OFF Fall-Time	t _F			39.28		ns
SOURCE- DRAIN DIODE RATINGS AND CHARACTERISTICS						
Maximum Continuous Drain-Source Diode Forward Current	I _S				0.2	A
Maximum Pulsed Drain-Source Diode Forward Current	I _{SM}				0.4	A
Drain-Source Diode Forward Voltage (Note 1)	V _{SD}	I _S =200mA, V _{GS} =0V			1.4	V

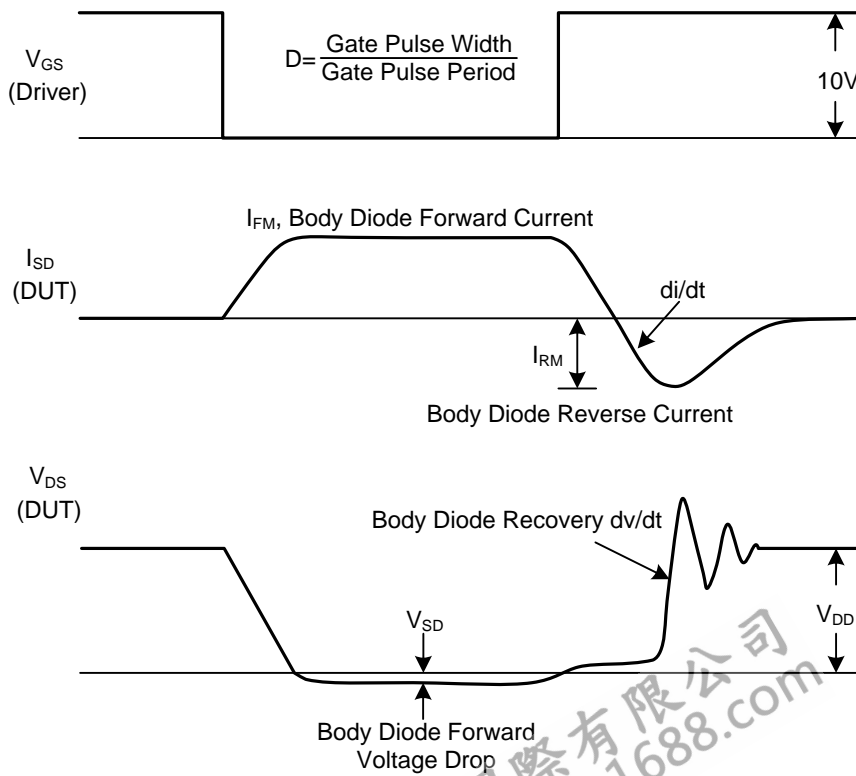
Notes: 1. Pulse Test : Pulse width ≤ 3500μs, Duty cycle ≤ 2%.

2. Essentially independent of operating ambient temperature.

■ TEST CIRCUITS AND WAVEFORMS

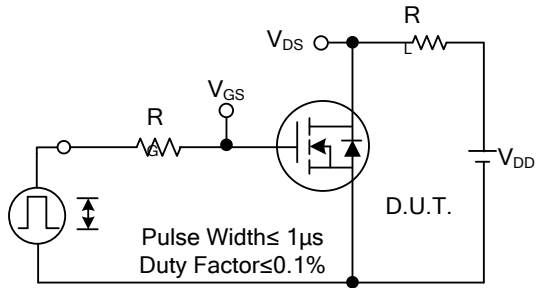


Peak Diode Recovery dv/dt Test Circuit

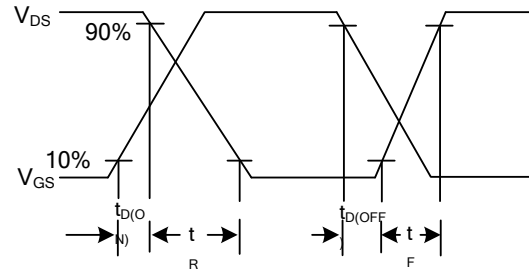


Peak Diode Recovery dv/dt Waveforms

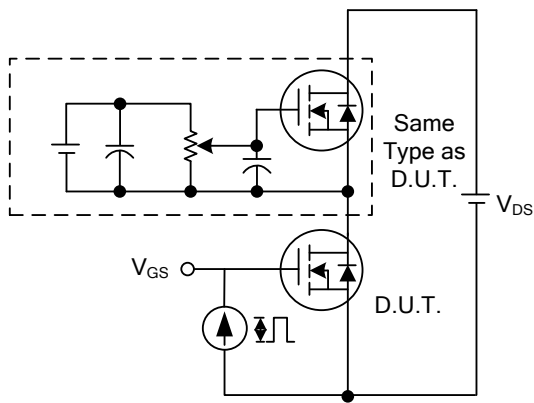
■ TEST CIRCUITS AND WAVEFORMS



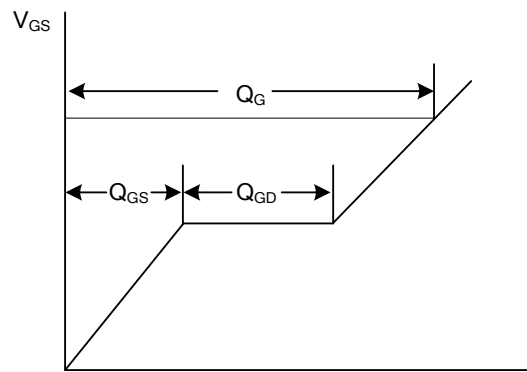
Switching Test Circuit



Switching Waveforms

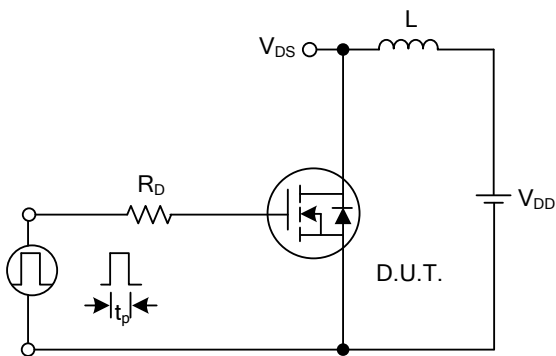


Gate Charge Test Circuit

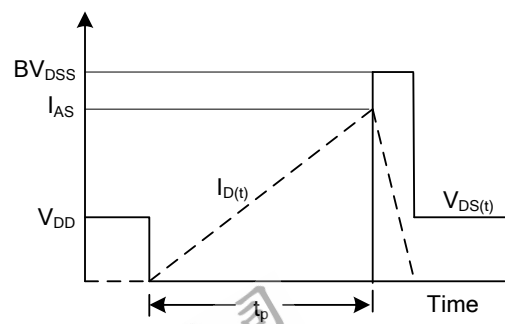


Charge

Gate Charge Waveform

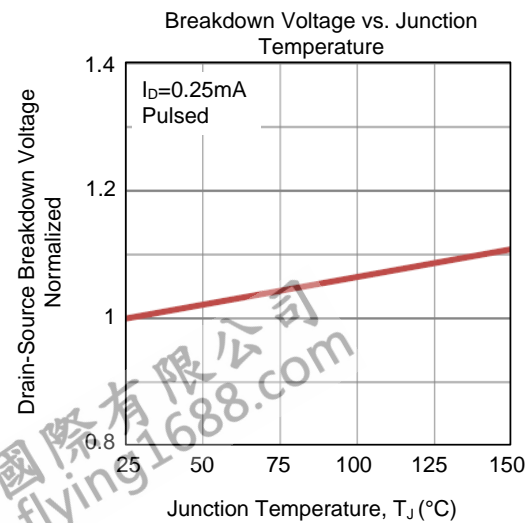
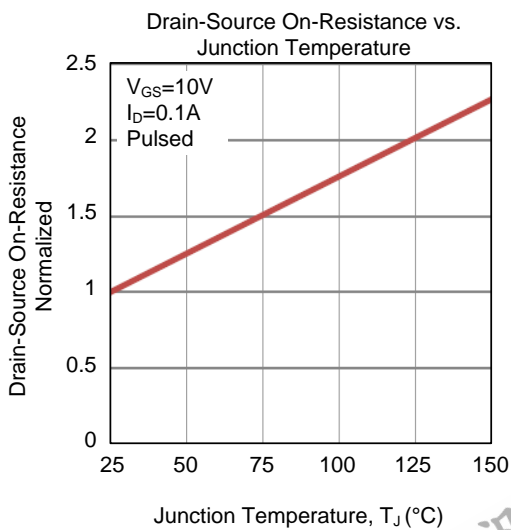
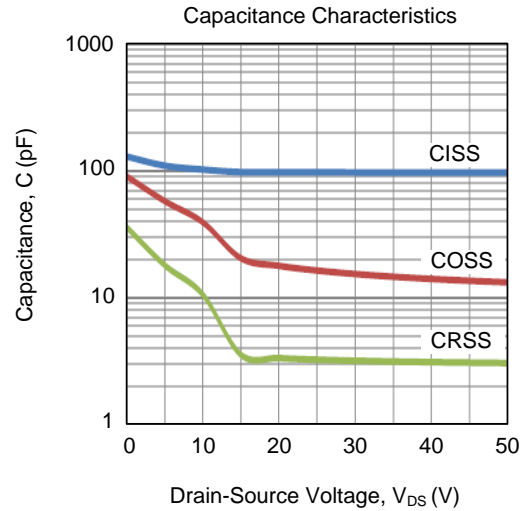
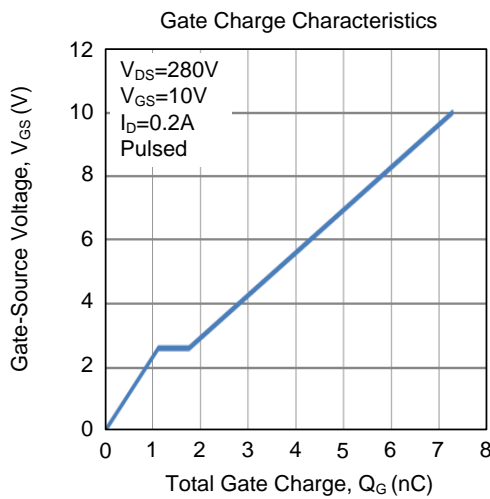
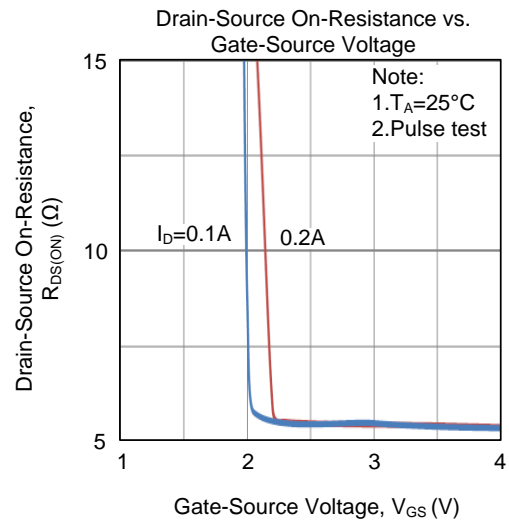
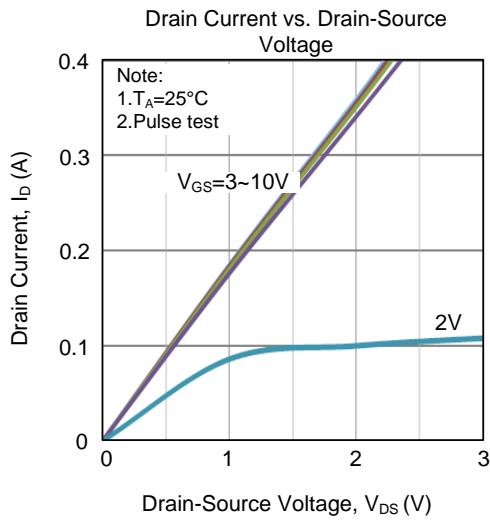


Unclamped Inductive Switching Test Circuit

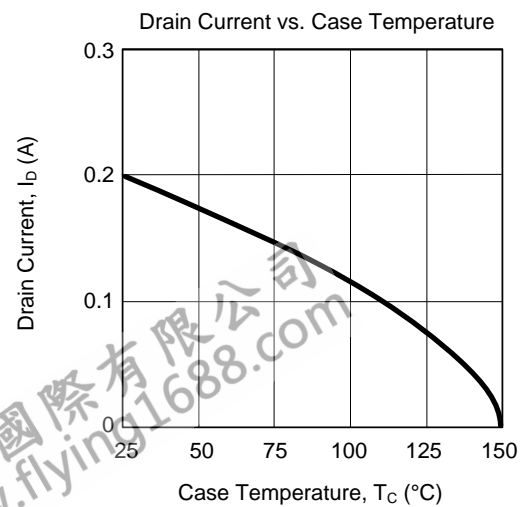
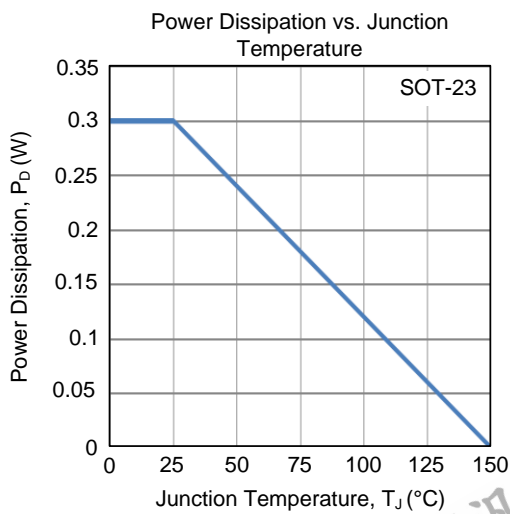
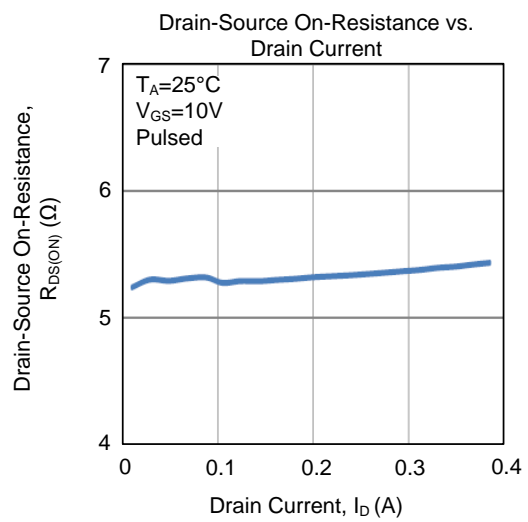
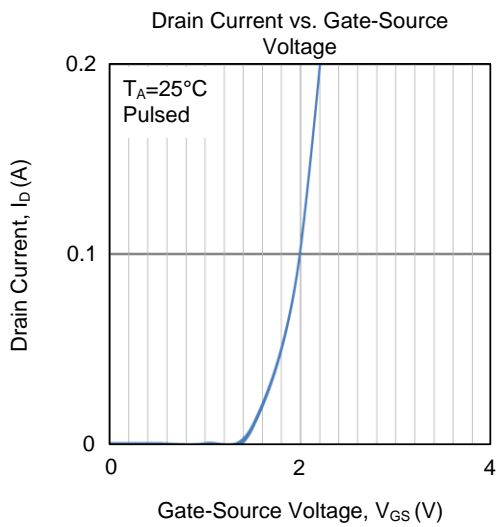
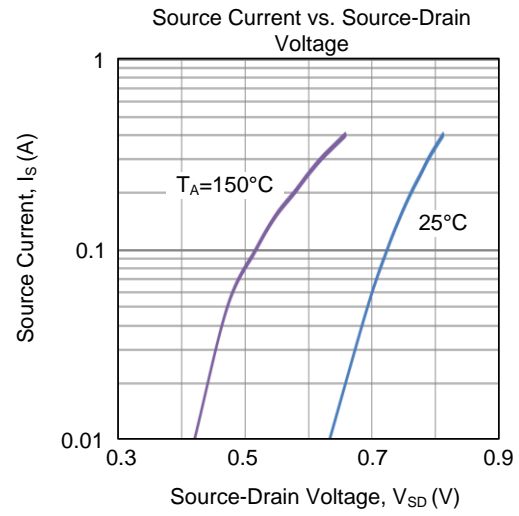
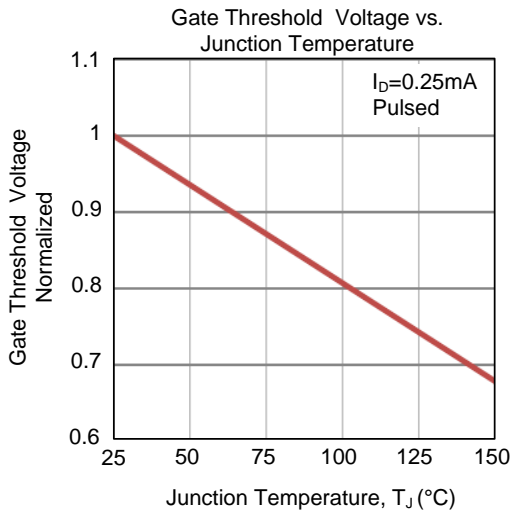


Unclamped Inductive Switching Waveforms

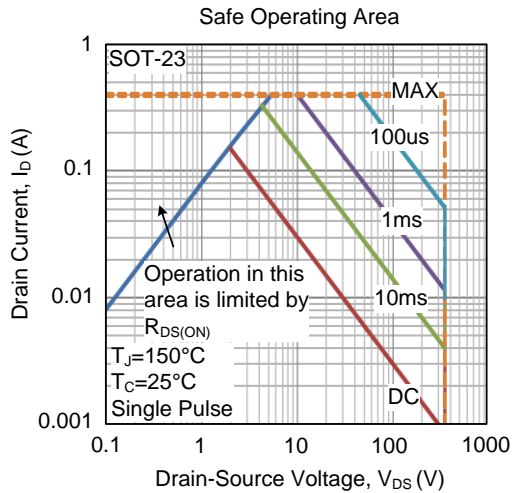
TYPICAL CHARACTERISTICS



■ TYPICAL CHARACTERISTICS (Cont.)



■ **TYPICAL CHARACTERISTICS (Cont.)**



UTC assumes no responsibility for equipment failures that result from using products at values that exceed, even momentarily, rated values (such as maximum ratings, operating condition ranges, or other parameters) listed in products specifications of any and all UTC products described or contained herein. UTC products are not designed for use in life support appliances, devices or systems where malfunction of these products can be reasonably expected to result in personal injury. Reproduction in whole or in part is prohibited without the prior written consent of the copyright owner. UTC reserves the right to make changes to information published in this document, including without limitation specifications and product descriptions, at any time and without notice. This document supersedes and replaces all information supplied prior to the publication hereof.