



18N40

Power MOSFET

18A, 400V N-CHANNEL POWER MOSFET

■ DESCRIPTION

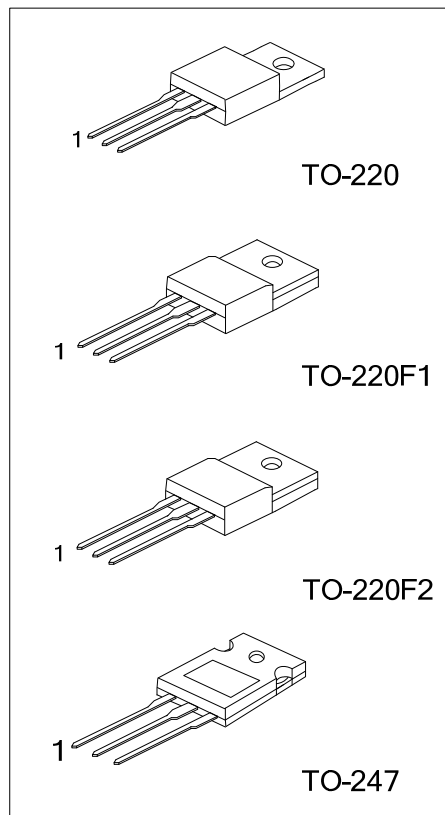
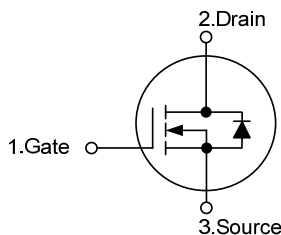
The UTC **18N40** is a 400V N-channel power MOSFET, providing customers with perfect $R_{DS(ON)}$, low gate charge and operation with low gate voltages.

The UTC **18N40** is generally used as a load switch or applied in PWM applications.

■ FEATURES

- * $R_{DS(ON)} \leq 0.24\Omega @ V_{GS} = 10V$
- * Fast Switching Speed
- * Avalanche Energy Specified

■ SYMBOL



■ ORDERING INFORMATION

Ordering Number		Package	Pin Assignment			Packing
Lead Free	Halogen-Free		1	2	3	
18N40L-TA3-T	18N40G-TA3-T	TO-220	G	D	S	Tube
18N40L-TF1-T	18N40G-TF1-T	TO-220F1	G	D	S	Tube
18N40L-TF2-T	18N40G-TF2-T	TO-220F2	G	D	S	Tube
18N40L-T47-T	18N40G-T47-T	TO-247	G	D	S	Tube

Note: Pin Assignment: G: Gate D: Drain S: Source

<p>18N40L-TA3-T</p>	<p>(1) T: Tube (2) TA3: TO-220, TF1: TO-220F1, TF2: TO-220F2, T47: TO-247 (3) L: Lead Free, G: Halogen Free</p>
---------------------	---

■ MARKING INFORMATION

PACKAGE	MARKING
TO-220 TO-220F1 TO-220F2 TO-247	<p> L: Lead Free G: Halogen Free Data Code </p>

■ ABSOLUTE MAXIMUM RATINGS (T_C =25°C, unless otherwise specified)

PARAMETER		SYMBOL	RATINGS	UNIT
Drain-Source Voltage		V _{DSS}	400	V
Gate-Source Voltage		V _{GSS}	±30	V
Drain Current	Continuous	I _D	18	A
	Pulsed	I _{DM}	72	A
Avalanche Current		I _{AR}	18	A
Avalanche Energy	Single Pulsed	E _{AS}	1000	mJ
	Repetitive	E _{AR}	30	mJ
Peak Diode Recovery dv/dt		dv/dt	10	V/ns
Power Dissipation	TO-220	P _D	235	W
	TO-220F1		38.5	
	TO-220F2		40.5	
	TO-247		360	
Junction Temperature		T _J	150	°C
Storage Temperature		T _{STG}	-55 ~ +150	°C

Note: Absolute maximum ratings are those values beyond which the device could be permanently damaged.
Absolute maximum ratings are stress ratings only and functional device operation is not implied.

■ THERMAL DATA

PARAMETER		SYMBOL	RATINGS	UNIT
Junction to Case	TO-220	θ _{JC}	0.53	°C/W
	TO-220F1		3.3	
	TO-220F2		3.0	
	TO-247		0.35	

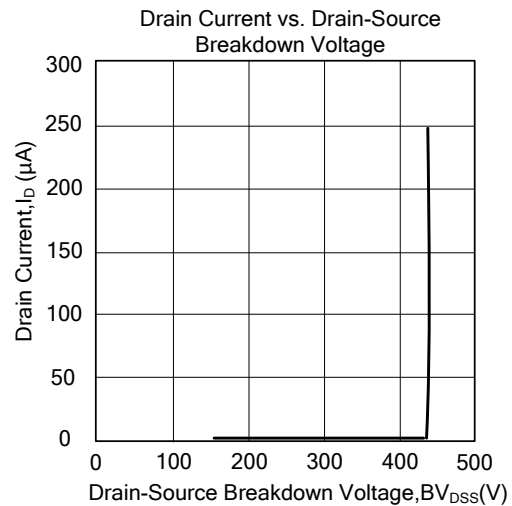
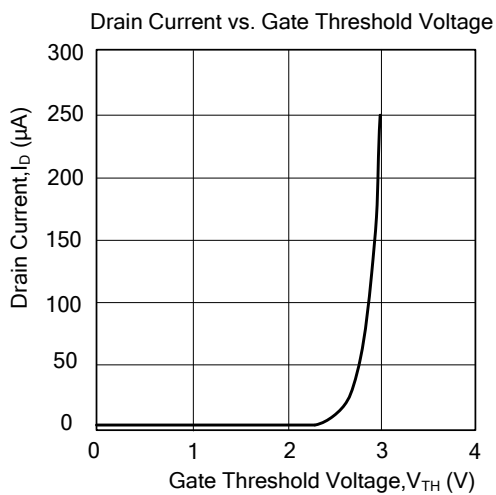
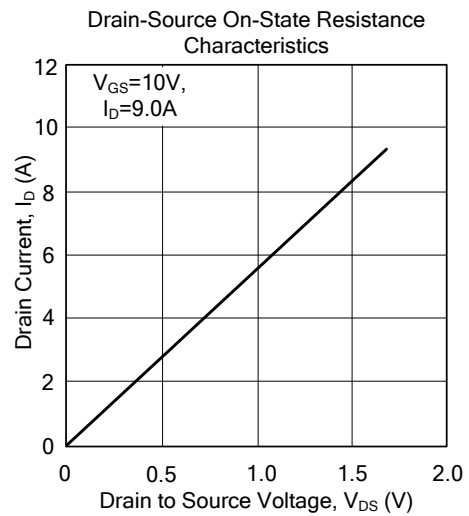
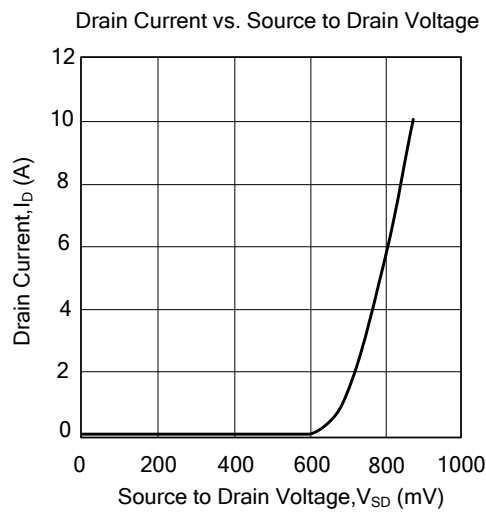
■ ELECTRICAL CHARACTERISTICS ($T_J = 25^\circ\text{C}$, unless otherwise specified)

PARAMETER	SYMBOL	TEST CONDITIONS	MIN	TYP	MAX	UNIT
OFF CHARACTERISTICS						
Drain-Source Breakdown Voltage	BV_{DSS}	$V_{GS}=0V, I_D=250\mu A$	400			V
Drain-Source Leakage Current	I_{DSS}	$V_{DS}=400V, V_{GS}=0V$			25	μA
Gate-Body Leakage Current	I_{GSS}	$V_{DS}=0V, V_{GS}=\pm 30V$			± 100	nA
ON CHARACTERISTICS						
Gate Threshold Voltage	$V_{GS(TH)}$	$V_{DS}=V_{GS}, I_D=250\mu A$	2.0		4.0	V
Static Drain-Source On-Resistance	$R_{DS(ON)}$	$V_{GS}=10V, I_D=9A$		0.18	0.24	Ω
DYNAMIC PARAMETERS						
Input Capacitance	C_{ISS}	$V_{DS}=25V, V_{GS}=0V, f=1\text{MHz}$		2500		pF
Output Capacitance	C_{OSS}			280		pF
Reverse Transfer Capacitance	C_{RSS}			23		pF
SWITCHING PARAMETERS						
Total Gate Charge	Q_G	$V_{GS}=10V, V_{DS}=0.5V_{DSS}, I_D=18A, R_G=5\Omega$ (Note 1, 2)		50		nC
Gate Source Charge	Q_{GS}			15		nC
Gate Drain Charge	Q_{GD}			18		nC
Turn-ON Delay Time	$t_{D(ON)}$	$V_{GS}=10V, V_{DS}=0.5V_{DSS}, I_D=9A$ (Note 1, 2)		21		ns
Turn-ON Rise Time	t_R			22		ns
Turn-OFF Delay Time	$t_{D(OFF)}$			62		ns
Turn-OFF Fall-Time	t_F			22		ns
SOURCE- DRAIN DIODE RATINGS AND CHARACTERISTICS						
Drain-Source Diode Forward Voltage	V_{SD}	$I_F=I_S, V_{GS}=0V$			1.5	V
Maximum Continuous Drain-Source Diode Forward Current	I_S	$V_{GS}=0V$			18	A
Maximum Pulsed Drain-Source Diode Forward Current	I_{SM}	Repetitive			72	A
Reverse Recovery Time	t_{rr}	$V_{GS}=0V, dI_F/dt=100A/\mu s,$			200	ns
Reverse Recovery Charge	Q_{RR}	$I_S=18A, V_R=100V$ (Note 1)		0.8		μC

Notes: 1. Pulse Test: Pulse Width $\leq 300\mu s$, Duty Cycle $\leq 2\%$.

2. Essentially independent of operating temperature

TYPICAL CHARACTERISTICS



UTC assumes no responsibility for equipment failures that result from using products at values that exceed, even momentarily, rated values (such as maximum ratings, operating condition ranges, or other parameters) listed in products specifications of any and all UTC products described or contained herein. UTC products are not designed for use in life support appliances, devices or systems where malfunction of these products can be reasonably expected to result in personal injury. Reproduction in whole or in part is prohibited without the prior written consent of the copyright owner. The information presented in this document does not form part of any quotation or contract, is believed to be accurate and reliable and may be changed without notice.