



2N60-TC2

Power MOSFET

2A, 600V N-CHANNEL POWER MOSFET

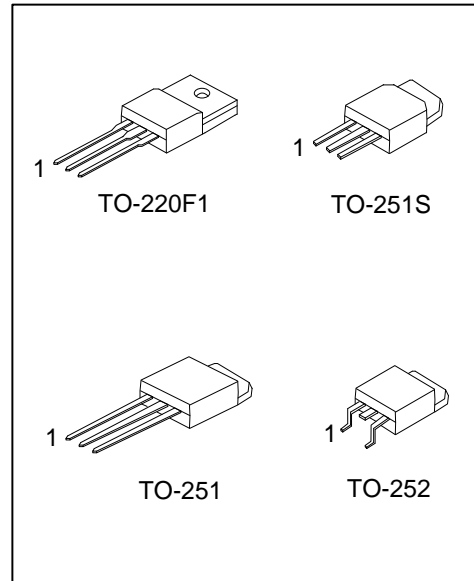
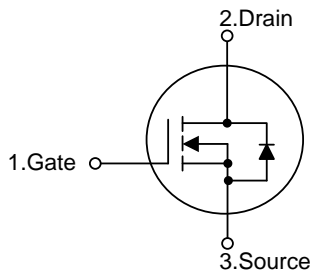
DESCRIPTION

The UTC 2N60-TC2 is a high voltage power MOSFET and is designed to have better characteristics, such as fast switching time, low gate charge, low on-state resistance and have a high rugged avalanche characteristics. This power MOSFET is usually used at high speed switching applications in power supplies, PWM motor controls, high efficient AC to DC converters and bridge circuits.

FEATURES

- * $R_{DS(ON)} \leq 5.0 \Omega$ @ $V_{GS}=10V, I_D=1.0A$
- * High Switching Speed

SYMBOL



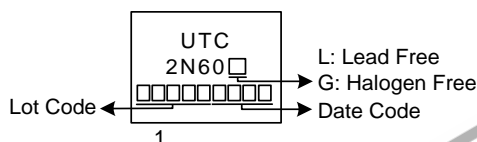
ORDERING INFORMATION

Ordering Number		Package	Pin Assignment			Packing
Lead Free	Halogen Free		1	2	3	
2N60L-TF1-T	2N60G-TF1-T	TO-220F1	G	D	S	Tube
2N60L-TM3-T	2N60G-TM3-T	TO-251	G	D	S	Tube
2N60L-TMS-T	2N60G-TMS-T	TO-251S	G	D	S	Tube
2N60L-TN3-R	2N60G-TN3-R	TO-252	G	D	S	Tape Reel

Note: Pin Assignment: G: Gate D: Drain S: Source

<p>2N60G-TF1-T</p>	<p>(1) T: Tube, R: Tape Reel (2) TF1: TO-220F1, TM3: TO-251, TMS: TO-251S TN3: TO-252 (3) G: Halogen Free and Lead Free, L: Lead Free</p>
--------------------	--

MARKING



■ **ABSOLUTE MAXIMUM RATINGS** ($T_C = 25^\circ\text{C}$, unless otherwise specified)

PARAMETER		SYMBOL	RATINGS	UNIT
Drain-Source Voltage		V_{DSS}	600	V
Gate-Source Voltage		V_{GSS}	± 30	V
Drain Current	Continuous	I_D	2	A
	Pulsed (Note 2)	I_{DM}	4	A
Avalanche Energy	Single Pulsed (Note 3)	E_{AS}	61	mJ
Peak Diode Recovery dv/dt (Note 4)		dv/dt	2.6	V/ns
Power Dissipation	TO-220F1	P_D	23	W
	TO-251/TO-251S		44	W
	TO-252			
Junction Temperature		T_J	+150	$^\circ\text{C}$
Storage Temperature		T_{STG}	-55 ~ +150	$^\circ\text{C}$

- Notes: 1. Absolute maximum ratings are those values beyond which the device could be permanently damaged. Absolute maximum ratings are stress ratings only and functional device operation is not implied.
 2. Repetitive Rating: Pulse width limited by maximum junction temperature.
 3. $L = 10\text{mH}$, $I_{AS} = 3.5\text{A}$, $V_{DD} = 50\text{V}$, $R_G = 25\ \Omega$ Starting $T_J = 25^\circ\text{C}$
 4. $I_{SD} \leq 2.0\text{A}$, $di/dt \leq 200\text{A}/\mu\text{s}$, $V_{DD} \leq BV_{DSS}$, Starting $T_J = 25^\circ\text{C}$

■ **THERMAL DATA**

PARAMETER		SYMBOL	RATING	UNIT
Junction to Ambient	TO-220F1	θ_{JA}	62.5	$^\circ\text{C}/\text{W}$
	TO-251/TO-251S		100	$^\circ\text{C}/\text{W}$
	TO-252			
Junction to Case	TO-220F1	θ_{JC}	5.5	$^\circ\text{C}/\text{W}$
	TO-251/TO-251S		2.87 (Note)	$^\circ\text{C}/\text{W}$
	TO-252			

Note: Device mounted on FR-4 substrate PC board, 2oz copper, with 1inch square copper plate.

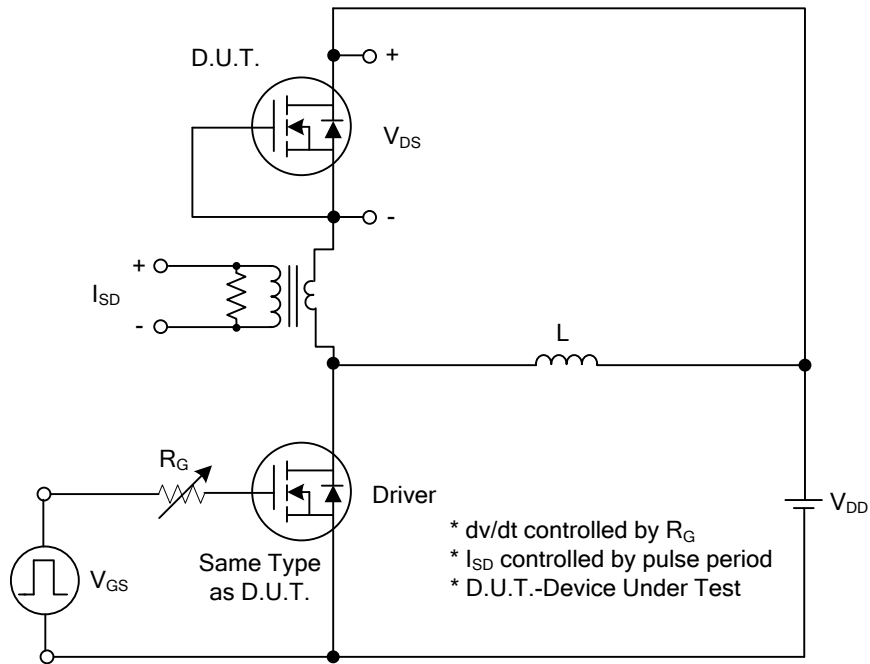
■ **ELECTRICAL CHARACTERISTICS** ($T_J = 25^\circ\text{C}$, unless otherwise specified)

PARAMETER	SYMBOL	TEST CONDITIONS	MIN	TYP	MAX	UNIT
OFF CHARACTERISTICS						
Drain-Source Breakdown Voltage	BV_{DSS}	$V_{GS}=0V, I_D=250\mu A$	600			V
Drain-Source Leakage Current	I_{DSS}	$V_{DS}=600V, V_{GS}=0V$			10	μA
Gate-Source Leakage Current	Forward	I_{GSS}			100	nA
	Reverse				-100	nA
ON CHARACTERISTICS						
Gate Threshold Voltage	$V_{GS(TH)}$	$V_{DS}=V_{GS}, I_D=250\mu A$	2.0		4.0	V
Static Drain-Source On-State Resistance	$R_{DS(ON)}$	$V_{GS}=10V, I_D=1.0A$			5.0	Ω
DYNAMIC CHARACTERISTICS						
Input Capacitance	C_{ISS}	$V_{GS}=0V, V_{DS}=25V, f=1.0\text{ MHz}$		250		pF
Output Capacitance	C_{OSS}			34		pF
Reverse Transfer Capacitance	C_{RSS}			2.3		pF
SWITCHING CHARACTERISTICS						
Total Gate Charge (Note 1)	Q_G	$V_{DS}=480V, V_{GS}=10V, I_D=2A$ $I_G=1\text{ mA}$ (Note 1, 2)		6.6		nC
Gate-source Charge	Q_{GS}			2.6		nC
Gate-drain Charge	Q_{GD}			1		nC
Turn-on Delay Time (Note 1)	$t_{D(ON)}$	$V_{DS}=100V, V_{GS}=10V, I_D=2.0A,$ $R_G=25\Omega$ (Note 1, 2)		5		ns
Rise Time	t_R			17		ns
Turn-off Delay Time	$t_{D(OFF)}$			22		ns
Fall-Time	t_F			23		ns
SOURCE- DRAIN DIODE RATINGS AND CHARACTERISTICS						
Maximum Body-Diode Continuous Current	I_S				2	A
Maximum Body-Diode Pulsed Current	I_{SM}				4	A
Drain-Source Diode Forward Voltage (Note 1)	V_{SD}	$V_{GS}=0V, I_S=2.0A$			1.4	V
Reverse Recovery Time (Note 1)	t_{rr}	$V_{GS}=0V, I_S=2.0A,$		300		ns
Reverse Recovery Charge	Q_{rr}	$dI_F/dt=100A/\mu s$ (Note1)		1		μC

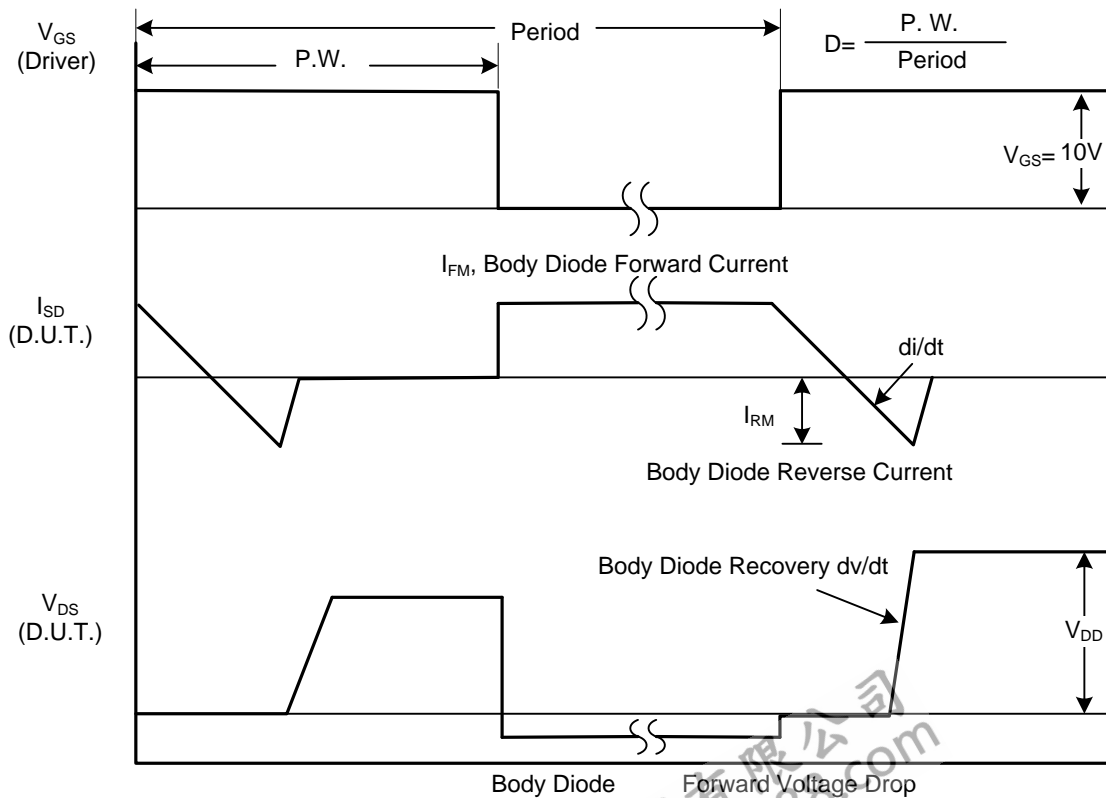
Notes: 1. Pulse Test : Pulse width $\leq 300\mu s$, Duty cycle $\leq 2\%$.

2. Essentially independent of operating temperature.

■ TEST CIRCUITS AND WAVEFORMS

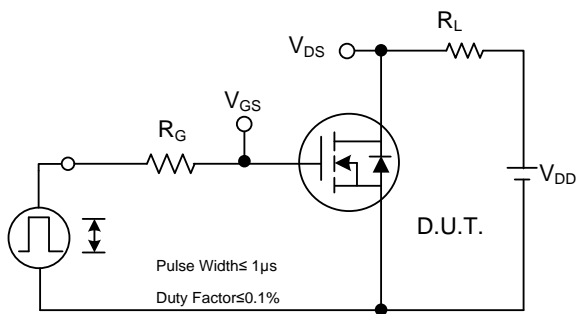


Peak Diode Recovery dv/dt Test Circuit

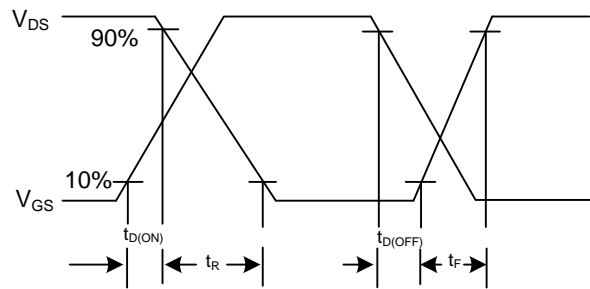


Peak Diode Recovery dv/dt Waveforms

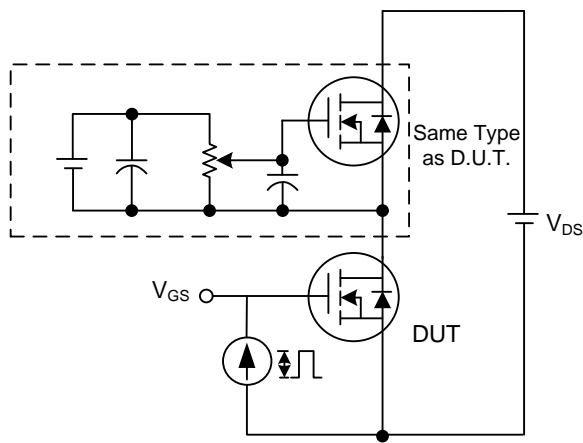
TEST CIRCUITS AND WAVEFORMS



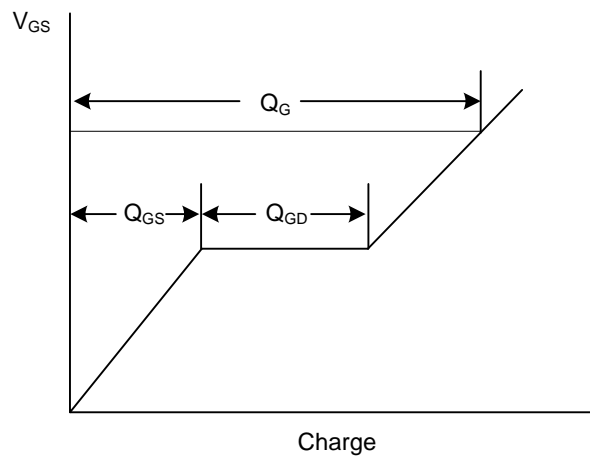
Switching Test Circuit



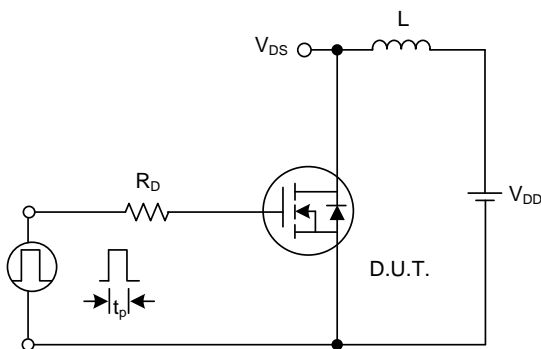
Switching Waveforms



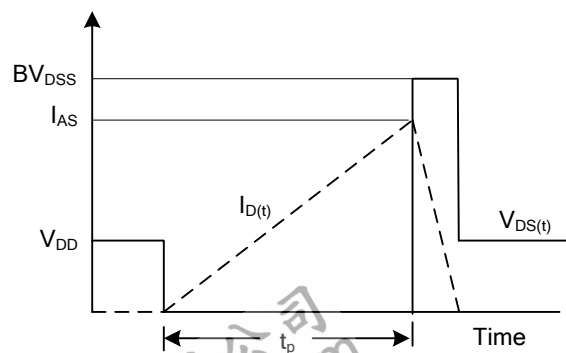
Gate Charge Test Circuit



Gate Charge Waveform

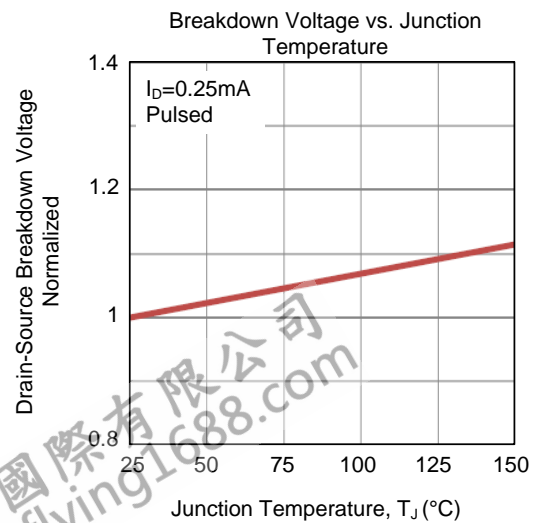
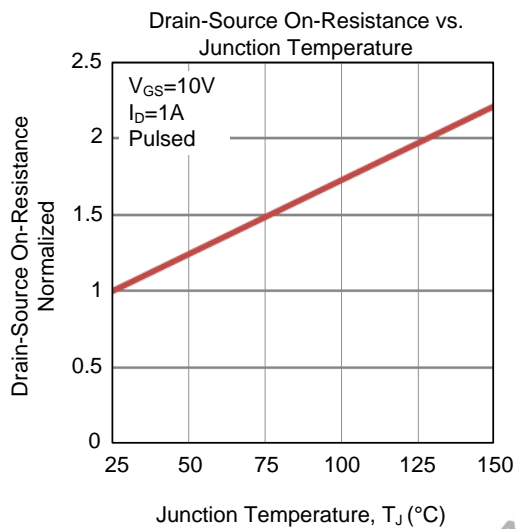
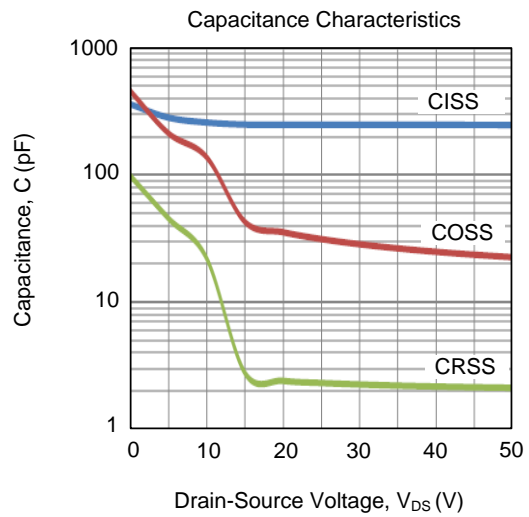
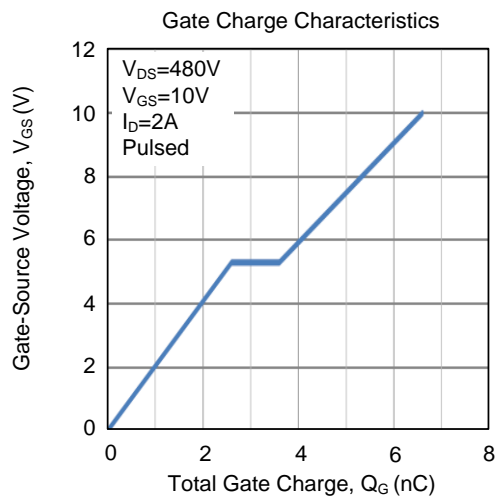
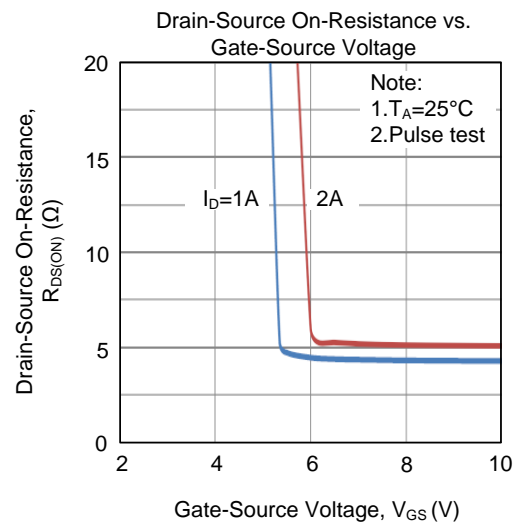
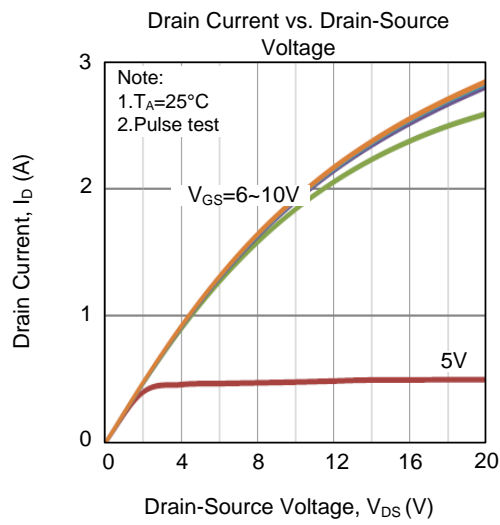


Unclamped Inductive Switching Test Circuit

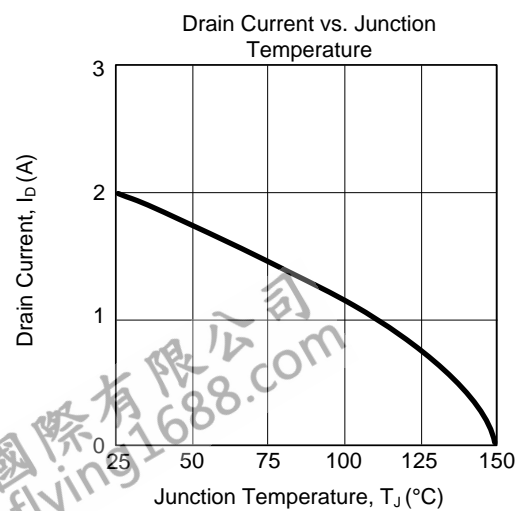
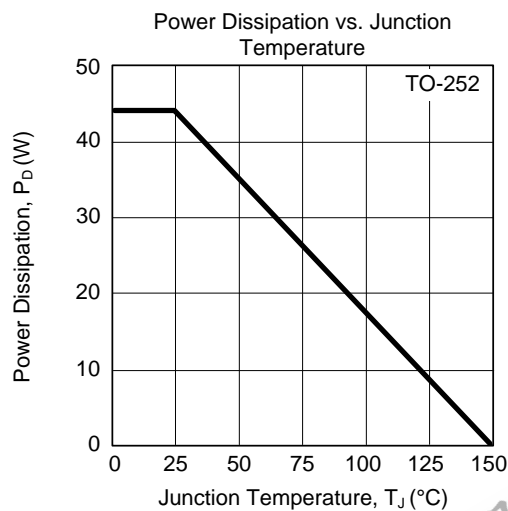
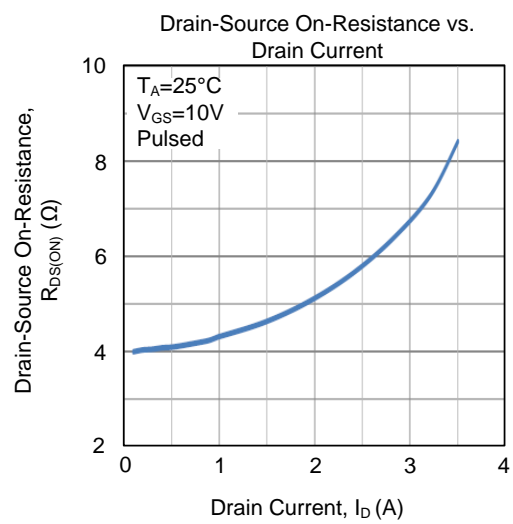
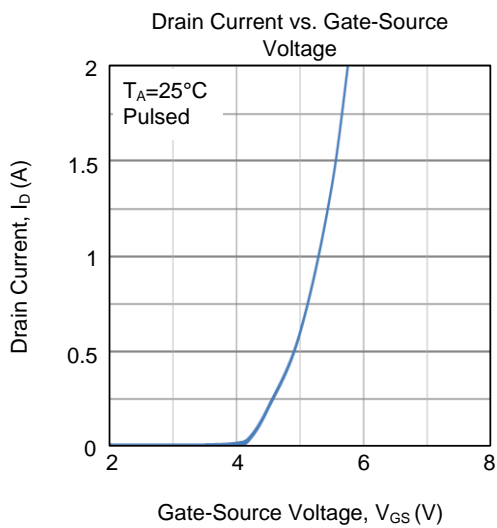
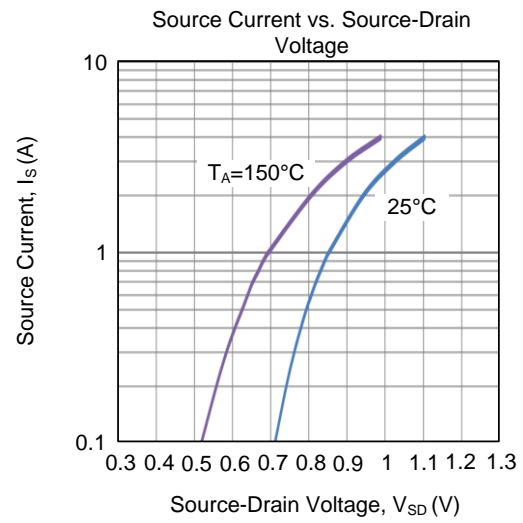
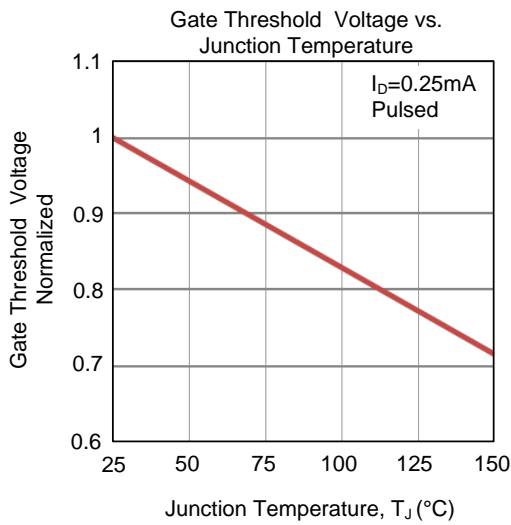


Unclamped Inductive Switching Waveforms

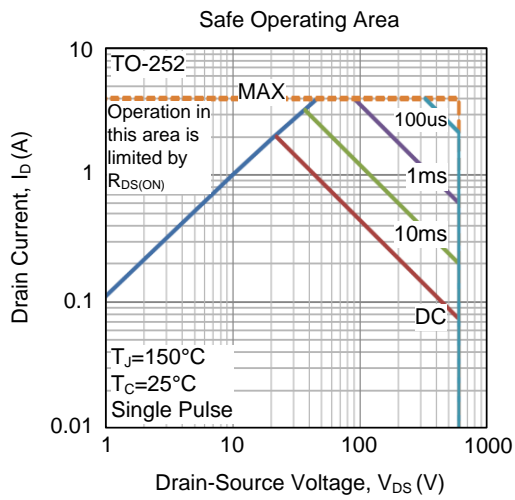
TYPICAL CHARACTERISTICS



■ TYPICAL CHARACTERISTICS (Cont.)



■ TYPICAL CHARACTERISTICS (Cont.)



UTC assumes no responsibility for equipment failures that result from using products at values that exceed, even momentarily, rated values (such as maximum ratings, operating condition ranges, or other parameters) listed in products specifications of any and all UTC products described or contained herein. UTC products are not designed for use in life support appliances, devices or systems where malfunction of these products can be reasonably expected to result in personal injury. Reproduction in whole or in part is prohibited without the prior written consent of the copyright owner. UTC reserves the right to make changes to information published in this document, including without limitation specifications and product descriptions, at any time and without notice. This document supersedes and replaces all information supplied prior to the publication hereof.