



2N65Q-TA

Power MOSFET

2A, 650V N-CHANNEL POWER MOSFET

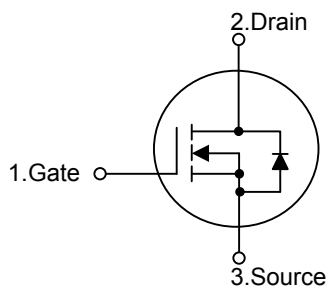
DESCRIPTION

The UTC **2N65Q-TA** is a high voltage MOSFET and is designed to have better characteristics, such as fast switching time, low gate charge, low on-state resistance and have a high rugged avalanche characteristics. This power MOSFET is usually used at high speed switching applications in power supplies, PWM motor controls, high efficient DC to DC converters and bridge circuits.

FEATURES

- * $R_{DS(ON)} < 10 \Omega @ V_{GS}=10V, I_D=1.0A$
- * High Switching Speed
- * 100% Avalanche Tested

SYMBOL

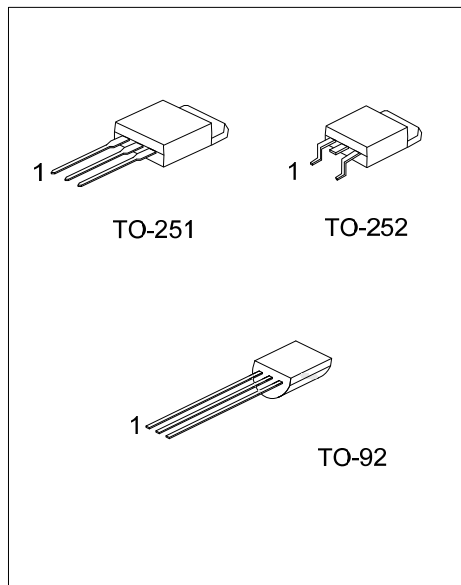


ORDERING INFORMATION

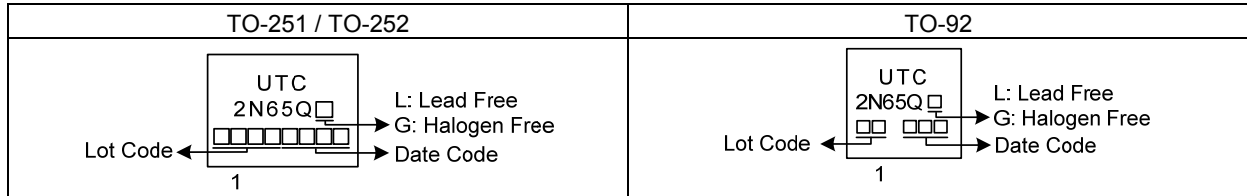
Ordering Number		Package	Pin Assignment			Packing
Lead Free	Halogen Free		1	2	3	
2N65QL-TM3-T	2N65QG-TM3-T	TO-251	G	D	S	Tube
2N65QL-TN3-R	2N65QG-TN3-R	TO-252	G	D	S	Tape Reel
2N65QL-T92-B	2N65QG-T92-B	TO-92	G	D	S	Tape Box
2N65QL-T92-K	2N65QG-T92-K	TO-92	G	D	S	Bulk

Note: Pin Assignment: G: Gate D: Drain S: Source

<p>2N65QG-TM3-T</p>	<p>(1) B: Tape Box, K: Bulk, T: Tube, R: Tape Reel (2) TM3: TO-251, TN3: TO-252, T92: TO-92 (3) G: Halogen Free and Lead Free, L: Lead Free</p>
---------------------	---



■ MARKING



汎翔國際有限公司
 www.flying1688.com

■ ABSOLUTE MAXIMUM RATINGS ($T_c=25^\circ\text{C}$, unless otherwise specified)

PARAMETER		SYMBOL	RATINGS	UNIT
Drain-Source Voltage		V_{DSS}	650	V
Gate-Source Voltage		V_{GSS}	± 30	V
Drain Current	Continuous ($T_c=25^\circ\text{C}$)	I_D	2.0	A
	Pulsed (Note 2)	I_{DM}	4	A
Avalanche Energy	Single Pulsed	E_{AS}	118	mJ
Peak Diode Recovery dv/dt (Note 4)		dv/dt	1.5	V/ns
Power Dissipation	TO-251/TO-252	P_D	5	W
	TO-92		30	W
Junction Temperature		T_J	+150	$^\circ\text{C}$
Storage Temperature		T_{STG}	-55 ~ +150	$^\circ\text{C}$

Notes: 1. Absolute maximum ratings are those values beyond which the device could be permanently damaged.

Absolute maximum ratings are stress ratings only and functional device operation is not implied.

2. Repetitive Rating: Pulse width limited by maximum junction temperature.

3. $L=92\text{mH}$, $I_{AS}=1.6\text{A}$, $V_{DD}=50\text{V}$, $R_G=25\ \Omega$, Starting $T_J = 25^\circ\text{C}$

4. $I_{SD}\leq 2.0\text{A}$, $di/dt\leq 200\text{A}/\mu\text{s}$, $V_{DD}\leq BV_{DSS}$, Starting $T_J=25^\circ\text{C}$

■ THERMAL DATA

PARAMETER		SYMBOL	RATINGS	UNIT
Junction to Ambient	TO-251/TO-252	θ_{JA}	110	$^\circ\text{C}/\text{W}$
	TO-92		150	$^\circ\text{C}/\text{W}$
Junction to Case	TO-251/TO-252	θ_{JC}	4.2	$^\circ\text{C}/\text{W}$
	TO-92		25	$^\circ\text{C}/\text{W}$

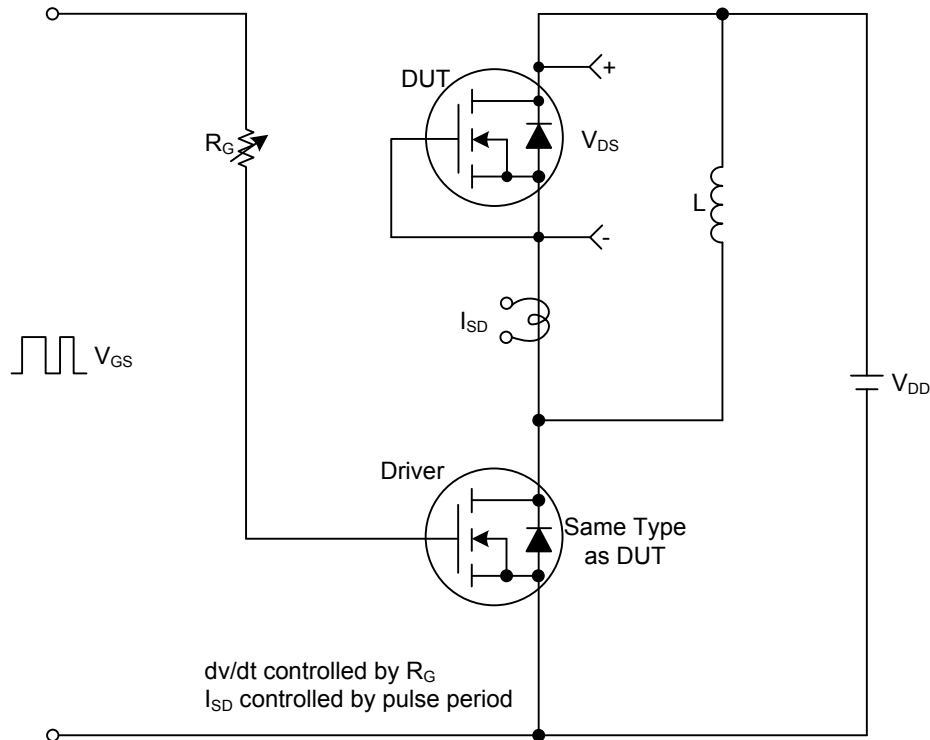
■ ELECTRICAL CHARACTERISTICS ($T_c=25^\circ\text{C}$, unless otherwise noted)

PARAMETER	SYMBOL	TEST CONDITIONS	MIN	TYP	MAX	UNIT
OFF CHARACTERISTICS						
Drain-Source Breakdown Voltage	BV_{DSS}	$I_D=250\mu\text{A}$, $V_{GS}=0\text{V}$	650			V
Drain-Source Leakage Current	I_{DSS}	$V_{DS}=650\text{V}$, $V_{GS}=0\text{V}$			10	μA
Gate- Source Leakage Current	Forward	I_{GSS}			+100	nA
	Reverse				-100	nA
ON CHARACTERISTICS						
Gate Threshold Voltage	$V_{GS(TH)}$	$V_{DS}=V_{GS}$, $I_D=250\mu\text{A}$	2.0		4.0	V
Static Drain-Source On-State Resistance	$R_{DS(ON)}$	$V_{GS}=10\text{V}$, $I_D=1.0\text{A}$			10	Ω
DYNAMIC PARAMETERS						
Input Capacitance	C_{ISS}	$V_{GS}=0\text{V}$, $V_{DS}=25\text{V}$, $f=1.0\text{MHz}$		170		pF
Output Capacitance	C_{OSS}			20		pF
Reverse Transfer Capacitance	C_{RSS}			1.6		pF
SWITCHING PARAMETERS						
Total Gate Charge	Q_G	$V_{DS}=100\text{V}$, $V_{GS}=10\text{V}$, $I_D=1\text{A}$, $I_G = 3\text{mA}$ (Note 1, 2)		7.6		nC
Gate to Source Charge	Q_{GS}			3		nC
Gate to Drain Charge	Q_{GD}			1		nC
Turn-ON Delay Time	$t_{D(ON)}$	$V_{DD}=100\text{V}$, $V_{GS}=10\text{V}$, $I_D=1\text{A}$, $R_G=25\Omega$ (Note 1, 2)		2.2		ns
Rise Time	t_R			4.4		ns
Turn-OFF Delay Time	$t_{D(OFF)}$			4.6		ns
Fall-Time	t_F			16.8		ns
SOURCE- DRAIN DIODE RATINGS AND CHARACTERISTICS						
Maximum Body-Diode Continuous Current	I_S				2	A
Maximum Body-Diode Pulsed Current	I_{SM}				4	A
Drain-Source Diode Forward Voltage	V_{SD}	$I_S=2.0\text{A}$, $V_{GS}=0\text{V}$			1.4	V
Reverse Recovery Time	t_{rr}	$V_{GS}=0\text{V}$, $I_{SD}=2.0\text{A}$, $di/dt=100\text{A}/\mu\text{s}$		330		ns
Reverse Recovery Charge	Q_{rr}			0.88		μC

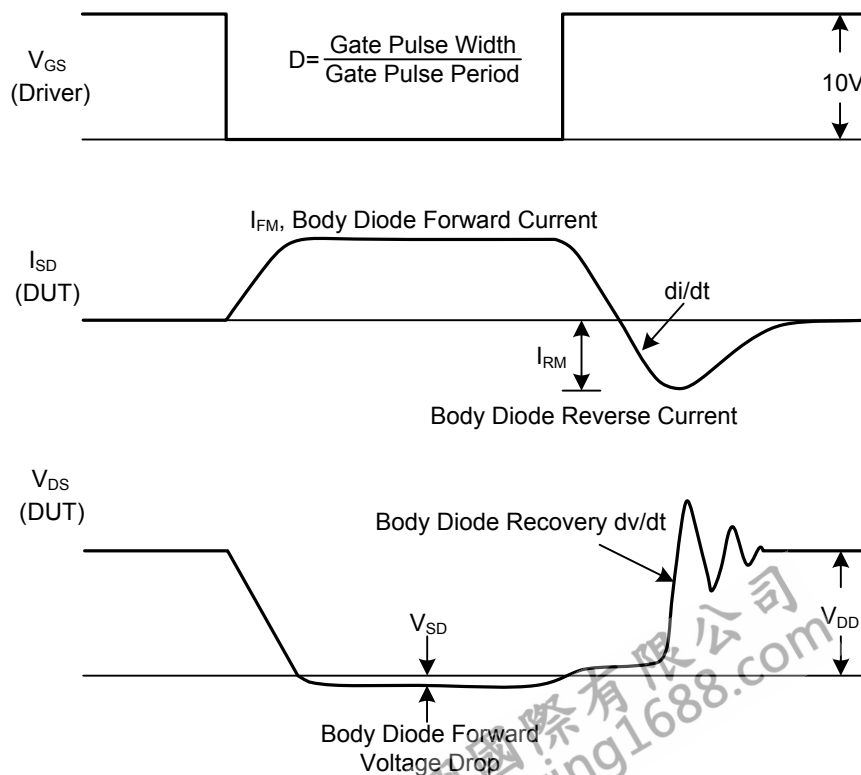
Notes: 1. Pulse Test: Pulse width $\leq 300\mu\text{s}$, Duty cycle $\leq 2\%$.

2. Essentially independent of operating temperature.

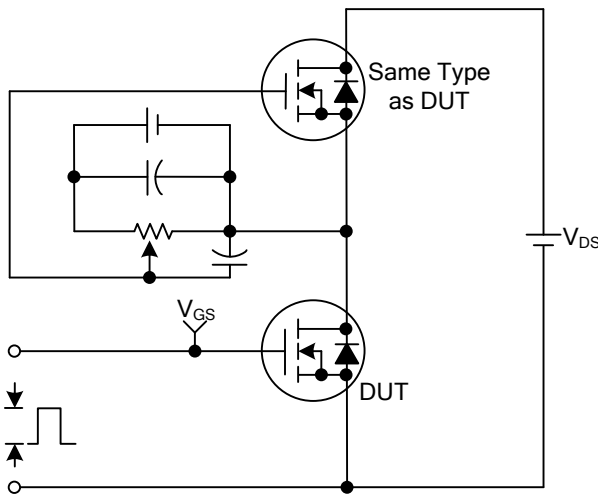
TEST CIRCUITS AND WAVEFORMS



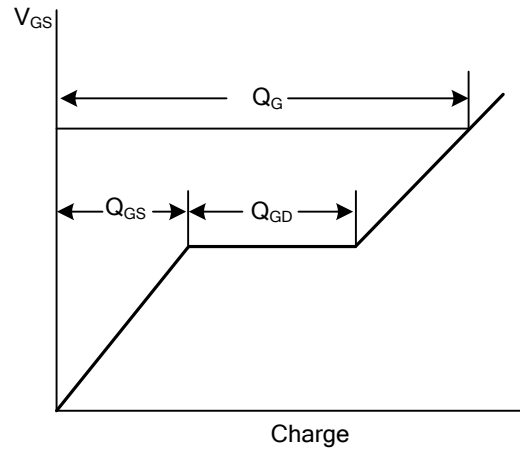
Peak Diode Recovery dv/dt Test Circuit & Waveforms



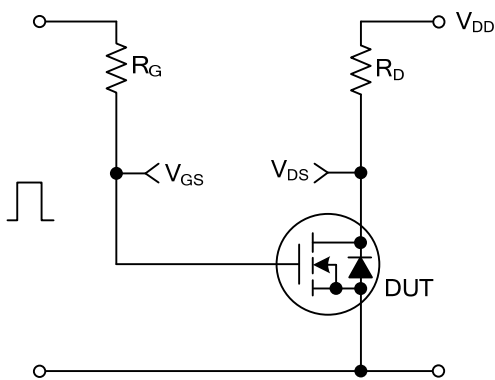
TEST CIRCUITS AND WAVEFORMS(Cont.)



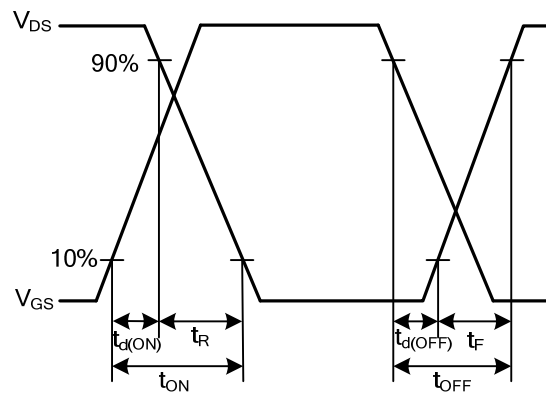
Gate Charge Test Circuit



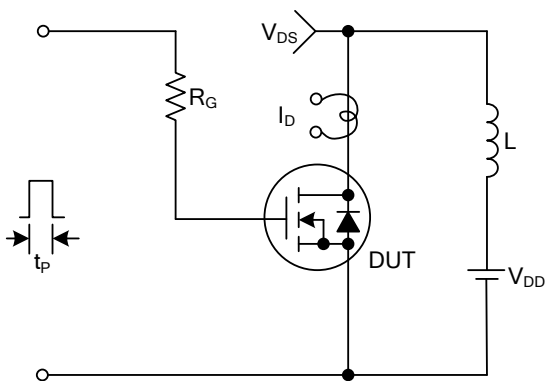
Gate Charge Waveforms



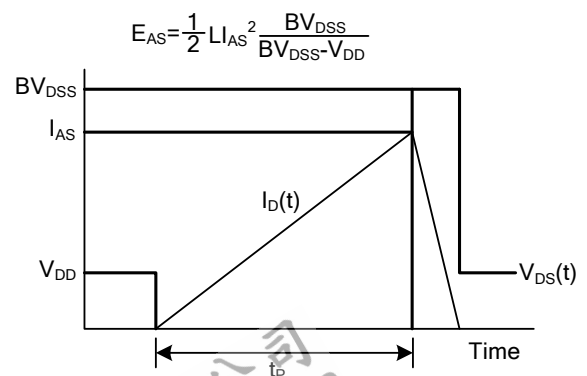
Resistive Switching Test Circuit



Resistive Switching Waveforms

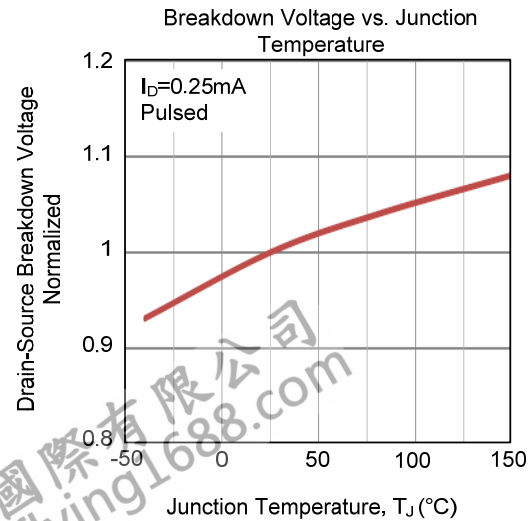
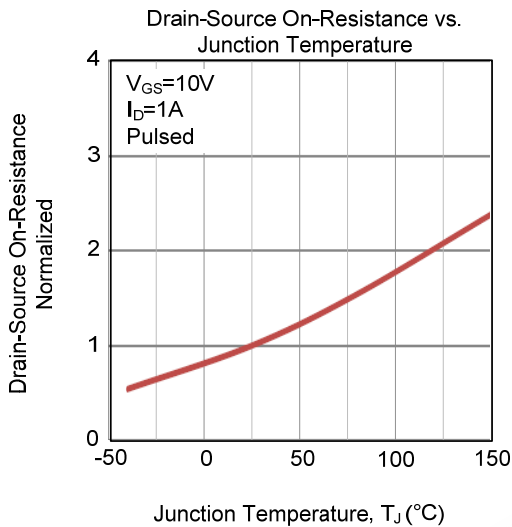
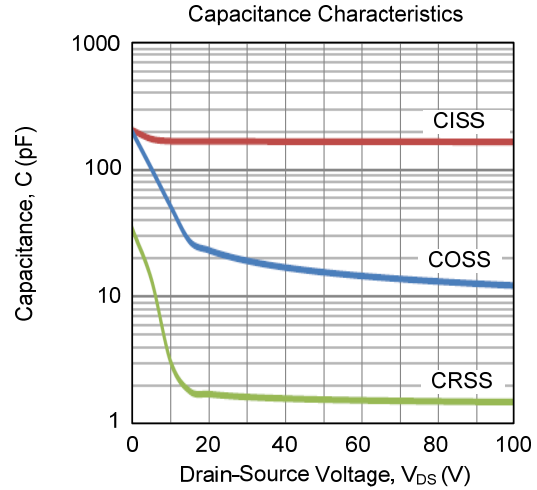
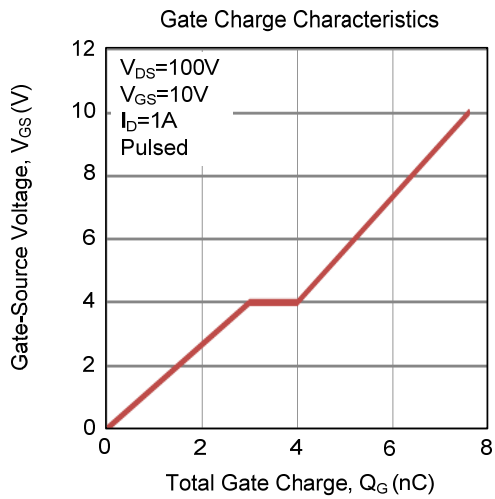
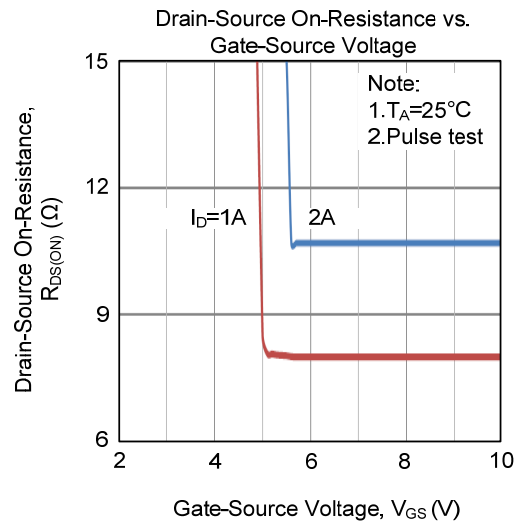
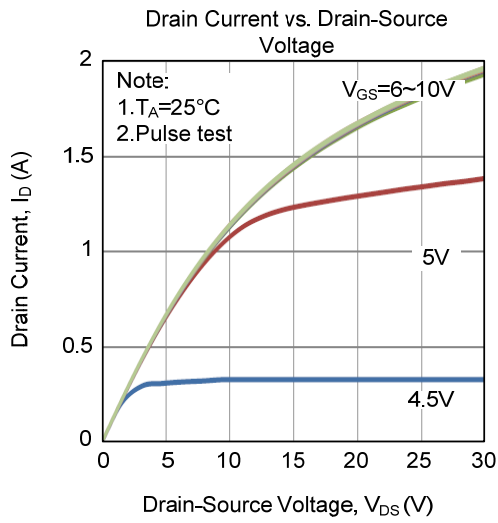


Unclamped Inductive Switching Test Circuit

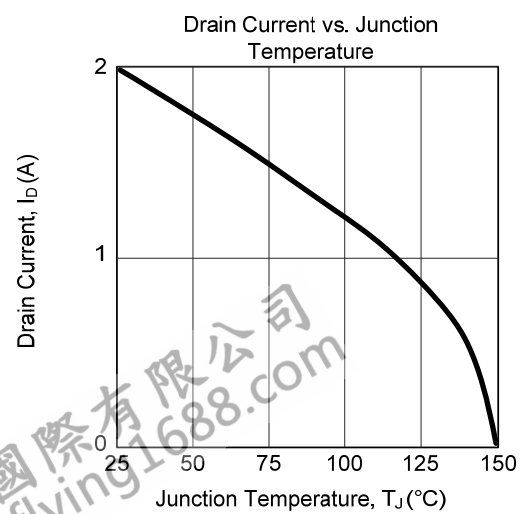
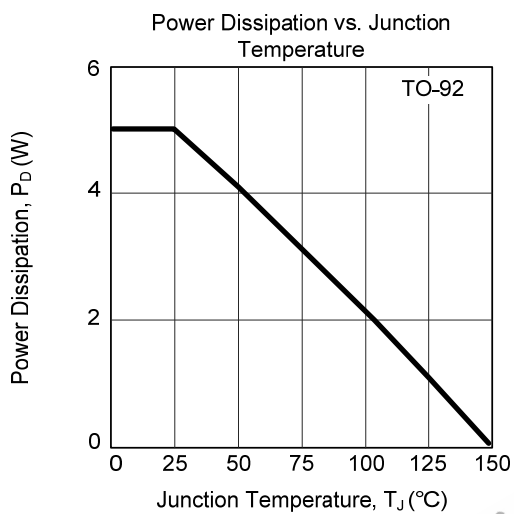
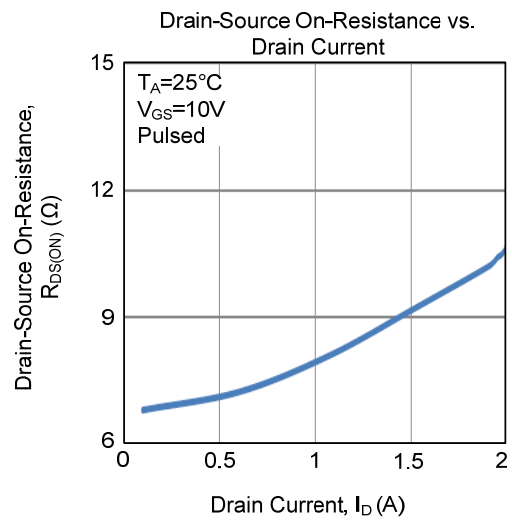
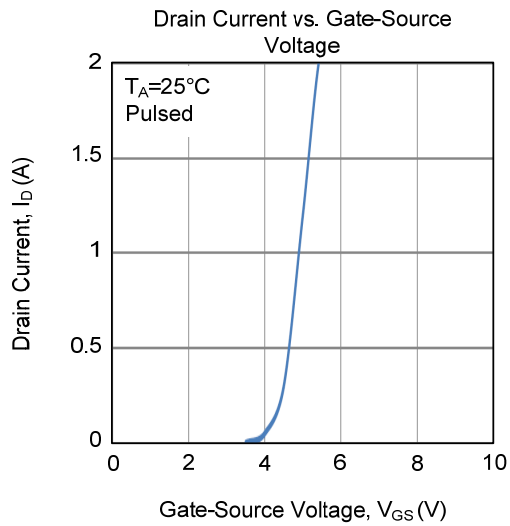
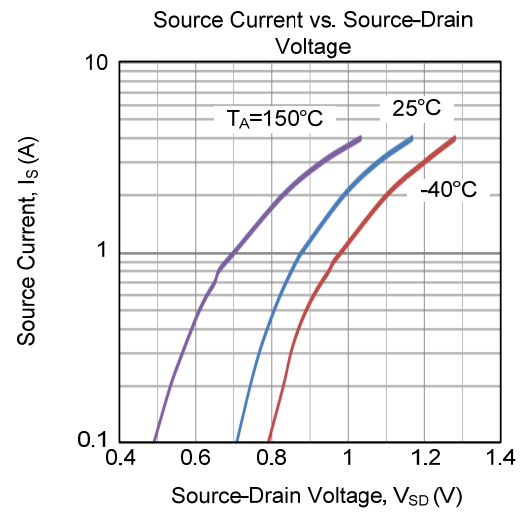
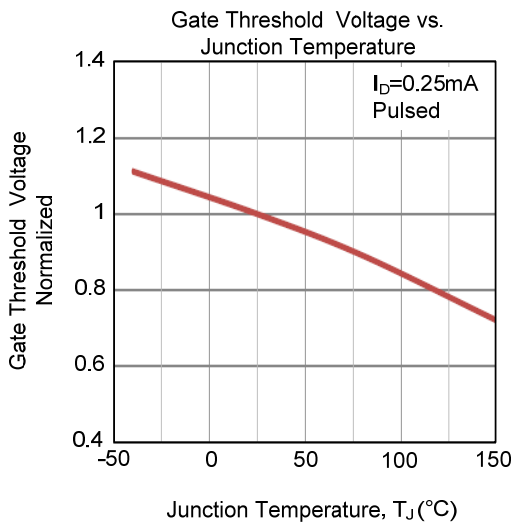


Unclamped Inductive Switching Waveforms

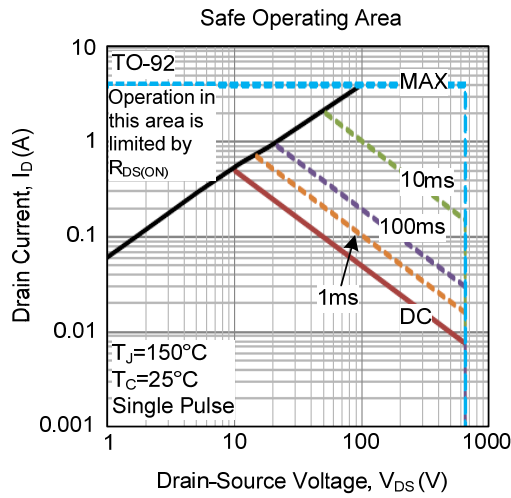
TYPICAL CHARACTERISTICS



TYPICAL CHARACTERISTICS (Cont.)



■ TYPICAL CHARACTERISTICS (Cont.)



UTC assumes no responsibility for equipment failures that result from using products at values that exceed, even momentarily, rated values (such as maximum ratings, operating condition ranges, or other parameters) listed in products specifications of any and all UTC products described or contained herein. UTC products are not designed for use in life support appliances, devices or systems where malfunction of these products can be reasonably expected to result in personal injury. Reproduction in whole or in part is prohibited without the prior written consent of the copyright owner. UTC reserves the right to make changes to information published in this document, including without limitation specifications and product descriptions, at any time and without notice. This document supersedes and replaces all information supplied prior to the publication hereof.