



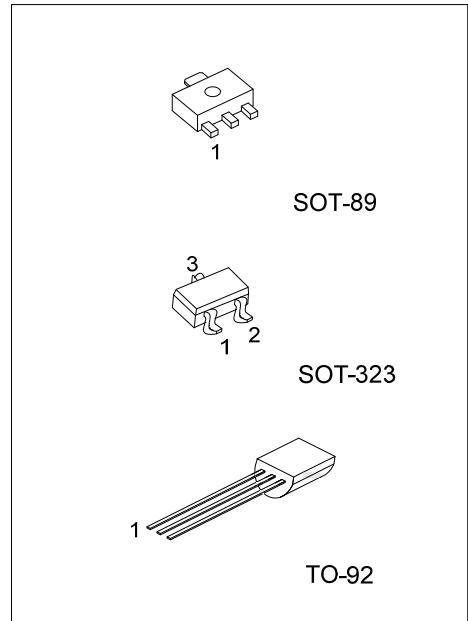
2SC3355

NPN SILICON EPITAXIAL TRANSISTOR

HIGH FREQUENCY LOW
NOISE AMPLIFIER
NPN SILICON EPITAXIAL
TRANSISTOR

■ FEATURES

- * Low Noise and High Gain
- * High Power Gain



■ ORDERING INFORMATION

Ordering Number		Package	Pin Assignment			Packing
Lead Free	Halogen Free		1	2	3	
2SC3355L-AB3-R	2SC3355G-AB3-R	SOT-89	B	C	E	Tape Reel
2SC3355L-AL3-R	2SC3355G-AL3-R	SOT-323	B	E	C	Tape Reel
2SC3355L-T92-B	2SC3355G-T92-B	TO-92	B	E	C	Tape Box
2SC3355L-T92-K	2SC3355G-T92-K	TO-92	B	E	C	Bulk

Note: Pin Assignment: B: Base C: Collector E: Emitter

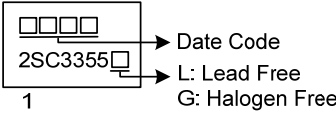
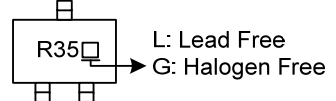
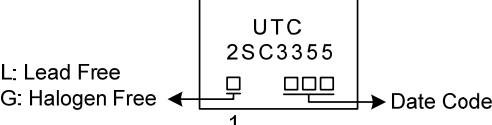
<p>2SC3355G-AB3-R</p> <p>(1) Packing Type</p> <p>(2) Package Type</p> <p>(3) Green Package</p>	<p>(1) R: Tape Reel, B: Tape Box, K: Bulk</p> <p>(2) AB3: SOT-89, AL3: SOT-323, T92: TO-92</p> <p>(3) G: Halogen Free and Lead Free, L: Lead Free</p>
--	---



2SC3355

NPN SILICON EPITAXIAL TRANSISTOR

MARKING

Package	MARKING
SOT-89	
SOT-323	
TO-92	

FLYING 汎翔國際有限公司
 www.flying1688.com

■ ABSOLUTE MAXIMUM RATING ($T_A=25^{\circ}\text{C}$, unless otherwise specified)

PARAMETER		SYMBOL	RATINGS	UNIT
Collector-base voltage		V_{CBO}	20	V
Collector-emitter voltage		V_{CEO}	12	V
Emitter-base voltage		V_{EBO}	3	V
Collector current		I_C	100	mA
Power dissipation	SOT-89	P_D	500	mW
	SOT-323		200	mW
	TO-92		600	mW
Junction Temperature		T_J	+125	$^{\circ}\text{C}$
Operating Temperature		T_{OPR}	-20 ~ +85	$^{\circ}\text{C}$
Storage Temperature		T_{STG}	-40 ~ +150	$^{\circ}\text{C}$

Note Absolute maximum ratings are those values beyond which the device could be permanently damaged. Absolute maximum ratings are stress ratings only and functional device operation is not implied.

■ ELECTRICAL CHARACTERISTICS ($T_A=25^{\circ}\text{C}$, unless otherwise specified)

PARAMETER	SYMBOL	TEST CONDITIONS	MIN	TYP	MAX	UNIT
Collector Cutoff Current	I_{CBO}	$V_{CB}=10\text{V}, I_E=0$			1.0	μA
Emitter Cutoff Current	I_{EBO}	$V_{EB}=1\text{V}, I_C=0$			1.0	μA
DC Current Gain	h_{FE}	$V_{CE}=10\text{V}, I_C=20\text{mA}$	50		300	
Gain bandwidth Product	f_T	$V_{CE}=10\text{V}, I_C=20\text{mA}$		7		GHz
Feed-Back Capacitance	C_{re}	$V_{CB}=10\text{V}, I_E=0, f=1.0\text{MHz}$			1.0	pF
Noise Figure	NF	$V_{CE}=10\text{V}, I_C=7\text{mA}, f=1.0\text{GHz}$		1.1		dB

UTC assumes no responsibility for equipment failures that result from using products at values that exceed, even momentarily, rated values (such as maximum ratings, operating condition ranges, or other parameters) listed in products specifications of any and all UTC products described or contained herein. UTC products are not designed for use in life support appliances, devices or systems where malfunction of these products can be reasonably expected to result in personal injury. Reproduction in whole or in part is prohibited without the prior written consent of the copyright owner. UTC reserves the right to make changes to information published in this document, including without limitation specifications and product descriptions, at any time and without notice. This document supersedes and replaces all information supplied prior to the publication hereof.