



## 4N100-FCQ

Preliminary

Power MOSFET

### 4A, 1000V N-CHANNEL POWER MOSFET

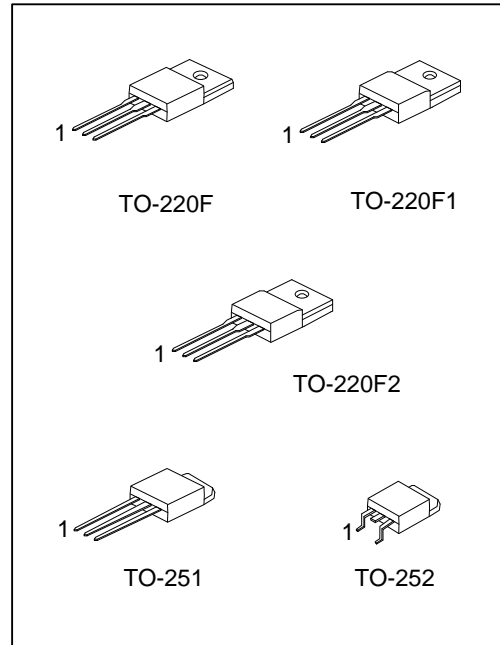
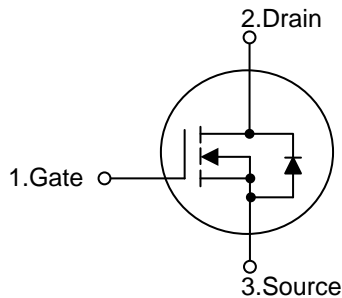
#### DESCRIPTION

The UTC 4N100-FCQ provide excellent  $R_{DS(ON)}$ , low gate charge and operation with low gate voltages. This device is suitable for use as a load switch or in PWM applications.

#### FEATURES

- \*  $R_{DS(ON)} \leq 6.7 \Omega @ V_{GS}=10V, I_D=1.0A$
- \* Fast switching capability
- \* Avalanche energy specified
- \* Improved dv/dt capability, high ruggedness

#### SYMBOL



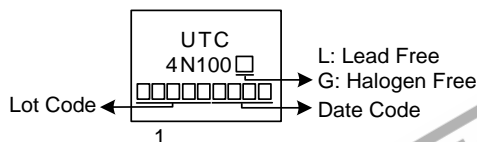
#### ORDERING INFORMATION

Ordering Number		Package	Pin Assignment			Packing
Lead Free	Halogen Free		1	2	3	
4N100L-TF1-T	4N100G-TF1-T	TO-220F1	G	D	S	Tube
4N100L-TF2-T	4N100G-TF2-T	TO-220F2	G	D	S	Tube
4N100L-TF3-T	4N100G-TF3-T	TO-220F	G	D	S	Tube
4N100L-TM3-T	4N100G-TM3-T	TO-251	G	D	S	Tube
4N100L-TN3-R	4N100G-TN3-R	TO-252	G	D	S	Tape Reel

Note: Pin Assignment: G: Gate D: Drain S: Source

<p>4N100G-TF1-T</p>	<p>(1) T: Tube, R: Tape Reel</p> <p>(2) TF3: TO-220F, TF1: TO-220F1, TF2: TO-220F2</p> <p>TM3: TO-251, TN3: TO-252</p> <p>(3) G: Halogen Free and Lead Free, L: Lead Free</p>
---------------------	---

#### MARKING



■ **ABSOLUTE MAXIMUM RATINGS** ( $T_C=25^\circ\text{C}$ , unless otherwise specified)

PARAMETER		SYMBOL	RATINGS	UNIT
Drain-Source Voltage		$V_{DSS}$	1000	V
Gate-Source Voltage		$V_{GSS}$	$\pm 30$	V
Continuous Drain Current		$I_D$	4	A
Pulsed Drain Current (Note 2)		$I_{DM}$	8	A
Avalanche Energy (Note 3)	Single Pulsed	$E_{AS}$	126	mJ
Peak Diode Recovery dv/dt (Note 4)		dv/dt	2.7	V/ns
Power Dissipation ( $T_A=25^\circ\text{C}$ )	TO-220F/TO-220F1	$P_D$	20	W
	TO-220F2			
	TO-251/TO-252		45	W
Junction Temperature		$T_J$	+150	$^\circ\text{C}$
Storage Temperature		$T_{STG}$	-55 ~ +150	$^\circ\text{C}$

Notes: 1. Absolute maximum ratings are those values beyond which the device could be permanently damaged.

Absolute maximum ratings are stress ratings only and functional device operation is not implied.

2. Repetitive Rating: Pulse width limited by maximum junction temperature.

3.  $L=30\text{mH}$ ,  $I_{AS}=2.9\text{A}$ ,  $V_{DD}=100\text{V}$ ,  $R_G=25\ \Omega$ , Starting  $T_J = 25^\circ\text{C}$

4.  $I_{SD} \leq 4.0\text{A}$ ,  $di/dt \leq 200\text{A}/\mu\text{s}$ ,  $V_{DD} \leq BV_{DSS}$ , Starting  $T_J = 25^\circ\text{C}$

■ **THERMAL DATA**

PARAMETER		SYMBOL	RATING	UNIT
Junction to Ambient	TO-220F/TO-220F1	$\theta_{JA}$	62.5	$^\circ\text{C}/\text{W}$
	TO-220F2			
	TO-251/TO-252		110	$^\circ\text{C}/\text{W}$
Junction to Case	TO-220F/TO-220F1	$\theta_{JC}$	6.25	$^\circ\text{C}/\text{W}$
	TO-220F2			
	TO-251/TO-252		2.7 (Note)	$^\circ\text{C}/\text{W}$

Note: Device mounted on FR-4 substrate PC board, 2oz copper, with 1inch square copper plate.

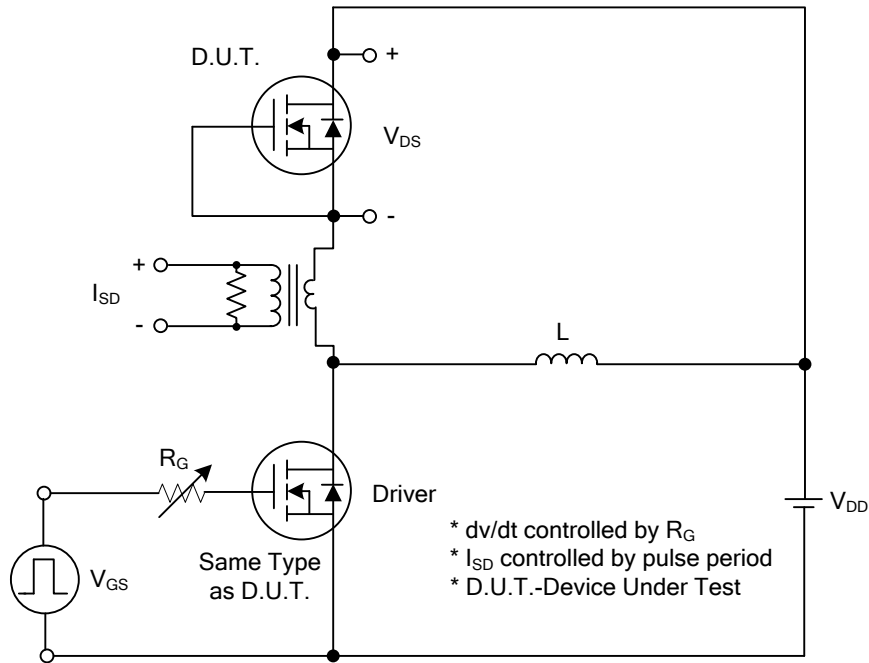
■ **ELECTRICAL CHARACTERISTICS** ( $T_J=25^\circ\text{C}$ , unless otherwise specified)

PARAMETER	SYMBOL	TEST CONDITIONS	MIN	TYP	MAX	UNIT
<b>OFF CHARACTERISTICS</b>						
Drain-Source Breakdown Voltage	$BV_{DSS}$	$V_{GS} = 0V, I_D = 250\mu A$	1000			V
Drain-Source Leakage Current	$I_{DSS}$	$V_{DS} = 1000V, V_{GS} = 0V$			10	$\mu A$
Gate-Source Leakage Current	Forward	$V_{GS} = 30V, V_{DS} = 0V$			100	nA
	Reverse		$V_{GS} = -30V, V_{DS} = 0V$		-100	nA
<b>ON CHARACTERISTICS</b>						
Gate Threshold Voltage	$V_{GS(TH)}$	$V_{DS} = V_{GS}, I_D = 250\mu A$	3.0		5.0	V
Static Drain-Source On-State Resistance	$R_{DS(ON)}$	$V_{GS} = 10V, I_D = 1.0A$			6.7	$\Omega$
<b>DYNAMIC CHARACTERISTICS</b>						
Input Capacitance	$C_{ISS}$	$V_{DS} = 25V, V_{GS} = 0V, f = 1MHz$		520		pF
Output Capacitance	$C_{OSS}$			49		pF
Reverse Transfer Capacitance	$C_{RSS}$			1.9		pF
<b>SWITCHING CHARACTERISTICS</b>						
Total Gate Charge	$Q_G$	$V_{DS} = 800V, V_{GS} = 10V, I_D = 4A, I_G = 1mA$ (Note 1, 2)		9		nC
Gate-Source Charge	$Q_{GS}$			4.6		nC
Gate-Drain Charge	$Q_{GD}$			0.5		nC
Turn-On Delay Time	$t_{D(ON)}$	$V_{DD} = 100V, V_{GS} = 10V, I_D = 4A, R_G = 25\Omega$ (Note 1, 2)		9		ns
Turn-On Rise Time	$t_R$			15		ns
Turn-Off Delay Time	$t_{D(OFF)}$			18		ns
Turn-Off Fall Time	$t_F$			28		ns
<b>DRAIN-SOURCE DIODE CHARACTERISTICS</b>						
Maximum Body-Diode Continuous Current	$I_S$				4	A
Continuous Drain-Source Current	$I_{SD}$				8	A
Drain-Source Diode Forward Voltage	$V_{SD}$	$I_S = 4A, V_{GS} = 0V$			1.4	V
Reverse Recovery Time	$t_{rr}$	$I_F = 4A, di/dt = 100A/\mu s$		480		ns
Reverse Recovery Charge	$Q_{rr}$				7.2	

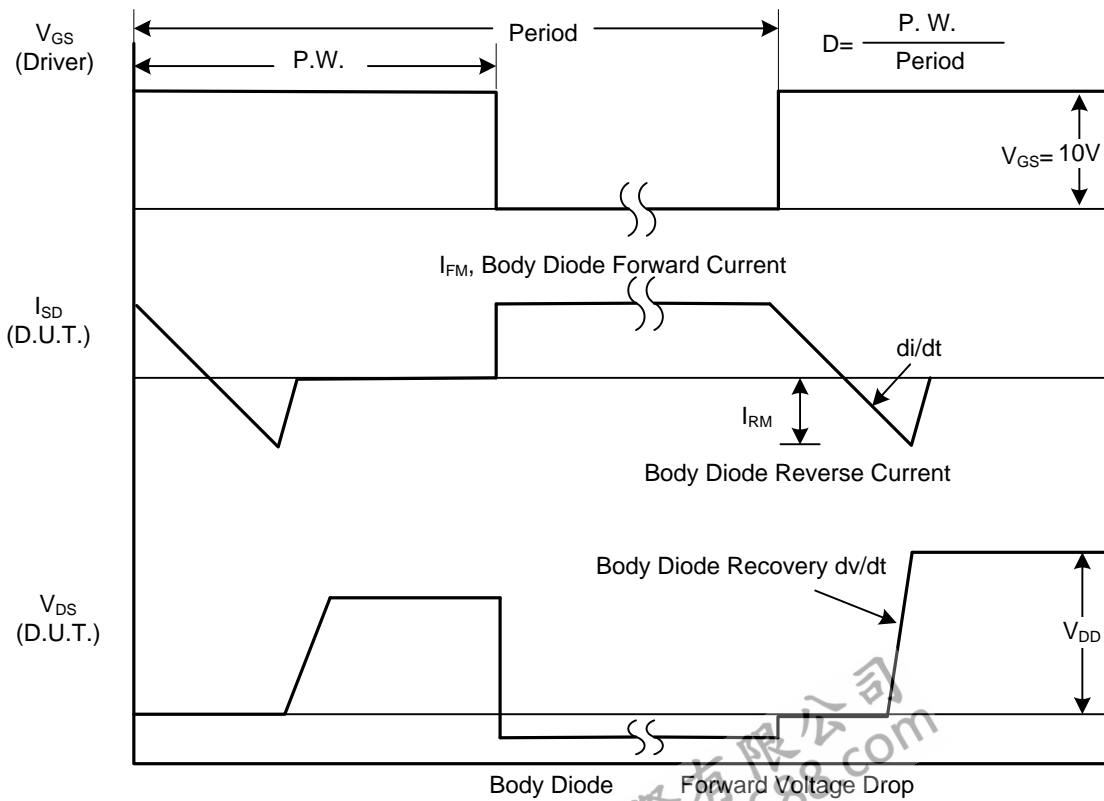
Notes: 1. Pulse Test: Pulse width  $\leq 300\mu s$ , Duty cycle  $\leq 2\%$ .

2. Essentially independent of operating temperature.

■ TEST CIRCUITS AND WAVEFORMS

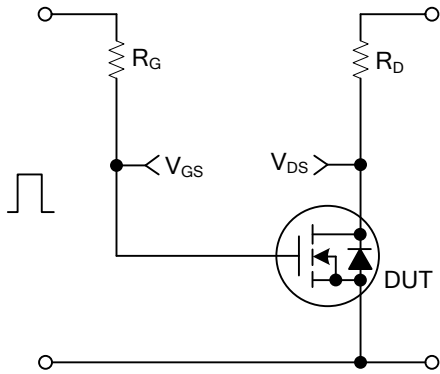


Peak Diode Recovery dv/dt Test Circuit

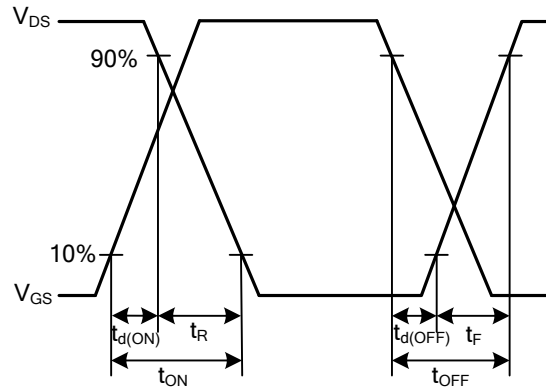


Peak Diode Recovery dv/dt Waveforms

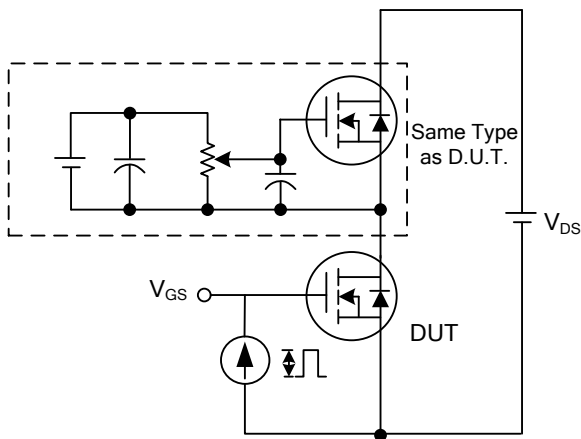
TEST CIRCUITS AND WAVEFORMS



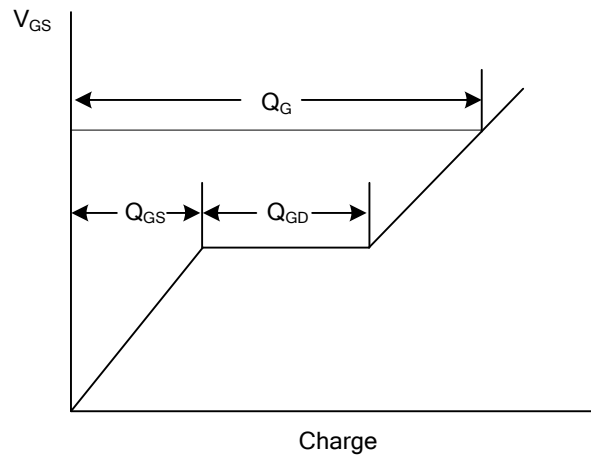
Switching Test Circuit



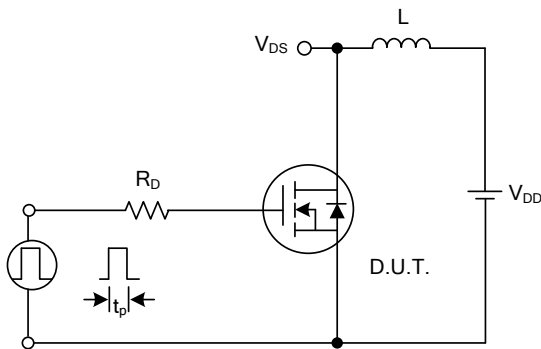
Switching Waveforms



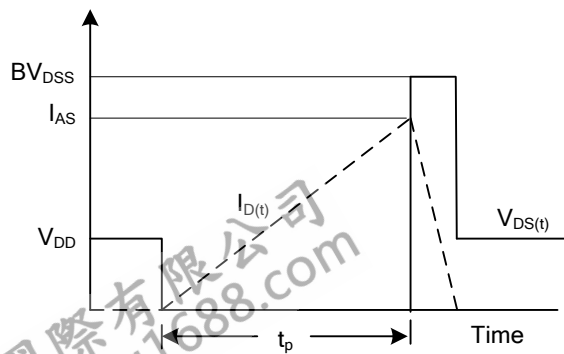
Gate Charge Test Circuit



Gate Charge Waveform



Unclamped Inductive Switching Test Circuit



Unclamped Inductive Switching Waveforms

UTC assumes no responsibility for equipment failures that result from using products at values that exceed, even momentarily, rated values (such as maximum ratings, operating condition ranges, or other parameters) listed in products specifications of any and all UTC products described or contained herein. UTC products are not designed for use in life support appliances, devices or systems where malfunction of these products can be reasonably expected to result in personal injury. Reproduction in whole or in part is prohibited without the prior written consent of the copyright owner. UTC reserves the right to make changes to information published in this document, including without limitation specifications and product descriptions, at any time and without notice. This document supersedes and replaces all information supplied prior to the publication hereof.