



4N70-E

Power MOSFET

4.4A, 700V N-CHANNEL POWER MOSFET

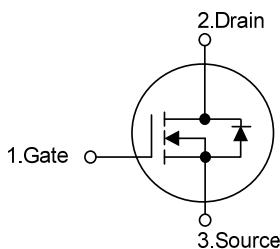
■ DESCRIPTION

The UTC **4N70-E** is a high voltage power MOSFET and is designed to have better characteristics, such as fast switching time, low gate charge, low on-state resistance and high rugged avalanche. This high speed switching power MOSFET is usually used in power supplies, PWM motor controls, high efficient DC to DC converters and bridge circuits.

■ FEATURES

- * $R_{DS(ON)} < 3.2\Omega @ V_{GS} = 10V, I_D = 2.2A$
- * Low Reverse Transfer Capacitance ($C_{RSS} = \text{Typical } 13pF$)
- * Fast Switching Capability
- * Avalanche Energy Specified
- * Improved dv/dt Capability, High Ruggedness

■ SYMBOL

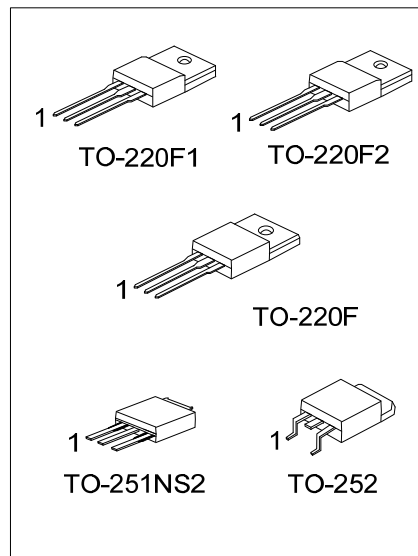


■ ORDERING INFORMATION

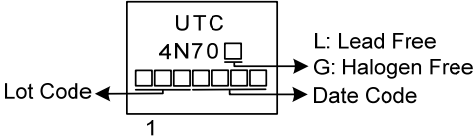
Ordering Number		Package	Pin Assignment			Packing
Lead Free	Halogen Free		1	2	3	
4N70L-TF1-T	4N70G-TF1-T	TO-220F1	G	D	S	Tube
4N70L-TF2-T	4N70G-TF2-T	TO-220F2	G	D	S	Tube
4N70L-TF3-T	4N70G-TF3-T	TO-220F	G	D	S	Tube
4N70L-TMN2-T	4N70G-TMN2-T	TO-251NS2	G	D	S	Tube
4N70L-TN3-R	4N70G-TN3-R	TO-252	G	D	S	Tape Reel

Note: Pin Assignment: G: Gate D: Drain S: Source

<p>4N70G-TF1-T</p>	<p>(1) T: Tube, R: Tape Reel (2) TF1: TO-220F1, TF2: TO-220F2, TF3: TO-220F TMN2: TO-251NS2, TN3: TO-252 (3) G: Halogen Free and Lead Free, L: Lead Free</p>
--------------------	---



MARKING



FLYING 汎翔國際有限公司
www.flying1688.com

■ ABSOLUTE MAXIMUM RATINGS ($T_A = 25^\circ\text{C}$, unless otherwise specified)

PARAMETER		SYMBOL	RATINGS	UNIT
Drain-Source Voltage		V_{DSS}	700	V
Gate-Source Voltage		V_{GSS}	± 30	V
Avalanche Current (Note 2)		I_{AR}	4.4	A
Drain Current	Continuous	I_D	4.4	A
	Pulsed (Note 2)	I_{DM}	17.6	A
Avalanche Energy	Single Pulsed (Note 3)	E_{AS}	160	mJ
	Repetitive (Note 2)	E_{AR}	10.6	mJ
Peak Diode Recovery dv/dt (Note 4)		dv/dt	4.5	V/ns
Power Dissipation	TO-220F/TO-220F1	P_D	36	W
	TO-220F2			
	TO-251NS2/TO-252		49	W
Junction Temperature		T_J	+150	$^\circ\text{C}$
Operating Temperature		T_{OPR}	-55 ~ +150	$^\circ\text{C}$
Storage Temperature		T_{STG}	-55 ~ +150	$^\circ\text{C}$

Notes: 1. Absolute maximum ratings are those values beyond which the device could be permanently damaged.

Absolute maximum ratings are stress ratings only and functional device operation is not implied.

2. Repetitive Rating: Pulse width limited by maximum junction temperature.

3. $L = 20\text{mH}$, $I_{AS} = 4\text{A}$, $V_{DD} = 50\text{V}$, $R_G = 25\ \Omega$, Starting $T_J = 25^\circ\text{C}$

4. $I_{SD} \leq 4.4\text{A}$, $di/dt \leq 200\text{A}/\mu\text{s}$, $V_{DD} \leq BV_{DSS}$, Starting $T_J = 25^\circ\text{C}$

■ THERMAL DATA

PARAMETER		SYMBOL	RATINGS	UNIT
Junction to Ambient	TO-220F/TO-220F1	θ_{JA}	62.5	$^\circ\text{C}/\text{W}$
	TO-220F2			
	TO-251NS2/TO-252		110	$^\circ\text{C}/\text{W}$
Junction to Case	TO-220F/TO-220F1	θ_{JC}	3.47	$^\circ\text{C}/\text{W}$
	TO-220F2			
	TO-251NS2/TO-252		2.55	$^\circ\text{C}/\text{W}$

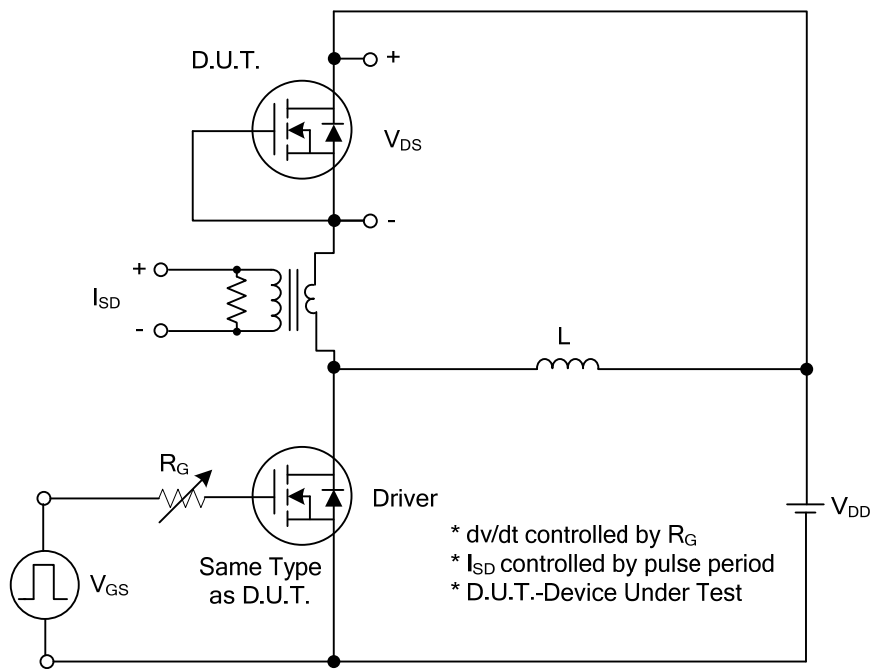
■ ELECTRICAL CHARACTERISTICS (T_A=25°C, unless otherwise specified)

PARAMETER	SYMBOL	TEST CONDITIONS	MIN	TYP	MAX	UNIT
OFF CHARACTERISTICS						
Drain-Source Breakdown Voltage	BV _{DSS}	V _{GS} =0V, I _D =250μA	700			V
Drain-Source Leakage Current	I _{DSS}	V _{DS} =700V, V _{GS} =0V			10	μA
Gate-Source Leakage Current	Forward	I _{GSS}			100	nA
	Reverse				-100	
Breakdown Voltage Temperature Coefficient	ΔBV _{DSS} /ΔT _J	I _D =250μA, Referenced to 25°C		0.6		V/°C
ON CHARACTERISTICS						
Gate Threshold Voltage	V _{GS(TH)}	V _{DS} =V _{GS} , I _D =250μA	2.0		4.0	V
Static Drain-Source On-State Resistance	R _{DS(ON)}	V _{GS} =10V, I _D =2.2A		2.8	3.2	Ω
DYNAMIC CHARACTERISTICS						
Input Capacitance	C _{ISS}	V _{DS} =25V, V _{GS} =0V, f=1MHz		520		pF
Output Capacitance	C _{OSS}			70		pF
Reverse Transfer Capacitance	C _{RSS}			13		pF
SWITCHING CHARACTERISTICS						
Total Gate Charge	Q _G	V _{DS} =100V, I _D =4.4A, V _{GS} =10V (Note 1,2)		18.2		nC
Gate-Source Charge	Q _{GS}			5.6		nC
Gate-Drain Charge	Q _{GD}			5.4		nC
Turn-On Delay Time	t _{D(ON)}	V _{DD} =350V, I _D =4.4A, R _G =25Ω (Note 1,2)		8		ns
Turn-On Rise Time	t _R			22		ns
Turn-Off Delay Time	t _{D(OFF)}			61		ns
Turn-Off Fall Time	t _F			28		ns
SOURCE- DRAIN DIODE RATINGS AND CHARACTERISTICS						
Maximum Continuous Drain-Source Diode Forward Current	I _S				4.4	A
Maximum Pulsed Drain-Source Diode Forward Current	I _{SM}				17.6	A
Drain-Source Diode Forward Voltage	V _{SD}	V _{GS} =0V, I _S =4.4A			1.4	V
Reverse Recovery Time	t _{rr}	V _{GS} =0V, I _S =4.4A, dI/dt=100A/μs(Note 1)		350		ns
Reverse Recovery Charge	Q _{rr}			3.2		μC

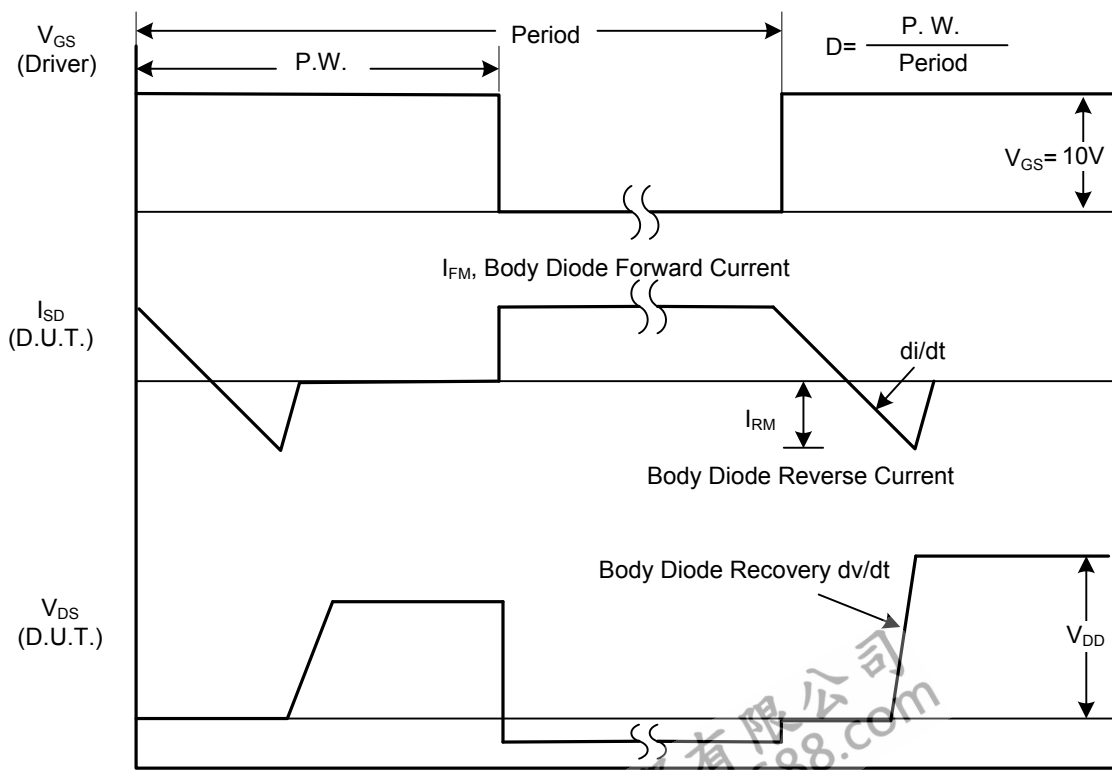
Notes: 1. Pulse Test: Pulse width ≤ 300μs, Duty cycle ≤ 2%.

2. Essentially independent of operating temperature.

■ TEST CIRCUITS AND WAVEFORMS

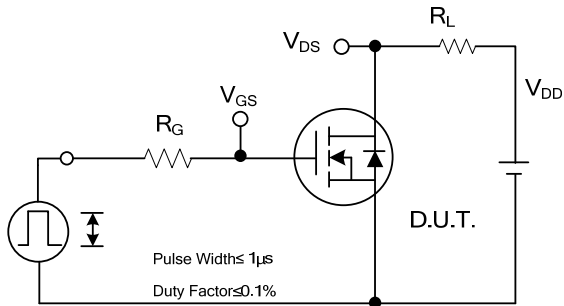


Peak Diode Recovery dv/dt Test Circuit

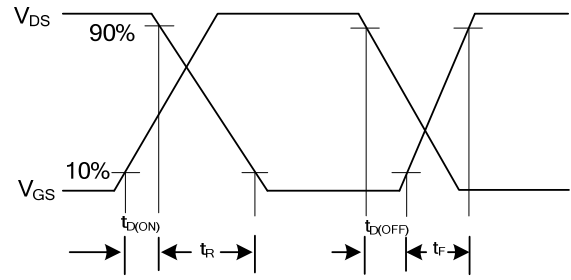


Peak Diode Recovery dv/dt Waveforms

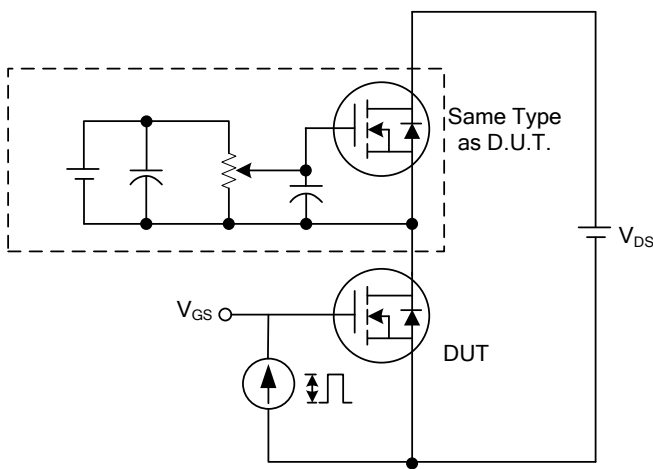
TEST CIRCUITS AND WAVEFORMS



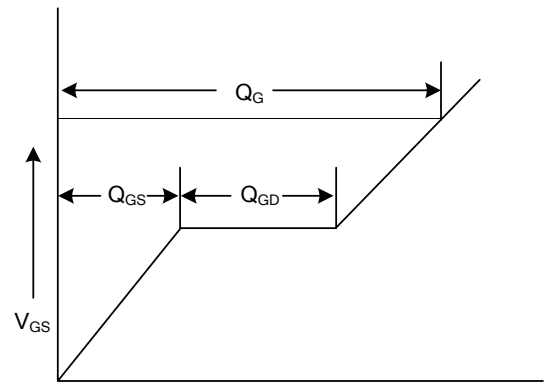
Switching Test Circuit



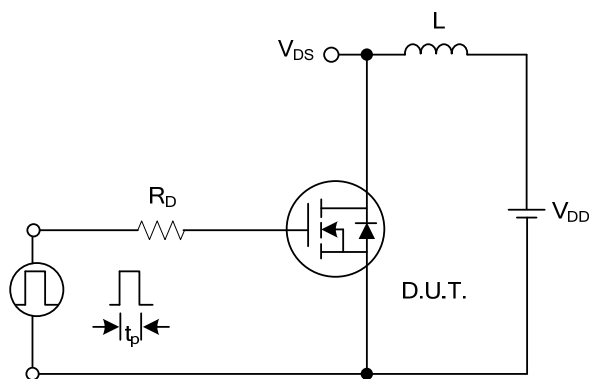
Switching Waveforms



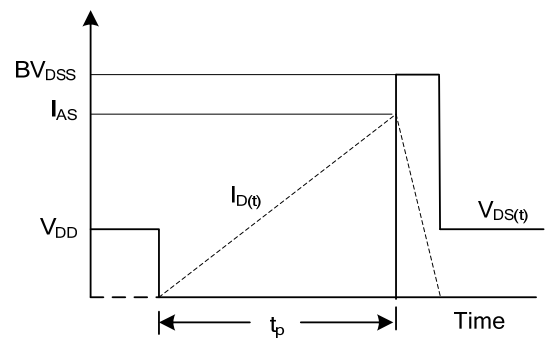
Gate Charge Test Circuit



Gate Charge Waveform

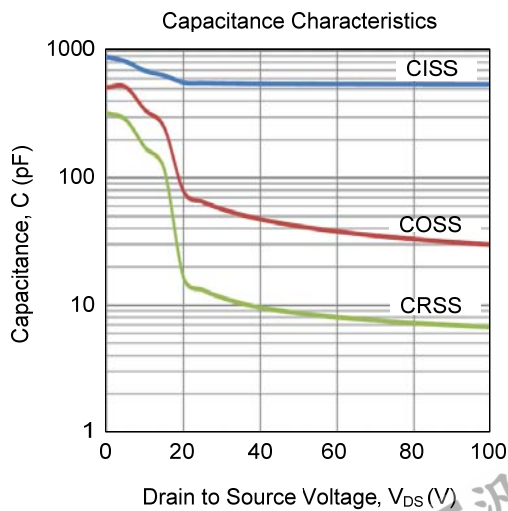
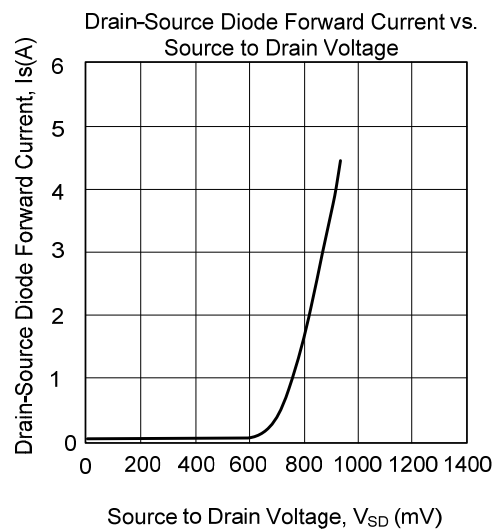
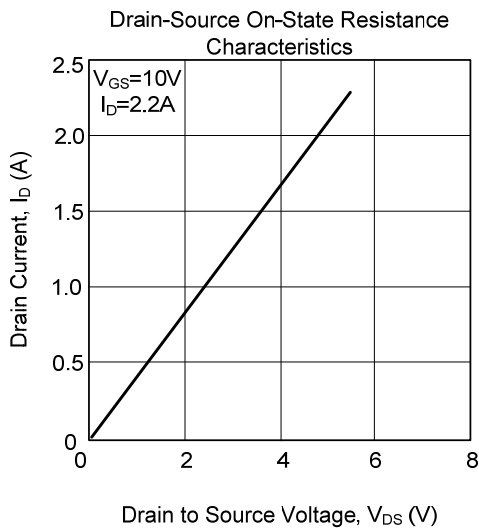
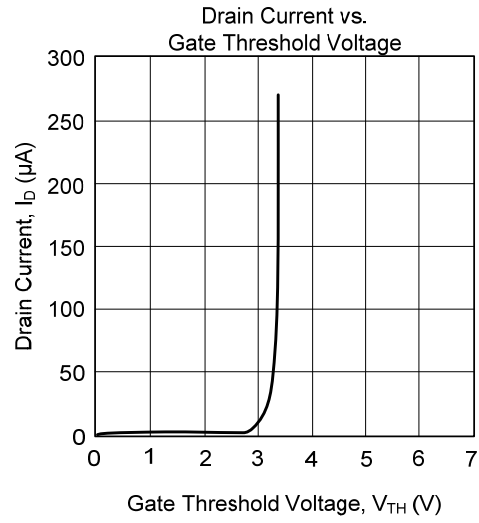
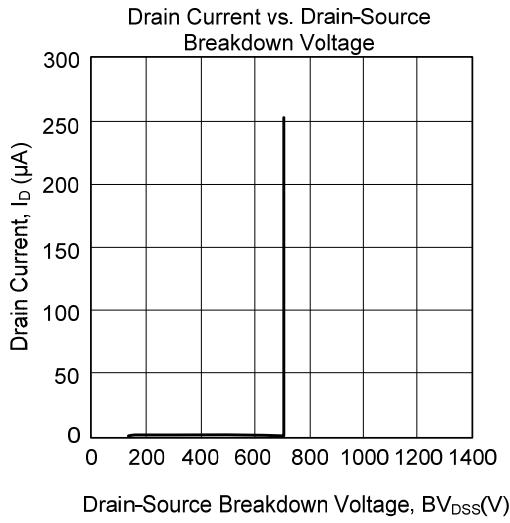


Unclamped Inductive Switching Test Circuit



Unclamped Inductive Switching Waveforms

TYPICAL CHARACTERISTICS



UTC assumes no responsibility for equipment failures that result from using products at values that exceed, even momentarily, rated values (such as maximum ratings, operating condition ranges, or other parameters) listed in products specifications of any and all UTC products described or contained herein. UTC products are not designed for use in life support appliances, devices or systems where malfunction of these products can be reasonably expected to result in personal injury. Reproduction in whole or in part is prohibited without the prior written consent of the copyright owner. UTC reserves the right to make changes to information published in this document, including without limitation specifications and product descriptions, at any time and without notice. This document supersedes and replaces all information supplied prior to the publication hereof.