



## 4N80-C

Power MOSFET

### 4.0A, 800V N-CHANNEL POWER MOSFET

#### ■ DESCRIPTION

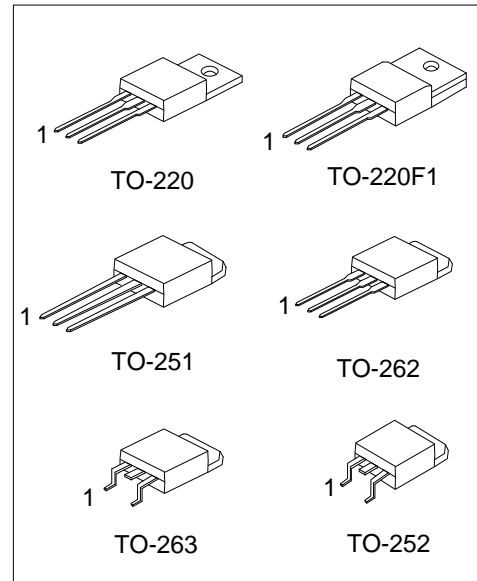
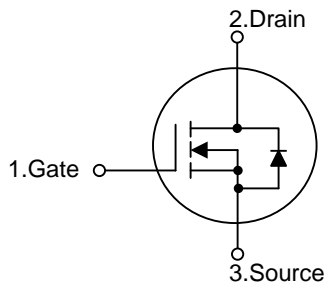
The UTC 4N80-C is a N-channel mode power MOSFET using UTC's advanced technology to provide customers planar stripe and DMOS technology. This technology is specialized in allowing a minimum on-state resistance, and superior switching performance. It also can withstand high energy pulse in the avalanche and commutation mode.

The UTC 4N80-C is universally applied in high efficiency switch mode power supply.

#### ■ FEATURES

- \*  $R_{DS(on)} \leq 3.0 \Omega$  @  $V_{GS}=10V, I_D=2.0A$
- \* High switching speed
- \* Improved dv/dt capability
- \* 100% avalanche tested

#### ■ SYMBOL



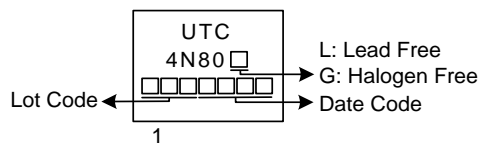
### ORDERING INFORMATION

Ordering Number		Package	Pin Assignment			Packing
Lead Free	Halogen Free		1	2	3	
4N80L-TA3-T	4N80G-TA3-T	TO-220	G	D	S	Tube
4N80L-TF1-T	4N80G-TF1-T	TO-220F1	G	D	S	Tube
4N80L-TM3-T	4N80G-TM3-T	TO-251	G	D	S	Tube
4N80L-TN3-R	4N80G-TN3-R	TO-252	G	D	S	Tape Reel
4N80L-TND-R	4N80G-TND-R	TO-252D	G	D	S	Tape Reel
4N80L-T2Q-T	4N80G-T2Q-T	TO-262	G	D	S	Tube
4N80L-TQ2-T	4N80G-TQ2-T	TO-263	G	D	S	Tube
4N80L-TQ2-R	4N80G-TQ2-R	TO-263	G	D	S	Tape Reel

Note: Pin Assignment: G: Gate D: Drain S: Source

<p>4N80G-TA3-T</p> <p>(1) Packing Type</p> <p>(2) Package Type</p> <p>(3) Green Package</p>	<p>(1) T: Tube, R: Tape Reel</p> <p>(2) TA3: TO-220, TF1: TO-220F1, TM3: TO-251, TN3: TO-252, TND: TO-252D, T2Q: TO-262, TQ2: TO-263</p> <p>(3) G: Halogen Free and Lead Free, L: Lead Free</p>
---	---

### MARKING



汎翔國際有限公司  
 www.flying1688.com

■ **ABSOLUTE MAXIMUM RATINGS** ( $T_C=25^\circ\text{C}$ , unless otherwise specified)

PARAMETER		SYMBOL	RATINGS	UNIT
Drain-Source Voltage		$V_{DSS}$	800	V
Gate-Source Voltage		$V_{GSS}$	$\pm 30$	V
Drain Current	Continuous	$I_D$	4.0	A
	Pulsed (Note 2)	$I_{DM}$	16	A
Avalanche Energy	Single Pulsed (Note 3)	$E_{AS}$	369	mJ
	Repetitive (Note 2)	$E_{AR}$	13	mJ
Peak Diode Recovery dv/dt (Note 4)		dv/dt	2.5	V/ns
Power Dissipation	TO-220/TO-262 TO-263	$P_D$	106	W
	TO-220F1		36	W
	TO-251/ TO-252 TO-252D		50	W
Junction Temperature		$T_J$	+150	$^\circ\text{C}$
Storage Temperature		$T_{STG}$	-55 ~ +150	$^\circ\text{C}$

Notes: 1. Absolute maximum ratings are those values beyond which the device could be permanently damaged.

Absolute maximum ratings are stress ratings only and functional device operation is not implied.

2. Repetitive Rating: Pulse width limited by maximum junction temperature

3.  $L=57\text{mH}$ ,  $I_{AS}=3.6\text{A}$ ,  $V_{DD}=50\text{V}$ ,  $R_G=25\Omega$ , Starting  $T_J=25^\circ\text{C}$

4.  $I_{SD}\leq 4\text{A}$ ,  $di/dt\leq 200\text{A}/\mu\text{s}$ ,  $V_{DD}\leq BV_{DSS}$ , Starting  $T_J=25^\circ\text{C}$

■ **THERMAL DATA**

PARAMETER		SYMBOL	RATINGS	UNIT
Junction to Ambient	TO-220/TO-220F1 TO-262/TO-263	$\theta_{JA}$	62.5	$^\circ\text{C}/\text{W}$
	TO-251/ TO-252 TO-252D		110	$^\circ\text{C}/\text{W}$
Junction to Case	TO-220/TO-262 TO-263	$\theta_{JC}$	1.18	$^\circ\text{C}/\text{W}$
	TO-220F1		3.47	$^\circ\text{C}/\text{W}$
	TO-251/ TO-252 TO-252D		2.5	$^\circ\text{C}/\text{W}$

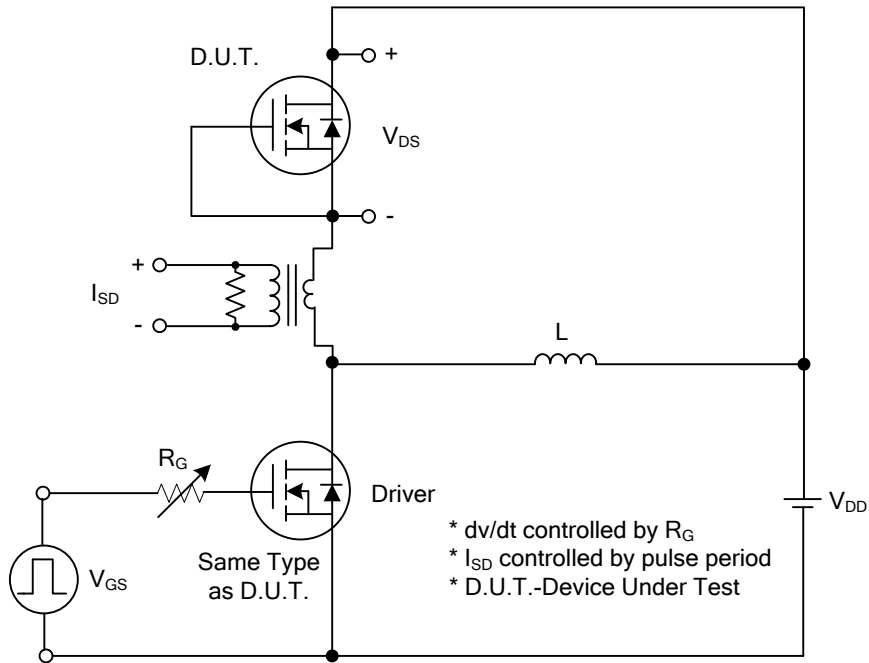
■ **ELECTRICAL CHARACTERISTICS** ( $T_J=25^\circ\text{C}$ , unless otherwise specified)

PARAMETER	SYMBOL	TEST CONDITIONS	MIN	TYP	MAX	UNIT
<b>OFF CHARACTERISTICS</b>						
Drain-Source Breakdown Voltage	$BV_{DSS}$	$V_{GS}=0V, I_D=250\mu A$	800			V
Breakdown Voltage Temperature Coefficient	$\Delta BV_{DSS}/\Delta T_J$	$I_D=250\mu A$ , Referenced to $25^\circ\text{C}$		950		mV/ $^\circ\text{C}$
Drain-Source Leakage Current	$I_{DSS}$	$V_{DS}=800V, V_{GS}=0V$			10	$\mu A$
		$V_{DS}=640V, T_C=125^\circ\text{C}$			100	$\mu A$
Gate-Source Leakage Current	Forward	$I_{GSS}$				
	Reverse					
		$V_{DS}=0V, V_{GS}=30V$			100	nA
		$V_{DS}=0V, V_{GS}=-30V$			-100	nA
<b>ON CHARACTERISTICS</b>						
Gate Threshold Voltage	$V_{GS(TH)}$	$V_{DS}=V_{GS}, I_D=250\mu A$	3.0		5.0	V
Drain-Source On-State Resistance	$R_{DS(ON)}$	$V_{GS}=10V, I_D=2.0A$			3.0	$\Omega$
<b>DYNAMIC PARAMETERS</b>						
Input Capacitance	$C_{ISS}$	$V_{GS}=0V, V_{DS}=25V,$ $f=1.0\text{MHz}$		753		pF
Output Capacitance	$C_{OSS}$			98		pF
Reverse Transfer Capacitance	$C_{RSS}$			11		pF
<b>SWITCHING PARAMETERS</b>						
Total Gate Charge (Note 1)	$Q_G$	$V_{DS}=640V, V_{GS}=10V,$ $I_D=4A$ (Note 1,2)		41.6		nC
Gate-Source Charge	$Q_{GS}$			6.4		nC
Gate-Drain Charge	$Q_{GD}$			14.6		nC
Turn-ON Delay Time (Note 1)	$t_{D(ON)}$	$V_{DD}=400V, I_D=4A,$ $R_G=25\Omega$ (Note 1,2)		60		ns
Turn-ON Rise Time	$t_R$			68		ns
Turn-OFF Delay Time	$t_{D(OFF)}$			192		ns
Turn-OFF Fall Time	$t_F$			50		ns
<b>SOURCE- DRAIN DIODE RATINGS AND CHARACTERISTICS</b>						
Maximum Body-Diode Continuous Current	$I_S$				4	A
Maximum Body-Diode Pulsed Current	$I_{SM}$				16	A
Drain-Source Diode Forward Voltage (Note 1)	$V_{SD}$	$I_S=4A, V_{GS}=0V$			1.4	V
Body Diode Reverse Recovery Time (Note 1)	$t_{rr}$	$V_{GS}=0V, I_S=4A,$ $dI_F/dt=100A/\mu s$ (Note 1)		470		ns
Body Diode Reverse Recovery Charge	$Q_{rr}$			4.8		$\mu C$

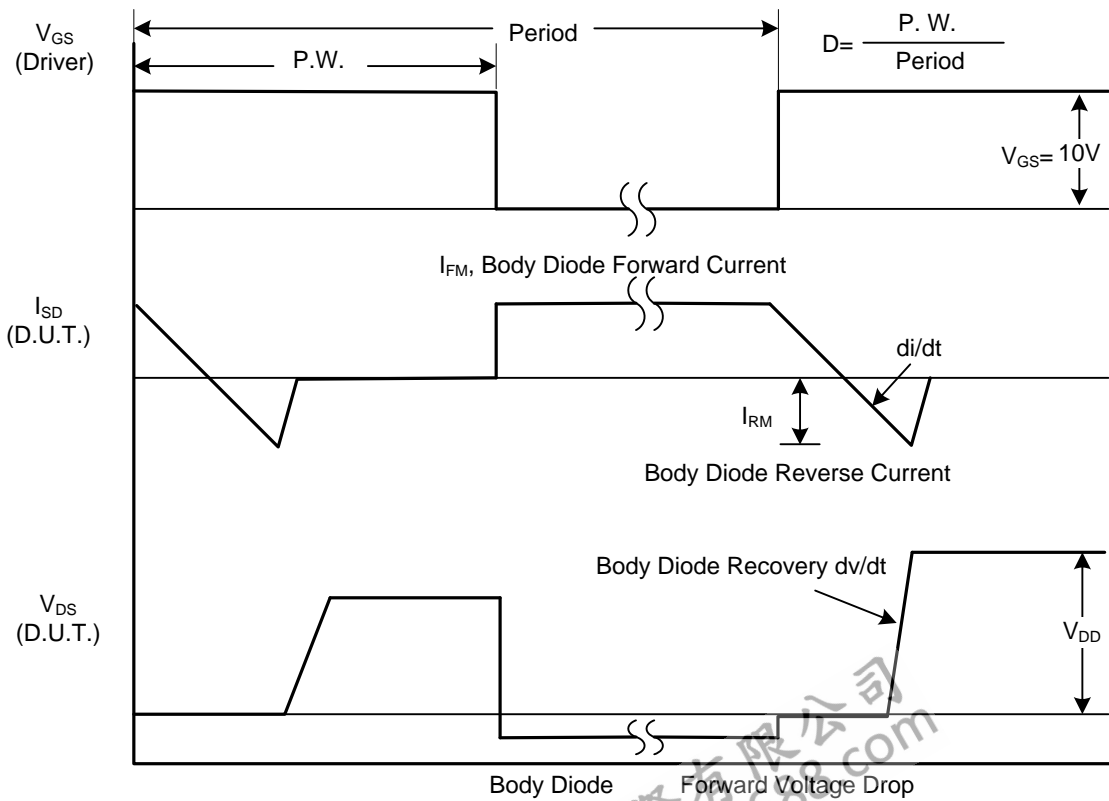
Notes: 1. Pulse Test: Pulse width  $\leq 300\mu s$ , Duty cycle  $\leq 2\%$ .

2. Essentially independent of operating temperature.

■ TEST CIRCUITS AND WAVEFORMS

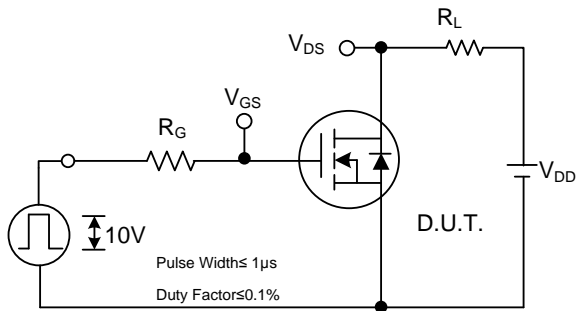


Peak Diode Recovery  $dv/dt$  Test Circuit

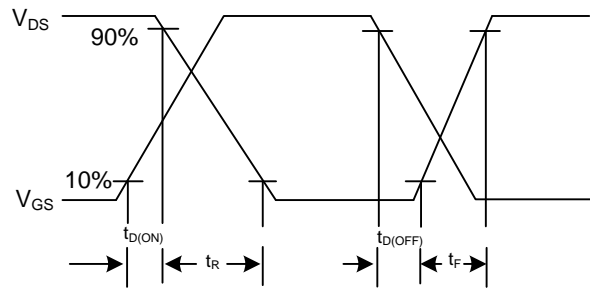


Peak Diode Recovery  $dv/dt$  Waveforms

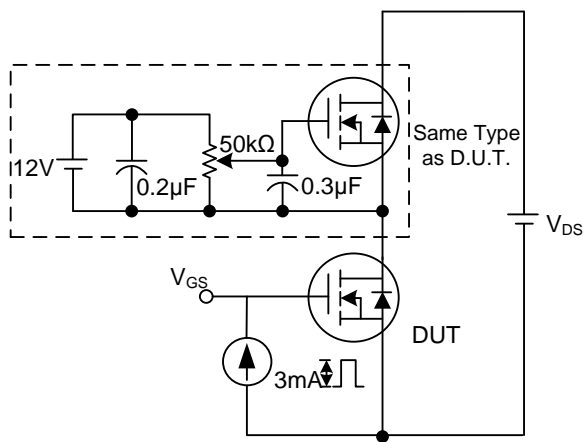
## TEST CIRCUITS AND WAVEFORMS(Cont.)



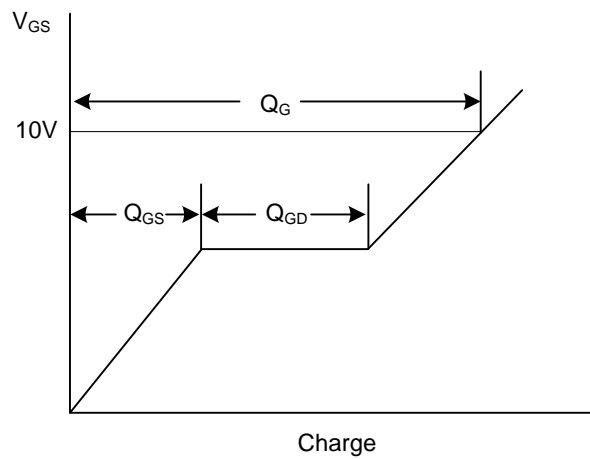
Switching Test Circuit



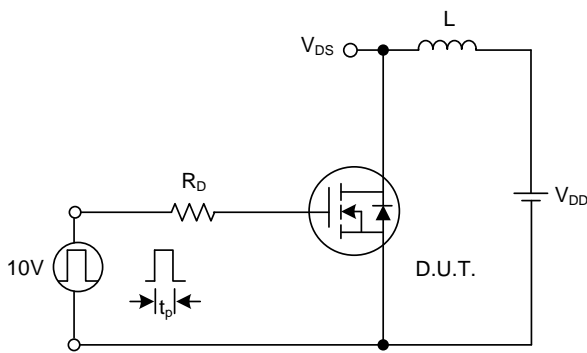
Switching Waveforms



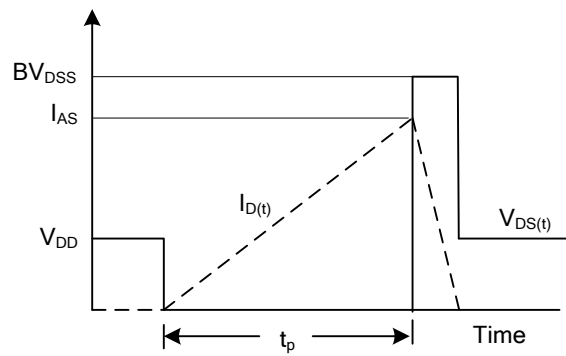
Gate Charge Test Circuit



Gate Charge Waveform

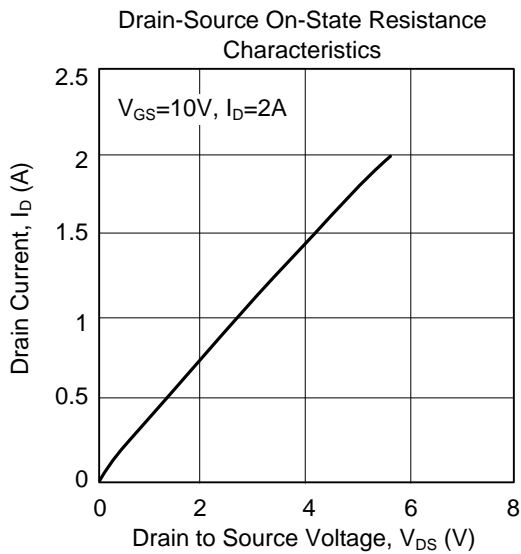
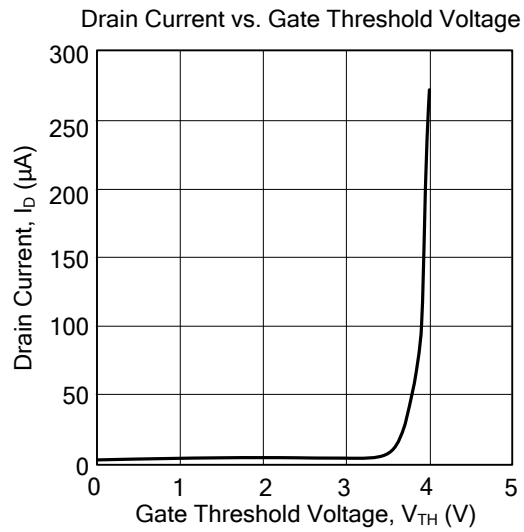
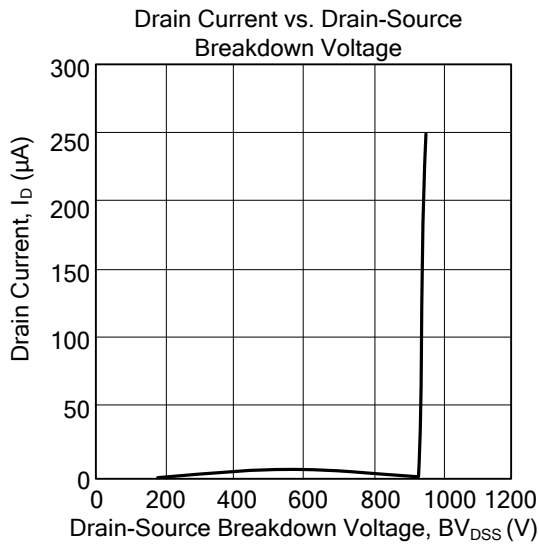


Unclamped Inductive Switching Test Circuit



Unclamped Inductive Switching Waveforms

■ TYPICAL CHARACTERISTICS



UTC assumes no responsibility for equipment failures that result from using products at values that exceed, even momentarily, rated values (such as maximum ratings, operating condition ranges, or other parameters) listed in products specifications of any and all UTC products described or contained herein. UTC products are not designed for use in life support appliances, devices or systems where malfunction of these products can be reasonably expected to result in personal injury. Reproduction in whole or in part is prohibited without the prior written consent of the copyright owner. UTC reserves the right to make changes to information published in this document, including without limitation specifications and product descriptions, at any time and without notice. This document supersedes and replaces all information supplied prior to the publication hereof.