



## 6N10

Power MOSFET

### 6.5 Amps, 100 Volts N-CHANNEL POWER MOSFET

#### DESCRIPTION

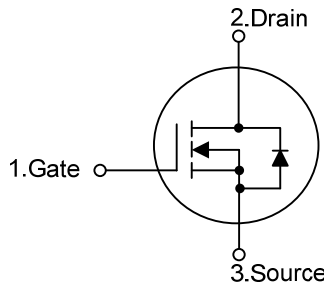
The UTC **6N10** is an N-Channel enhancement mode power FET providing customers with excellent switching performance and minimum on-state resistance.

The UTC **6N10** is generally applied in voltage applications, such as DC motor control, audio amplifier and high efficiency switching DC/DC converters.

#### FEATURES

- \*  $R_{DS(ON)} < 0.2\Omega @ V_{GS}=10V, I_D=3.0A$
- \* Fast switching
- \* Improved dv/dt capability

#### SYMBOL

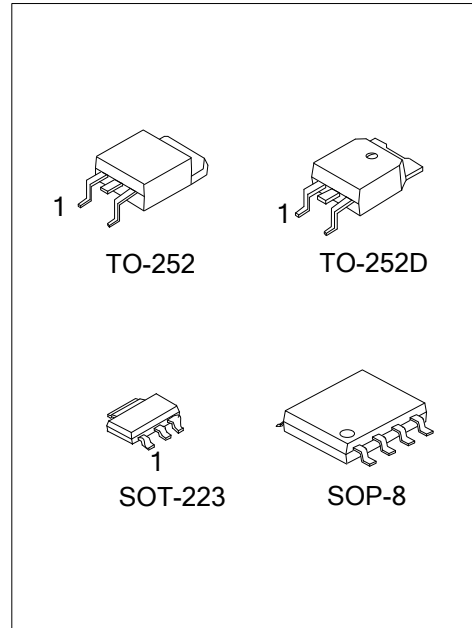


#### ORDERING INFORMATION

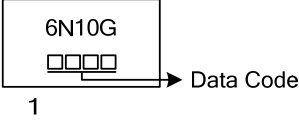
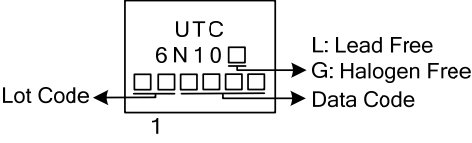
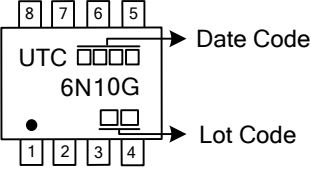
Ordering Number		Package	Pin Assignment								Packing
Lead Free	Halogen Free		1	2	3	4	5	6	7	8	
-	6N10G-AA3-R	SOT-223	G	D	S	-	-	-	-	-	Tape Reel
6N10L-TN3-R	6N10G-TN3-R	TO-252	G	D	S	-	-	-	-	-	Tape Reel
6N10L-TND-R	6N10G-TND-R	TO-252D	G	D	S	-	-	-	-	-	Tape Reel
-	6N10G-S08-R	SOP-8	S	S	S	G	D	D	D	D	Tape Reel

Note: Pin Assignment: G: Gate D: Drain S: Source

<p>6N10G-AA3-R</p> <p>(1)Packing Type</p> <p>(2)Package Type</p> <p>(3)Green Package</p>	<p>(1) R: Tape Reel</p> <p>(2) AA3: SOT-223, TN3: TO-252, TND: TO-252D</p> <p>S08: SOP-8</p> <p>(3) G: Halogen Free and Lead Free, L: Lead Free</p>
--	---



MARKING

PACKAGE	MARKING
SOT-223	 <p>6N10G □□□ → Data Code 1</p>
TO-252 TO-252D	 <p>UTC 6N10 □ □□□□□ → Data Code Lot Code ← □ 1</p> <p>L: Lead Free G: Halogen Free</p>
SOP-8	 <p>8 7 6 5 → Date Code UTC □□□□ 6N10G □□ → Lot Code 1 2 3 4</p>

FLYING 汎翔國際有限公司  
 www.flying1688.com

■ ABSOLUTE MAXIMUM RATINGS ( $T_c = 25^\circ\text{C}$ , unless otherwise specified)

PARAMETER		SYMBOL	RATINGS	UNIT
Drain-Source Voltage		$V_{DS}$	100	V
Gate-Source Voltage		$V_{GS}$	$\pm 20$	V
Continuous Drain Current	Continuous	$I_D$	6.5	A
	Pulsed	$I_{DM}$	8.0	A
Repetitive Avalanche Energy (Duty Cycle $\leq 1\%$ )	L=0.1mH	$E_{AR}$	1.25	mJ
Power Dissipation	SOT-223	$P_D$	2.2	W
	TO-252/TO-252D		16	
	SOP-8		1.6	
Junction Temperature		$T_J$	+150	$^\circ\text{C}$
Storage Temperature		$T_{STG}$	-55 ~ +150	$^\circ\text{C}$

Note: Absolute maximum ratings are those values beyond which the device could be permanently damaged.  
Absolute maximum ratings are stress ratings only and functional device operation is not implied.

■ THERMAL CHARACTERISTICS

PARAMETER		SYMBOL	RATINGS	UNIT
Junction to Ambient	SOT-223	$\theta_{JA}$	150	$^\circ\text{C}/\text{W}$
	TO-252/TO-252D		110	
	SOP-8		50	
Junction to Case	SOT-223	$\theta_{JC}$	56.8	$^\circ\text{C}/\text{W}$
	TO-252/TO-252D		7.8	
	SOP-8		78	

Note:  $\theta_{JA}$  is the sum of the junction-to-case and case-to-ambient thermal resistance where the case thermal reference is defined as the solder mounting surface of the drain pins.

$\theta_{JC}$  is guaranteed by design while  $\theta_{JA}$  is determined by the user's board design.

■ ELECTRICAL CHARACTERISTICS (T<sub>J</sub>=25°C, unless otherwise noted)

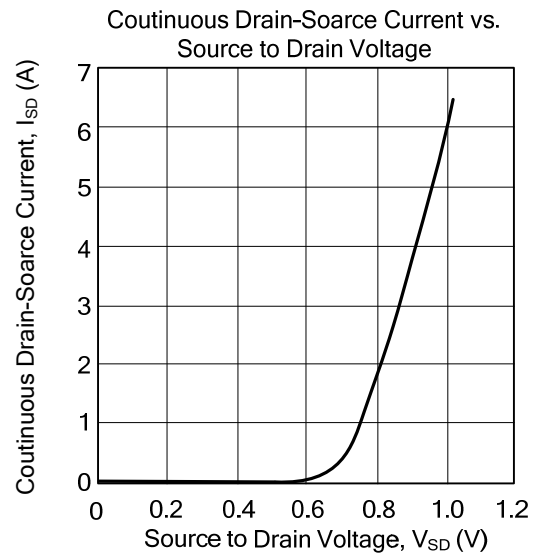
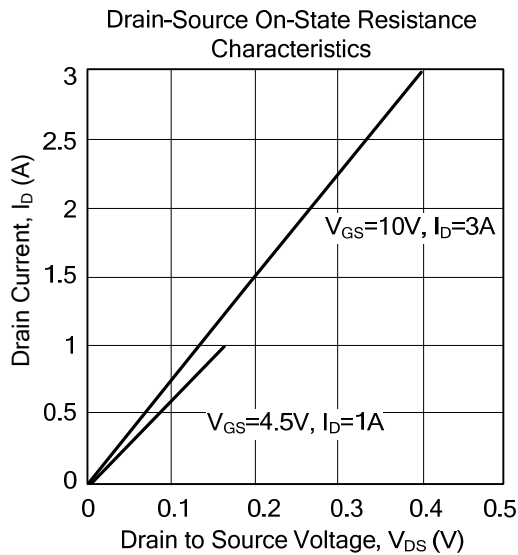
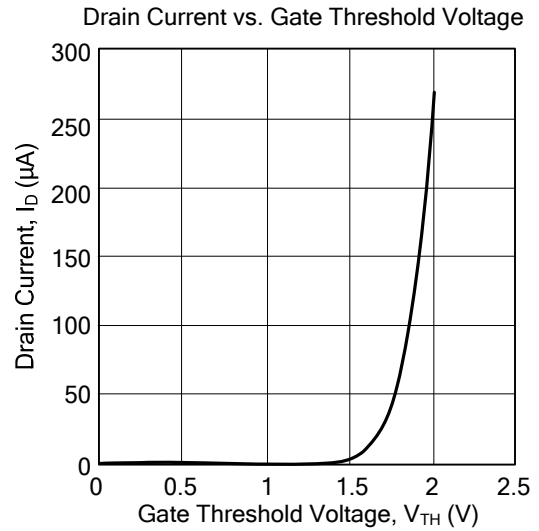
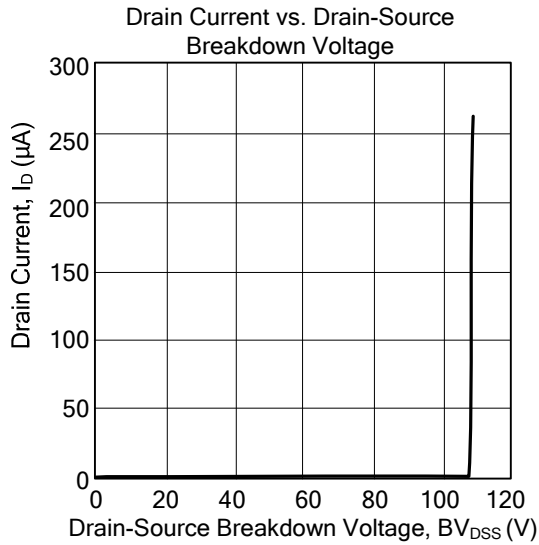
PARAMETER	SYMBOL	TEST CONDITIONS	MIN	TYP	MAX	UNIT
<b>OFF CHARACTERISTICS</b>						
Drain-Source Breakdown Voltage	BV <sub>DSS</sub>	I <sub>D</sub> =250μA, V <sub>GS</sub> =0V	100			V
Drain-Source Leakage Current	I <sub>DSS</sub>	V <sub>DS</sub> =100V, V <sub>GS</sub> =0V			1	μA
		V <sub>DS</sub> =100V, V <sub>GS</sub> =0V, T <sub>J</sub> =125°C			50	μA
		V <sub>DS</sub> =100V, V <sub>GS</sub> =0V, T <sub>J</sub> =150°C			250	μA
Gate- Source Leakage Current	Forward	V <sub>GS</sub> =+20V, V <sub>DS</sub> =0V			+100	nA
	Reverse	V <sub>GS</sub> =-20V, V <sub>DS</sub> =0V			-100	nA
On-State Drain Current (Note 2)	I <sub>D(on)</sub>	V <sub>DS</sub> =5V, V <sub>GS</sub> =10V	8.0			A
<b>ON CHARACTERISTICS</b>						
Gate Threshold Voltage	V <sub>GS(TH)</sub>	V <sub>DS</sub> =V <sub>GS</sub> , I <sub>D</sub> =250μA	1.0		3.0	V
Static Drain-Source On-State Resistance (Note 2)	R <sub>DS(ON)</sub>	V <sub>GS</sub> =10V, I <sub>D</sub> =3A		0.150	0.200	Ω
		V <sub>GS</sub> =10V, I <sub>D</sub> =3A, T <sub>J</sub> =125°C			0.350	
		V <sub>GS</sub> =10V, I <sub>D</sub> =3A, T <sub>J</sub> =150°C			0.450	
		V <sub>GS</sub> =4.5V, I <sub>D</sub> =1.0A		0.160	0.225	
Forward Transconductance (Note 2)	g <sub>FS</sub>	V <sub>DS</sub> =15V, I <sub>D</sub> =3A		8.5		S
<b>DYNAMIC PARAMETERS (Note1)</b>						
Input Capacitance	C <sub>ISS</sub>	V <sub>GS</sub> =0V, V <sub>DS</sub> =25V, f=1.0MHz		320		pF
Output Capacitance	C <sub>OSS</sub>			80		pF
Reverse Transfer Capacitance	C <sub>RSS</sub>			17		pF
<b>SWITCHING PARAMETERS</b>						
Total Gate Charge (Note 3)	Q <sub>G</sub>	V <sub>DS</sub> =50V, V <sub>GS</sub> =10V, I <sub>D</sub> =1.3A I <sub>G</sub> =100μA		27	75	nC
Gate to Source Charge (Note 3)	Q <sub>GS</sub>			2.4		nC
Gate to Drain Charge (Note 3)	Q <sub>GD</sub>			6.8		nC
Turn-ON Delay Time (Note3)	t <sub>D(ON)</sub>	V <sub>DD</sub> =30V, R <sub>L</sub> =7.5Ω, I <sub>D</sub> =0.5A, V <sub>GEN</sub> =10V, R <sub>G</sub> =25 Ω		28	58	ns
Rise Time (Note 3)	t <sub>R</sub>			30	60	ns
Turn-OFF Delay Time (Note 3)	t <sub>D(OFF)</sub>			148	178	ns
Fall-Time (Note 3)	t <sub>F</sub>			52	82	ns
<b>SOURCE- DRAIN DIODE RATINGS AND CHARACTERISTICS (T<sub>C</sub>=25°C)</b>						
Maximum Pulsed Drain-Source Diode Forward Current	I <sub>SM</sub>				8.0	A
Drain-Source Diode Forward Voltage (Note 2)	V <sub>SD</sub>	I <sub>F</sub> =6.5A, V <sub>GS</sub> =0V		0.9	1.3	V
Reverse Recovery Time	t <sub>rr</sub>	I <sub>F</sub> =6.5A, di/dt=100A/μs		35	60	ns

Notes: 1. Guaranteed by design, not subject to production testing.

2. Pulse test; pulse width ≤300 μs, duty cycle ≤2%.

3. Independent of operating temperature.

## TYPICAL CHARACTERISTICS



UTC assumes no responsibility for equipment failures that result from using products at values that exceed, even momentarily, rated values (such as maximum ratings, operating condition ranges, or other parameters) listed in products specifications of any and all UTC products described or contained herein. UTC products are not designed for use in life support appliances, devices or systems where malfunction of these products can be reasonably expected to result in personal injury. Reproduction in whole or in part is prohibited without the prior written consent of the copyright owner. The information presented in this document does not form part of any quotation or contract, is believed to be accurate and reliable and may be changed without notice.