



6N90-CQ

Preliminary

Power MOSFET

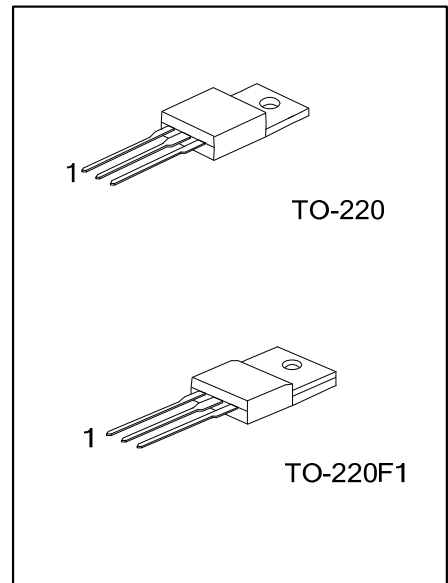
6A, 900V N-CHANNEL POWER MOSFET

DESCRIPTION

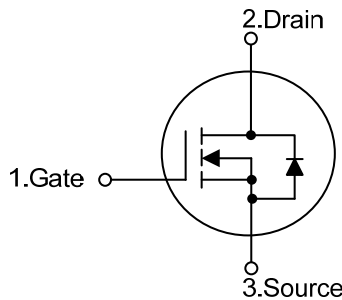
The UTC **6N90-CQ** provide excellent $R_{DS(ON)}$, low gate charge and operation with low gate voltages. This device is suitable for use as a load switch or in PWM applications.

FEATURES

- * $R_{DS(ON)} < 3.1 \Omega @ V_{GS}=10V, I_D=3.0A$
- * Low Reverse Transfer Capacitance
- * Fast Switching Capability
- * Avalanche Energy Specified
- * Improved dv/dt Capability, High Ruggedness



SYMBOL



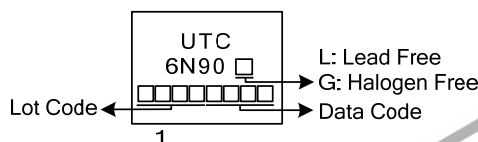
ORDERING INFORMATION

Ordering Number		Package	Pin Assignment			Packing
Lead Free	Halogen Free		1	2	3	
6N90L-TF1-T	6N90G-TF1-T	TO-220F1	G	D	S	Tube
6N90L-TF3-T	6N90G-TF3-T	TO-220F	G	D	S	Tube

Note: Pin Assignment: G: Gate D: Drain S: Source

	<p>(1) T: Tube</p> <p>(2) TF1: TO-220F1, TF3: TO-220F</p> <p>(3) G: Halogen Free and Lead Free, L: Lead Free</p>
--	--

MARKING



■ ABSOLUTE MAXIMUM RATINGS ($T_C = 25^\circ\text{C}$, unless otherwise specified)

PARAMETER		SYMBOL	RATINGS	UNIT
Drain-Source Voltage		V_{DSS}	900	V
Gate-Source Voltage		V_{GSS}	± 30	V
Drain Current	Continuous	I_D	6	A
	Pulsed (Note 2)	I_{DM}	24	A
Avalanche Energy	Single Pulsed (Note 3)	E_{AS}	370	mJ
Peak Diode Recovery dv/dt (Note 4)		dv/dt	1.85	V/ns
Power Dissipation	TO-220	P_D	100	W
	TO-220F1		50	W
Junction Temperature		T_J	+150	$^\circ\text{C}$
Storage Temperature		T_{STG}	-55 ~ +150	$^\circ\text{C}$

Notes: 1. Absolute maximum ratings are those values beyond which the device could be permanently damaged.

Absolute maximum ratings are stress ratings only and functional device operation is not implied.

2. Repetitive Rating : Pulse width limited by maximum junction temperature.

3. $L=64\text{mH}$, $I_{AS}=3.4\text{A}$, $V_{DD}=50\text{V}$, $R_G=25\ \Omega$, Starting $T_J = 25^\circ\text{C}$

4. $I_{SD}\leq 6.0\text{A}$, $di/dt\leq 200\text{A}/\mu\text{s}$, $V_{DD}\leq BV_{DSS}$, Starting $T_J = 25^\circ\text{C}$

■ THERMAL DATA

PARAMETER		SYMBOL	RATING	UNIT
Junction to Ambient		θ_{JA}	62.5	$^\circ\text{C}/\text{W}$
Junction to Case	TO-220	θ_{JC}	1.25	$^\circ\text{C}/\text{W}$
	TO-220F1		2.5	$^\circ\text{C}/\text{W}$

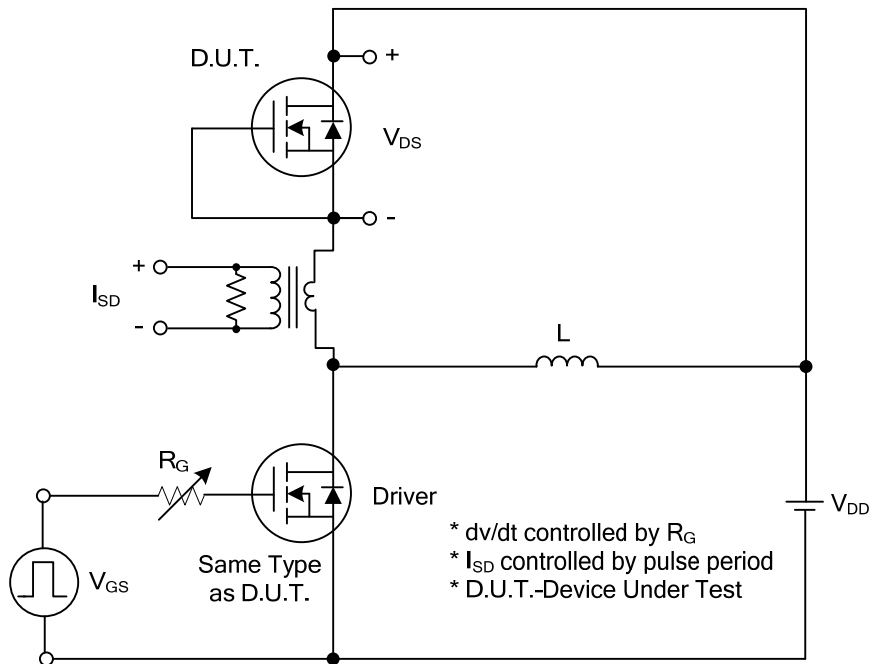
■ ELECTRICAL CHARACTERISTICS ($T_J = 25^\circ\text{C}$, unless otherwise specified)

PARAMETER	SYMBOL	TEST CONDITIONS	MIN	TYP	MAX	UNIT
OFF CHARACTERISTICS						
Drain-Source Breakdown Voltage	BV_{DSS}	$V_{GS}=0\text{V}$, $I_D=250\ \mu\text{A}$	900			V
Drain-Source Leakage Current	I_{DSS}	$V_{DS}=900\text{V}$, $V_{GS}=0\text{V}$			1	μA
Gate-Source Leakage Current	I_{GSS}	$V_{GS}=\pm 30\text{V}$, $V_{DS}=0\text{V}$			± 10	μA
ON CHARACTERISTICS						
Gate Threshold Voltage	$V_{GS(TH)}$	$V_{DS}=V_{GS}$, $I_D=250\ \mu\text{A}$	3.0		5.0	V
Static Drain-Source On-State Resistance	$R_{DS(ON)}$	$V_{GS}=10\text{V}$, $I_D=3.0\text{A}$			3.1	Ω
DYNAMIC CHARACTERISTICS						
Input Capacitance	C_{ISS}	$V_{DS}=25\text{V}$, $V_{GS}=0\text{V}$, $f=1\text{MHz}$		875		pF
Output Capacitance	C_{OSS}			95		pF
Reverse Transfer Capacitance	C_{RSS}			10		pF
SWITCHING CHARACTERISTICS						
Total Gate Charge (Note 1)	Q_G	$V_{DS}=50\text{V}$, $V_{GS}=10\text{V}$, $I_D=1.3\text{A}$ $I_G=100\ \mu\text{A}$ (Note 1, 2)		66		nC
Gate-Source Charge	Q_{GS}			7		nC
Gate-Drain Charge	Q_{GD}			14		nC
Turn-On Delay Time (Note 1)	$t_{D(ON)}$	$V_{DD}=30\text{V}$, $V_{GS}=10\text{V}$, $I_D=0.5\text{A}$, $R_G=25\ \Omega$ (Note 1, 2)		50		ns
Turn-On Rise Time	t_R			53		ns
Turn-Off Delay Time	$t_{D(OFF)}$			210		ns
Turn-Off Fall Time	t_F			40		ns
SOURCE- DRAIN DIODE RATINGS AND CHARACTERISTICS						
Continuous Drain-Source Current	I_S				6	A
Maximum Pulsed Drain-Source Diode Forward Current	I_{SM}				24	A
Drain-Source Diode Forward Voltage (Note 1)	V_{SD}	$I_S=6.0\text{A}$, $V_{GS}=0\text{V}$			1.4	V
Body Diode Reverse Recovery Time (Note 1)	t_{rr}	$I_S=6.0\text{A}$, $V_{GS}=0\text{V}$		738		nS
Body Diode Reverse Recovery Charge	Q_{rr}	$di_f/dt=100\text{A}/\mu\text{s}$		5.5		μC

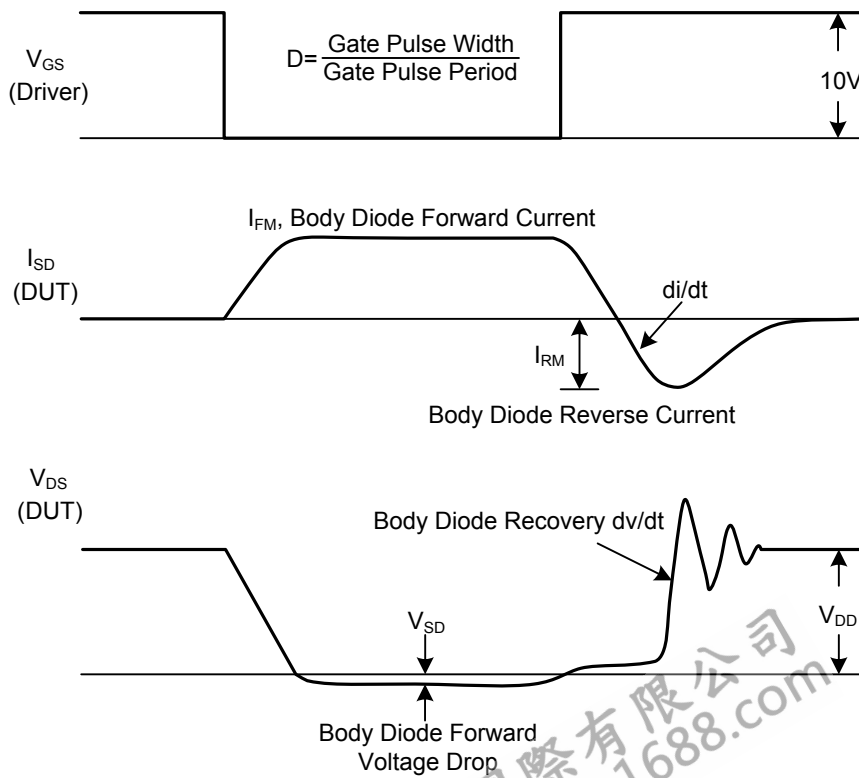
Notes: 1. Pulse Test: Pulse width $\leq 300\ \mu\text{s}$, Duty cycle $\leq 2\%$.

2. Essentially independent of operating temperature.

■ TEST CIRCUITS AND WAVEFORMS

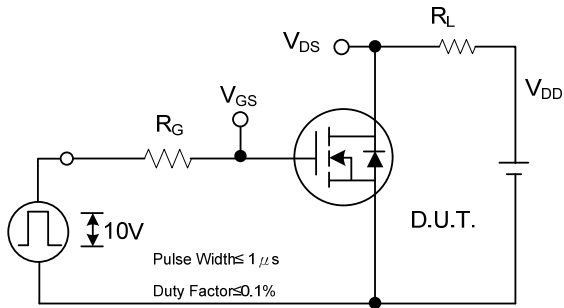


Peak Diode Recovery dv/dt Test Circuit

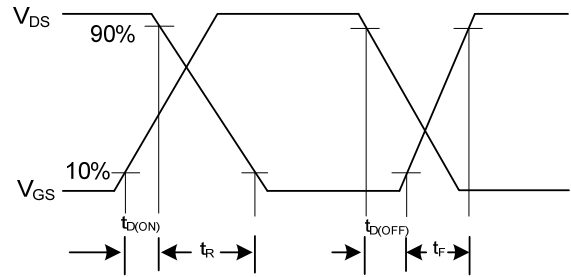


Peak Diode Recovery dv/dt Waveforms

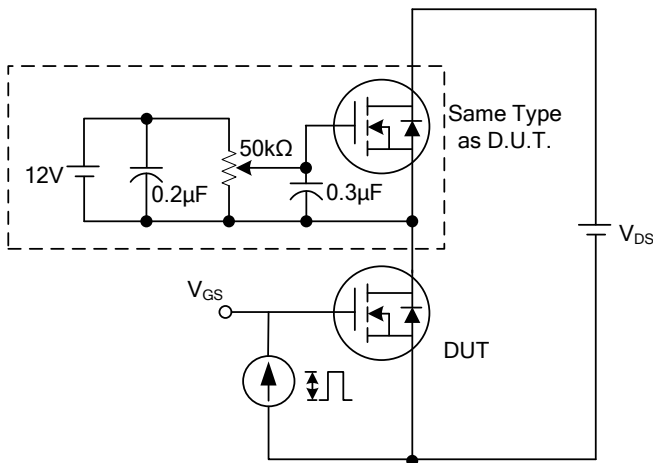
■ TEST CIRCUITS AND WAVEFORMS (Cont.)



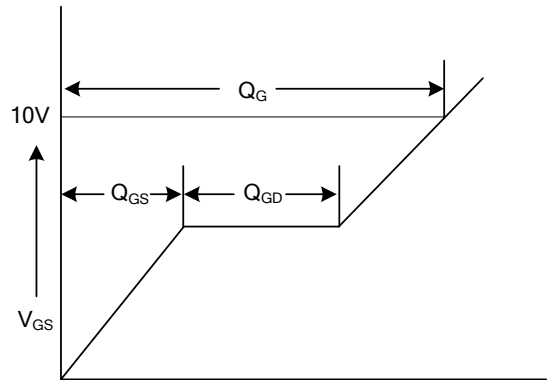
Switching Test Circuit



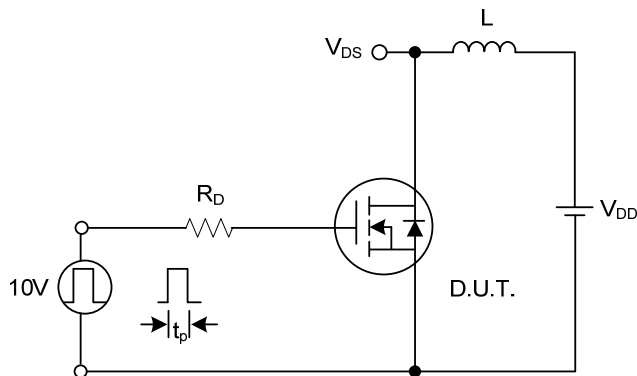
Switching Waveforms



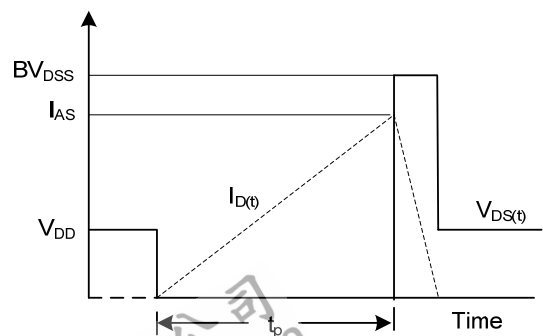
Gate Charge Test Circuit



Charge Gate Charge Waveform



Unclamped Inductive Switching Test Circuit



Unclamped Inductive Switching Waveforms

UTC assumes no responsibility for equipment failures that result from using products at values that exceed, even momentarily, rated values (such as maximum ratings, operating condition ranges, or other parameters) listed in products specifications of any and all UTC products described or contained herein. UTC products are not designed for use in life support appliances, devices or systems where malfunction of these products can be reasonably expected to result in personal injury. Reproduction in whole or in part is prohibited without the prior written consent of the copyright owner. The information presented in this document does not form part of any quotation or contract, is believed to be accurate and reliable and may be changed without notice.