



75232

LINEAR INTEGRATED CIRCUIT

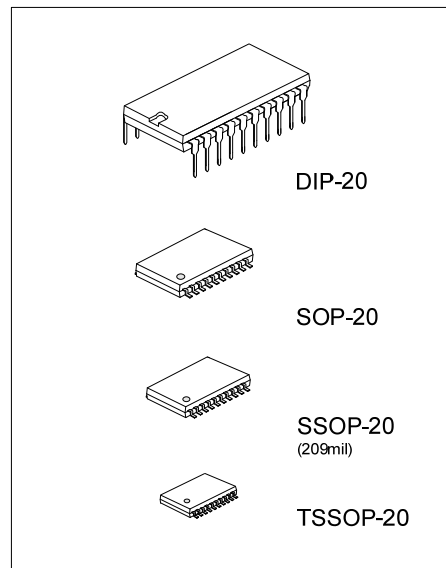
MULTIPLE RS-232 DRIVERS AND RECEIVERS

DESCRIPTION

The UTC **75232** is a monolithic IC containing three independent drivers and five receivers which comply with the requirements of the TIA/EIA232-F standards.

FEATURES

- * Single chip with easy interconnection of the UART and serial-port connector of personal computer.
- * Meets standard TIA/EIA-232-F and ITU V.28
- * Up to 120 kbps data rate
- * 20-pin SOP/ DIP/SSOP/TSSOP packages



ORDERING INFORMATION

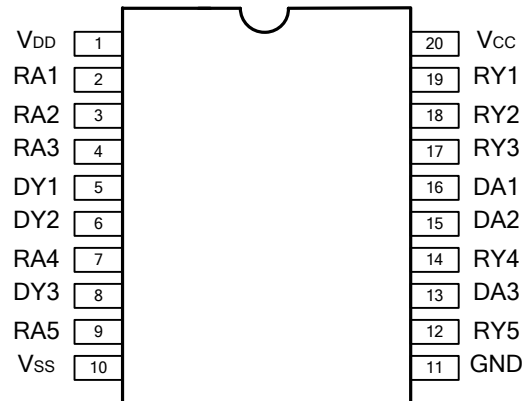
Ordering Number		Package	Packing
Lead Free	Halogen Free		
75232L-D20-T	75232G-D20-T	DIP-20	Tube
75232L-P20-R	75232G-P20-R	TSSOP-20	Tape Reel
75232L-R20-R	75232G-R20-R	SSOP-20	Tape Reel
75232L-S20-R	75232G-S20-R	SOP-20	Tape Reel

<p>75232G-D20-T</p> <p>(1)Packing Type (2)Package Type (3)Green Package</p>	<p>(1) R: Tape Reel, T: Tube (2) D20: DIP-20, S20: SOP-20, R20: SSOP-20, P20: TSSOP-20 (3) G: Halogen Free and Lead Free, L: Lead Free</p>
---	--

MARKING

DIP-20	SOP-20 / SSOP-20 / TSSOP-20
<p>20 19 18 17 16 15 14 13 12 11 → Date Code UTC □□□□ → L: Lead Free 75232 □ → G: Halogen Free □□ → Lot Code 1 2 3 4 5 6 7 8 9 10</p>	<p>20 19 18 17 16 15 14 13 12 11 → Date Code UTC □□□□ → L: Lead Free 75232 □ → G: Halogen Free □□ → Lot Code 1 2 3 4 5 6 7 8 9 10</p>

■ PIN CONFIGURATION



■ PIN DESCRIPTION

PIN NO.	PIN NAME	FUNCTION
1	V _{DD}	Supply voltage
2	RA1	First receiver input
3	RA2	Second receiver input
4	RA3	Third receiver input
5	DY1	First driver output
6	DY2	Second driver output
7	RA4	Fourth receiver input
8	DY3	Third driver output
9	RA5	Fifth receiver input
10	V _{SS}	Supply voltage
11	GND	Ground
12	RY5	Fifth receiver output
13	DA3	Third driver input
14	RY4	Fourth receiver output
15	DA2	Second driver input
16	DA1	First driver input
17	RY3	Third receiver output
18	RY2	Second receiver output
19	RY1	First receiver output
20	V _{CC}	Supply voltage

■ ABSOLUTE MAXIMUM RATINGS

PARAMETER		SYMBOL	RATINGS	UNIT
Supply Voltage (Note 2)		V_{DD}	15	V
		V_{SS}	-15	V
		V_{CC}	10	V
Input Voltage Range	Driver	V_{IN}	-15 ~ 7	V
	Receiver		-30 ~ 30	V
Driver Output Voltage Range		V_{OUT}	-15 ~ 15	V
Receiver Low Level Output Current		I_{OUT}	20	mA
Junction Temperature		T_J	+150	°C
Operation Temperature		T_{OPR}	0 ~ +70	°C
Storage Temperature		T_{STG}	-40 ~ +150	°C

Notes: 1. Absolute maximum ratings are those values beyond which the device could be permanently damaged. Absolute maximum ratings are stress ratings only and functional device operation is not implied.
2. All voltages are with respect to the network ground terminal.

■ THERMAL DATA

PARAMETER		SYMBOL	RATINGS	UNIT
Junction-to-Ambient	DIP-20	θ_{JA}	70	°C/W
	SOP-20		100	
	SSOP-20		115	
	TSSOP-20		115	

■ RECOMMENDED OPERATING RATINGS

PARAMETER		SYMBOL	MIN	TYP	MAX	UNIT
Supply Voltage		V_{DD}	7.5	9	15	V
		V_{SS}	-7.5	-9	-15	V
		V_{CC}	4.5	5	5.5	V
Level Input Voltage (driver only)	High	V_{IH}	1.9			V
	Low	V_{IL}			0.8	V
High Level Output Current	Driver	I_{OH}			-6.0	mA
	Receiver				-0.5	
Low Level Output Current	Driver	I_{OL}			6	mA
	Receiver				16	
Operating Free-air Temperature		T_A	0		70	°C

■ ELECTRICAL CHARACTERISTICS

(Over recommended supply voltage and operating temperature ranges, unless otherwise specified)

PARAMETER	SYMBOL	TEST CONDITIONS	MIN	TYP	MAX	UNIT
SUPPLY CURRENTS						
Supply Current from V_{DD}	I_{DD}	No load. All inputs at 1.9V	$V_{DD}=9V, V_{SS}=-9V$		15	mA
			$V_{DD}=12, V_{SS}=-12V$		19	
			$V_{DD}=15, V_{SS}=-15V$		25	
	No load. All inputs at 0.8V	$V_{DD}=9V, V_{SS}=-9V$		4.5	mA	
		$V_{DD}=12, V_{SS}=-12V$		5.5		
		$V_{DD}=15, V_{SS}=-15V$		9		
Supply Current from V_{SS}	I_{SS}	No load. All inputs at 1.9V	$V_{DD}=9V, V_{SS}=-9V$		-15	mA
			$V_{DD}=12, V_{SS}=-12V$		-19	
			$V_{DD}=15, V_{SS}=-15V$		-25	
	No load. All inputs at 0.8V	$V_{DD}=9V, V_{SS}=-9V$		-3.2	mA	
		$V_{DD}=12, V_{SS}=-12V$		-3.2		
		$V_{DD}=15, V_{SS}=-15V$		-3.2		
Supply Current from V_{CC}	I_{CC}	No load. All inputs at 5V, $V_{CC}=5V$			30	mA

■ ELECTRICAL CHARACTERISTICS(Cont.)

PARAMETER	SYMBOL	TEST CONDITIONS	MIN	TYP	MAX	UNIT		
DRIVER SECTION (V_{DD}=9V, V_{SS}=-9V, V_{CC}=5V)								
Output Voltage Level (Figure. 1)	High	V _{OH}	V _{IL} =0.8V, R _L =3 kΩ	6	7.5		V	
	Low	V _{OL}	V _{IH} =1.9V, R _L =3 kΩ (Note 1)		-7.5	-6	V	
Input Current Level (Figure. 2)	High	I _{IH}	V _{IN} =5V			10	μA	
	Low	I _{IL}	V _{IN} =0V			-1.6	mA	
Short Circuit Output Current (Figure. 1)	High	I _{OH(SC)}	V _{IL} =0.8V, V _{OUT} =0V (Note 2)	-8.5	-12	-19.5	mA	
	Low	I _{OL(SC)}	V _{IH} =2.0V, V _{OUT} =0V	8.5	12	19.5	mA	
Output Resistance (Note 3)		R _{OUT}	V _{DD} =V _{SS} =V _{CC} =0V, V _{OUT} =-2V~2V	300			Ω	
RECEIVER SECTION (V_{DD}=9V, V_{SS}=-9V, V_{CC}=5V)								
Going Threshold Voltage	Positive	V _{T+}	T _A =25°C (Figure. 5)	1.75	1.9	2.3	V	
	Negative	V _{T-}	T _A =0°C ~ 70°C (Figure. 5)	1.55		2.3		
Input Hysteresis(V _{T+} - V _{T-})		V _{HYS}		0.5			V	
Output Voltage Level	High	V _{OH}	I _{OH} =-0.5mA	V _{IH} =0.75V	2.6	4	5	V
	Low	V _{OL}	V _{IN} =3V, I _{OL} =10mA	Inputs Open	2.6			
Input Current Level (Figure. 5)	High	I _{IH}	V _{IN} =25V	3.6		8.3	mA	
			V _{IN} =3V	0.43				
	Low	I _{IL}	V _{IN} =-25V	-3.6		-8.3	mA	
			V _{IN} =-3V	-0.43				
Short-Circuit Output Current		I _{O(SC)}	(Fig. 4)		-3.4	-12	mA	

Note. 1. For voltage logic levels, the more positive (less negative) limit is designated as maximum, (e.g. if -10V is a maximum, the typical value is a more negative voltage).

2: Output short circuit conditions must maintain the total power dissipation below absolute maximum ratings and the sign is used to indicate direction.

3: Test conditions are those specified by TIA/EIA232-F and as listed above.

■ SWITCHING CHARACTERISTICS (T_a=25°C)

PARAMETER	SYMBOL	TEST CONDITIONS	MIN	TYP	MAX	UNIT
DRIVER SECTION (V_{DD}=12V, V_{SS}=-12V, V_{CC}=5V)						
Propagation Delay Time	t _{PLH}	R _L =3 ~ 7 kΩ, C _L =15pF		315	500	ns
	t _{PHL}	(Figure. 3)		75	175	ns
Transition Time	t _{TLH}	R _L =3 ~ 7 kΩ, C _L =15pF		60	100	ns
	t _{THL}			40	75	ns
	t _{TLH}	R _L =3 ~ 7 kΩ, C _L =2500pF		1.7	2.5	μs
	t _{THL}	(Figure. 3, Note)		1.5	2.5	μs
RECEIVER SECTION (V_{DD}=12V, V_{SS}=-12V, V_{CC}=5V)						
Propagation Delay Time (Figure. 6)	t _{PLH}	R _L =5 kΩ, C _L =50pF		107	250	ns
	t _{PHL}			42	150	ns
	t _{PLH}	R _L =1.5 kΩ, C _L =15pF		100	160	ns
	t _{PHL}			60	100	ns
Transition Time (Figure. 6)	t _{TLH}	R _L =5 kΩ, C _L =50pF		175	350	ns
	t _{THL}			16	60	ns
	t _{TLH}	R _L =1.5 kΩ, C _L =15pF		90	175	ns
	t _{THL}			15	50	ns

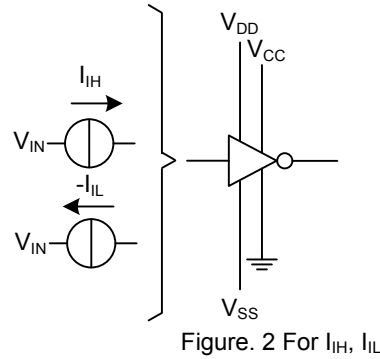
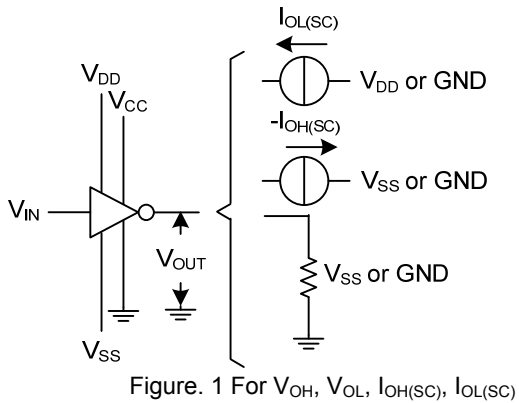
Note: Measured points of the output waveform (TIA/EIA-232-F conditions) as below, all unused inputs are tied.

- Low to High level: between -3V and 3V.

- High to Low level: between 3V and -3V.

PARAMETER MEASUREMENT INFORMATION

DRIVER TEST CIRCUITS:



DRIVER VOLTAGE WAVEFORMS:

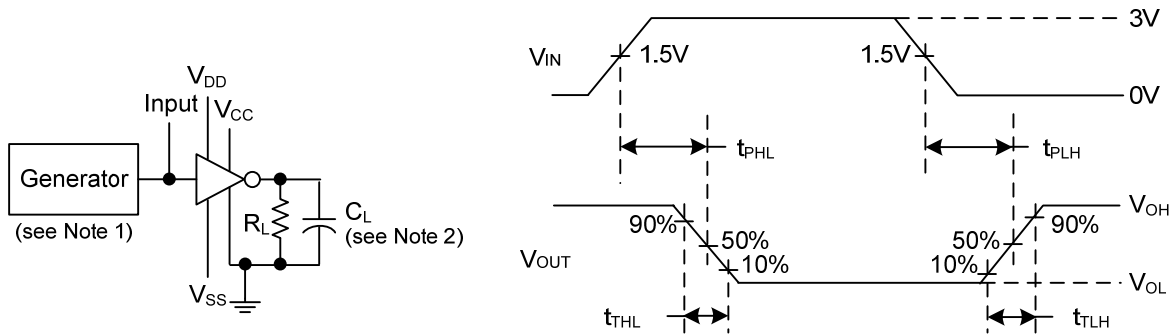


Figure 3

Note: 1. The pulse generator characteristics: $t_w=25\mu s$, $PRR=20kHz$, $Z_o=50\Omega$, $t_r=t_f<50ns$.
 2. C_L includes probe and jig capacitance.

PARAMETER MEASUREMENT INFORMATION (Cont.)

RECEIVER TEST CIRCUITS:

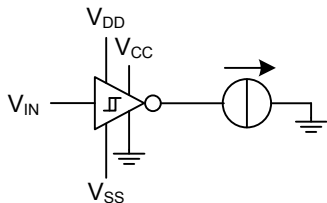


Figure. 4. $I_{0(sc)}$

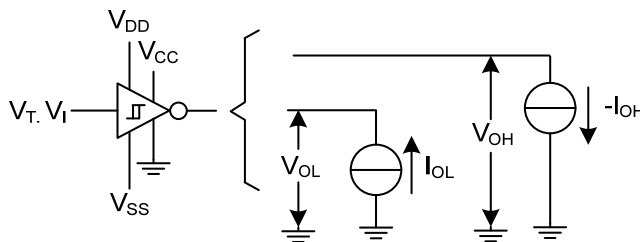


Figure. 5 V_T, V_{OH}, V_{OL}

RECEIVER PROPAGATION AND TRANSITION TIMES:

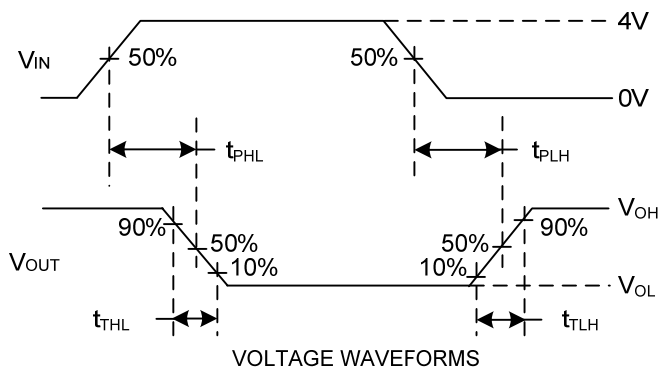
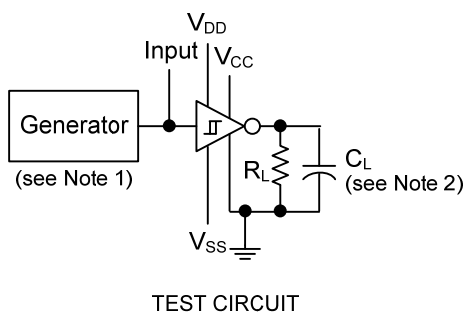


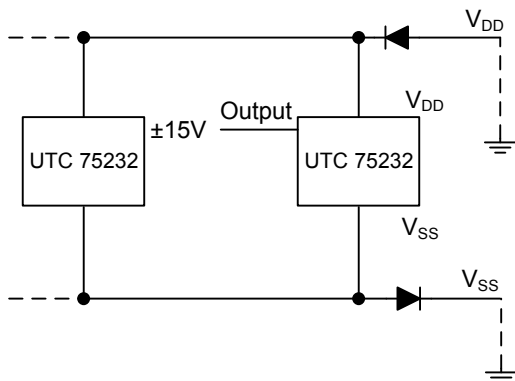
Figure. 6.

Note: 1. The pulse generator characteristics: $t_w=25\mu s$, $PRR=20kHz$, $Z_o=50\Omega$, $t_r=t_f<50ns$.
 2. C_L includes probe and jig capacitance.

APPLICATION INFORMATION

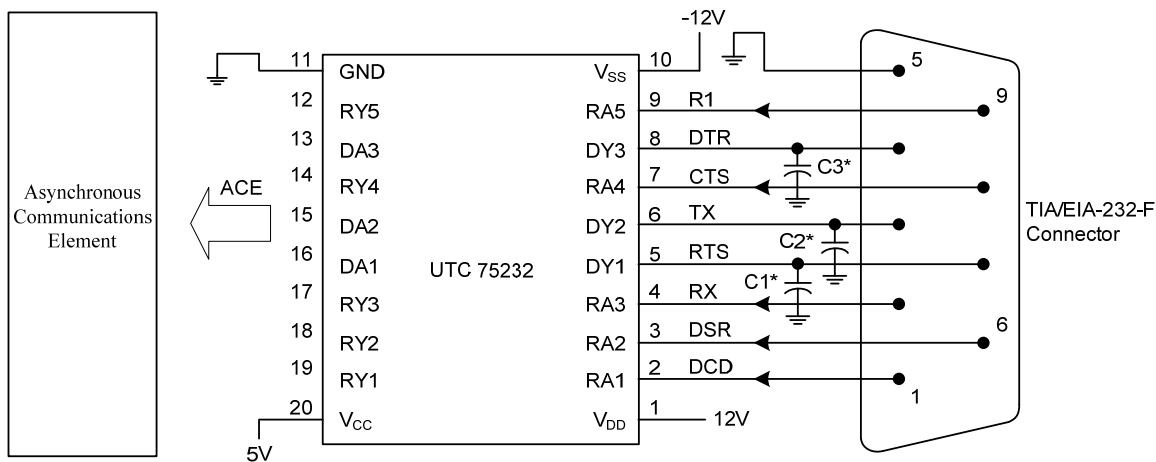
Power-Supply protection to meet Power-Off fault conditions of TIA/EIA-232-F

Diodes placed in series with the V_{DD} and V_{SS} leads protect the device in the fault condition in which the device outputs are shorted to $\pm 15V$ and the power supplies are at low and provide low-impedance paths to ground.

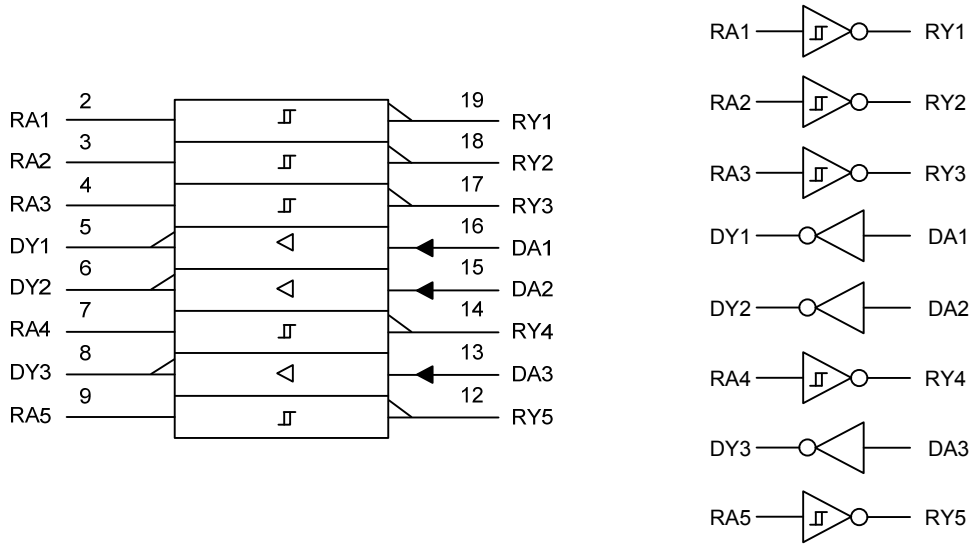


Typical Connection

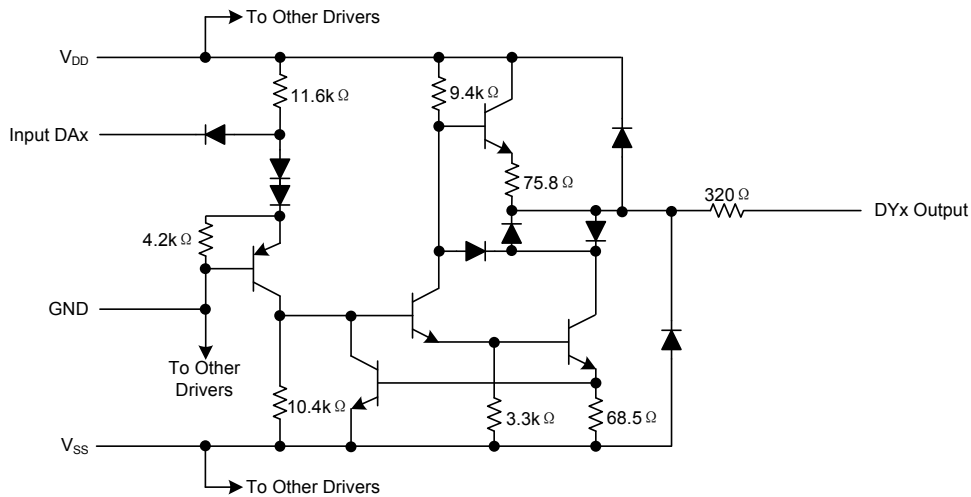
“*”: Refer Figure 10 to select the correct values for the loading capacitors (C1, C2, and C3), which are required to meet the RS-232 maximum slew-rate requirement of $30V/\mu s$. The value of the loading capacitors required depends upon the line length and desired slew rate, but typically is 330 pF.



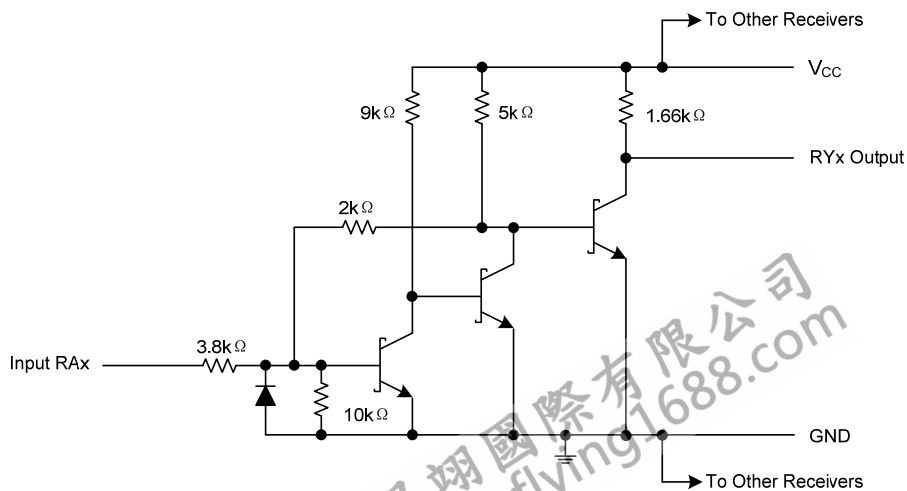
LOGIC SYMBOL AND LOGIC DIAGRAM



CIRCUIT OF DRIVERS (Resistor value shown are nominal.)



CIRCUIT OF EACH RECEIVER (Resistor value shown are nominal.)



■ TYPICAL CHARACTERISTICS(DRIVER)

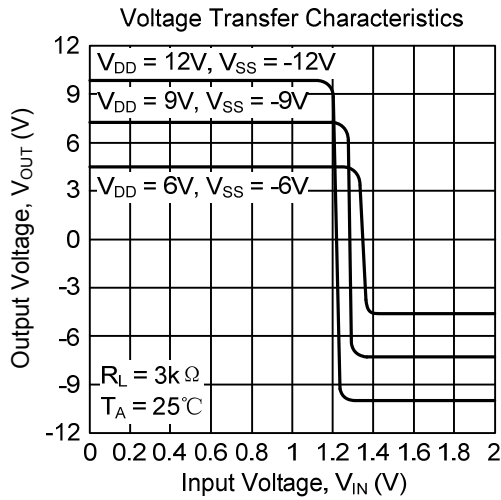


Figure 7

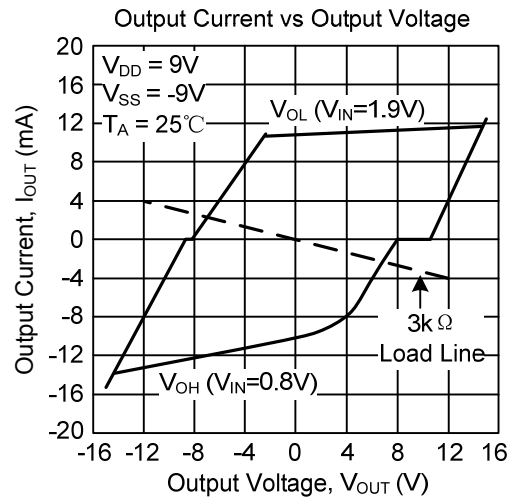


Figure 8

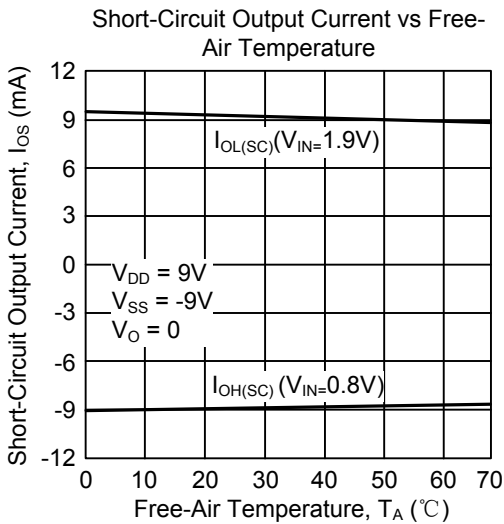


Figure 9

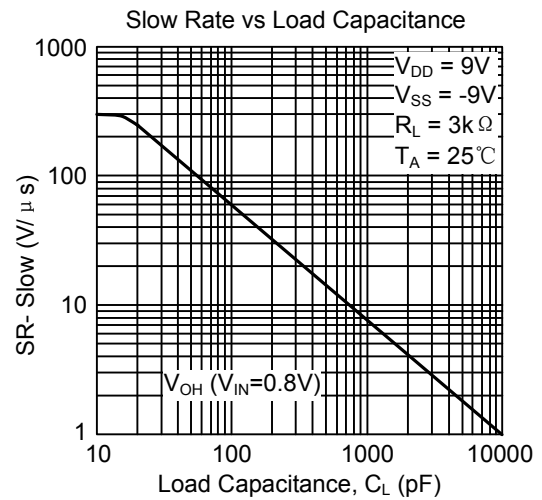


Figure 10

■ TYPICAL CHARACTERISTICS(RECEIVER)

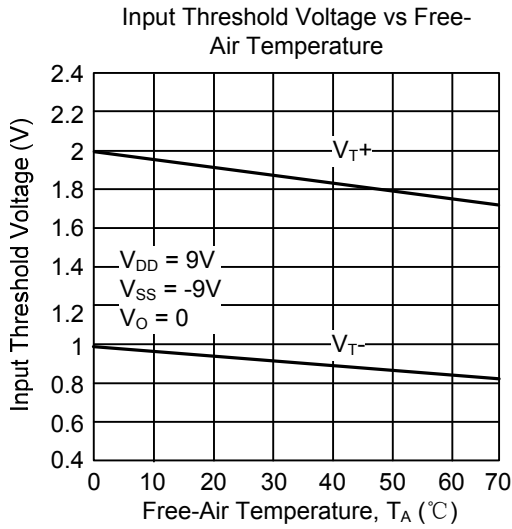


Figure 11

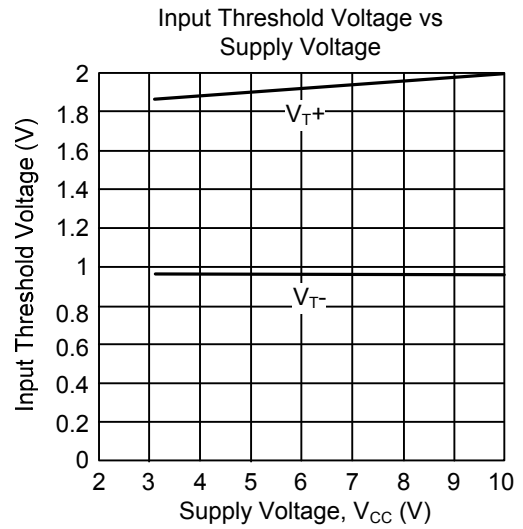
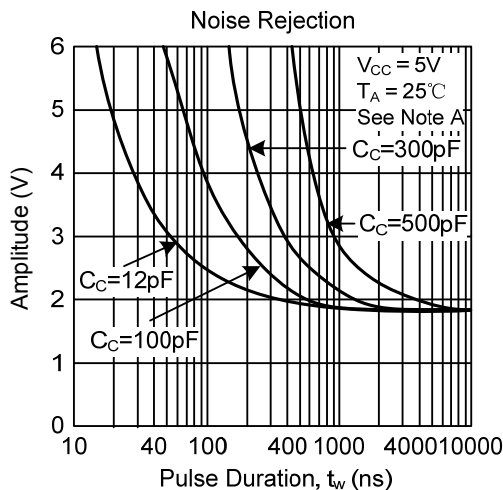


Figure 12



The maximum amplitude starting from 0V of a positive-going pulse that will not cause a change in the output level.

Figure 13

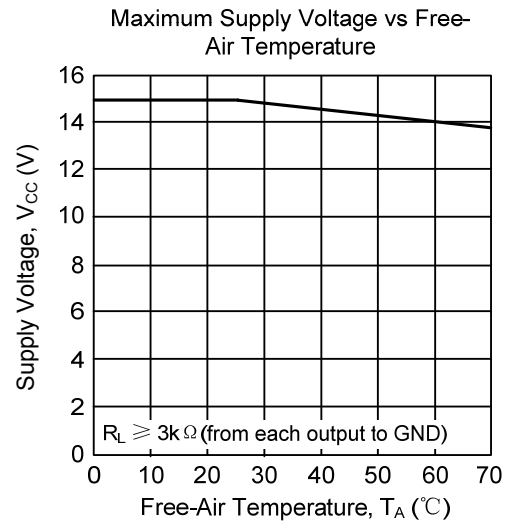


Figure 14

UTC assumes no responsibility for equipment failures that result from using products at values that exceed, even momentarily, rated values (such as maximum ratings, operating condition ranges, or other parameters) listed in products specifications of any and all UTC products described or contained herein. UTC products are not designed for use in life support appliances, devices or systems where malfunction of these products can be reasonably expected to result in personal injury. Reproduction in whole or in part is prohibited without the prior written consent of the copyright owner. UTC reserves the right to make changes to information published in this document, including without limitation specifications and product descriptions, at any time and without notice. This document supersedes and replaces all information supplied prior to the publication hereof.