



78TXXA

LINEAR INTEGRATED CIRCUIT

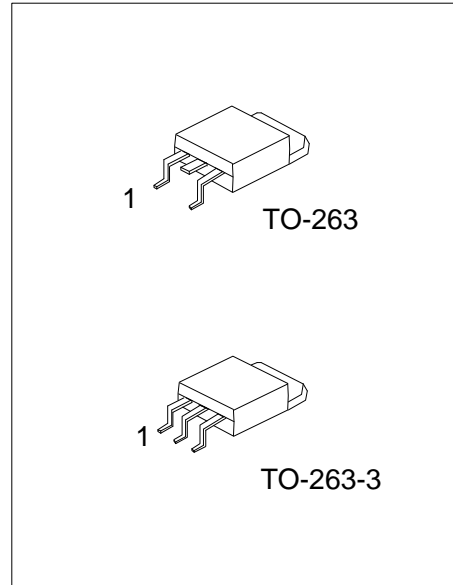
3-TERMINAL 1A POSITIVE VOLTAGE REGULATOR

DESCRIPTION

The UTC 78TXXA family is monolithic fixed voltage regulator integrated circuit. They are suitable for applications that required supply current up to 1 A.

FEATURES

- * Peak Output Current Up To 1 A
- * Fixed Output Voltage Of 5V, 6V, 7V, 8V, 9V, 10V, 12V, 15V, 18V and 24V Available
- * Thermal Overload Shutdown Protection
- * Short Circuit Current Limiting
- * Output Transistor SOA Protection



ORDERING INFORMATION

Ordering Number		Package	Pin Assignment			Packing
Lead Free	Halogen Free		1	2	3	
78TXXAL-TQ2-R	78TXXAG-TQ2-R	TO-263	I	G	O	Tape Reel
78TXXAL-TQ2-T	78TXXAG-TQ2-T	TO-263	I	G	O	Tube
78TXXAL-TQ3-R	78TXXAG-TQ3-R	TO-263-3	I	G	O	Tape Reel
78TXXAL-TQ3-T	78TXXAG-TQ3-T	TO-263-3	I	G	O	Tube

Note: Pin Code: I: Input G: GND O: Output

<p>78TXXAG-TQ2-R</p> <p>(1)Packing Type</p> <p>(2)Package Type</p> <p>(3)Green Package</p> <p>(4)Output Voltage Code</p>	<p>(1) R: Tape Reel, T: Tube</p> <p>(2) TO-263: TQ2, TO-263-3: TQ3</p> <p>(3) G: Halogen Free and Lead Free, L: Lead Free</p> <p>(4) XX: refer to Marking Information</p>
--	---



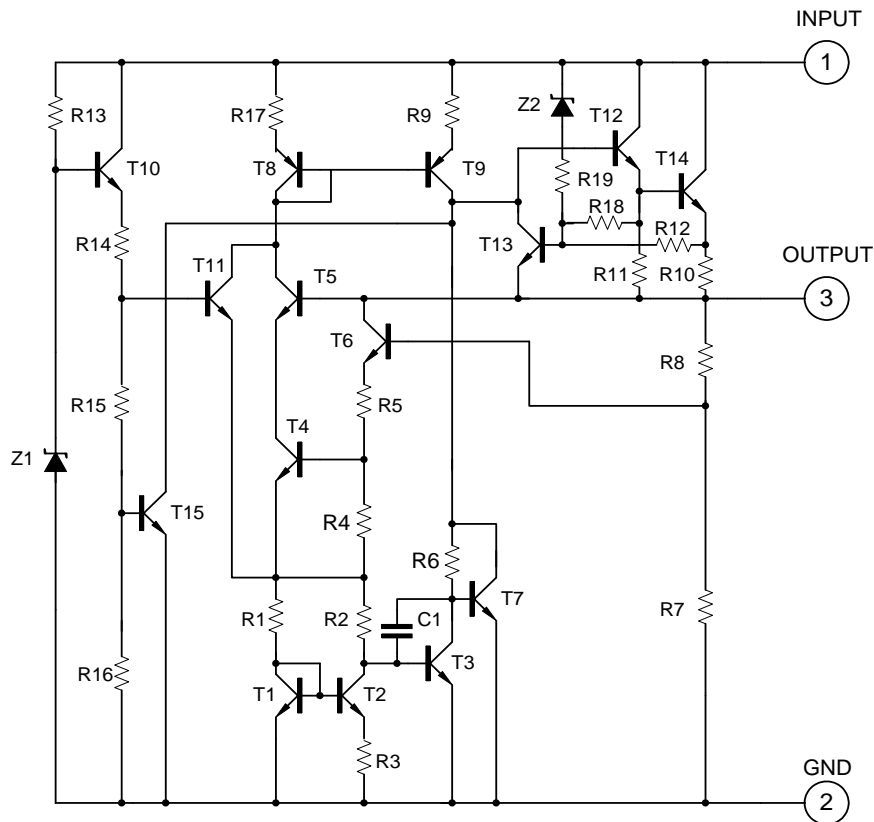
78TXXA

LINEAR INTEGRATED CIRCUIT

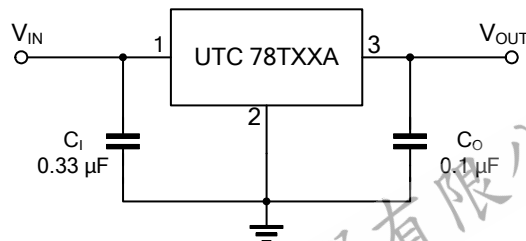
MARKING INFORMATION

PACKAGE	VOLTAGE CODE	MARKING
TO-263 TO-263-3	05 :5.0V	
	06 :6.0V	
	07 :7.0V	
	08 :8.0V	
	09 :9.0V	
	10 :10V	
	12 :12V	
	15 :15V	
	18 :18V	
24:24V		

TEST CIRCUIT



APPLICATION CIRCUIT



Note 1: To specify an output voltage, substitute voltage value for "XX".

2: Bypass capacitors are recommended for optimum stability and transient response and should be located as close as possible to the regulators.

■ **ABSOLUTE MAXIMUM RATINGS** (Operating temperature range applies unless otherwise specified)

PARAMETER	SYMBOL	RATING	UNIT
Input Voltage	V_{IN}	35	V
Output Current	I_{OUT}	1	A
Power Dissipation	P_D	Internally Limited	W
Junction Temperature	T_J	+125	°C
Operating Junction Temperature	T_{OPR}	-40~ +125	°C
Storage Temperature	T_{STG}	-40~ +150	°C

Note: Absolute maximum ratings are those values beyond which the device could be permanently damaged. Absolute maximum ratings are stress ratings only and functional device operation is not implied.

■ **ELECTRICAL CHARACTERISTICS**

($T_J = 0^\circ\text{C} \sim 125^\circ\text{C}$, $C_i = 0.33\mu\text{F}$, $C_o = 0.1\mu\text{F}$, unless otherwise specified) (Note 1)

For 78T05A ($V_{IN} = 10\text{V}$, $I_{OUT} = 0.5\text{A}$)

PARAMETER	SYMBOL	TEST CONDITIONS	MIN	TYP	MAX	UNIT
Output Voltage	V_{OUT}	$T_J = 25^\circ\text{C}$, $I_{OUT} = 5\text{mA} - 1.0\text{A}$	4.80	5.0	5.20	V
		$V_{IN} = 7.5\text{V} \sim 20\text{V}$, $I_{OUT} = 5\text{mA} - 1.0\text{A}$, $P_D \leq 15\text{W}$	4.75		5.25	V
Load Regulation	ΔV_{OUT}	$T_J = 25^\circ\text{C}$, $I_{OUT} = 5\text{mA} - 1.0\text{A}$			50	mV
		$T_J = 25^\circ\text{C}$, $I_{OUT} = 0.25\text{A} - 0.75\text{A}$			25	mV
Line regulation	ΔV_{OUT}	$V_{IN} = 7\text{V} \sim 25\text{V}$, $T_J = 25^\circ\text{C}$			50	mV
		$V_{IN} = 7.5\text{V} \sim 20\text{V}$, $T_J = 25^\circ\text{C}$, $I_{OUT} = 1.0\text{A}$			50	mV
Quiescent Current	I_Q	$T_J = 25^\circ\text{C}$, $I_{OUT} \leq 1.0\text{A}$			8.0	mA
Quiescent Current Change	ΔI_Q	$V_{IN} = 7.5\text{V} \sim 20\text{V}$			1.0	mA
		$I_{OUT} = 5\text{mA} - 1.0\text{A}$			0.5	mA
Output Noise Voltage	eN	$10\text{Hz} \leq f \leq 100\text{kHz}$		40		μV
Temperature coefficient of V_o	$\Delta V_o / \Delta T$	$I_{OUT} = 5\text{mA}$		-0.6		$\text{mV}/^\circ\text{C}$
Ripple Rejection	RR	$V_{IN} = 8\text{V} - 18\text{V}$, $f = 120\text{Hz}$, $T_J = 25^\circ\text{C}$	62	80		dB
Peak Output Current	I_{PEAK}	$T_J = 25^\circ\text{C}$		1.8		A
Short-Circuit Current	I_{SC}	$V_{IN} = 35\text{V}$, $T_J = 25^\circ\text{C}$		250		mA
Dropout Voltage	V_D	$T_J = 25^\circ\text{C}$		2.0		V

For 78T06A ($V_{IN} = 11\text{V}$, $I_{OUT} = 0.5\text{A}$)

PARAMETER	SYMBOL	TEST CONDITIONS	MIN	TYP	MAX	UNIT
Output Voltage	V_{OUT}	$T_J = 25^\circ\text{C}$, $I_{OUT} = 5\text{mA} - 1.0\text{A}$	5.76	6.0	6.24	V
		$V_{IN} = 8.5\text{V} \sim 21\text{V}$, $I_{OUT} = 5\text{mA} - 1.0\text{A}$, $P_D \leq 15\text{W}$	5.70		6.30	V
Load Regulation	ΔV_{OUT}	$T_J = 25^\circ\text{C}$, $I_{OUT} = 5\text{mA} - 1.0\text{A}$			60	mV
		$T_J = 25^\circ\text{C}$, $I_{OUT} = 0.25\text{A} - 0.75\text{A}$			30	mV
Line regulation	ΔV_{OUT}	$V_{IN} = 8\text{V} \sim 25\text{V}$, $T_J = 25^\circ\text{C}$			60	mV
		$V_{IN} = 8.5\text{V} \sim 21\text{V}$, $T_J = 25^\circ\text{C}$, $I_{OUT} = 1.0\text{A}$			60	mV
Quiescent Current	I_Q	$T_J = 25^\circ\text{C}$, $I_{OUT} \leq 1.0\text{A}$			8.0	mA
Quiescent Current Change	ΔI_Q	$V_{IN} = 8.5\text{V} \sim 21\text{V}$			1.0	mA
		$I_{OUT} = 5\text{mA} - 1.0\text{A}$			0.5	mA
Output Noise Voltage	eN	$10\text{Hz} \leq f \leq 100\text{kHz}$		45		μV
Temperature coefficient of V_o	$\Delta V_o / \Delta T$	$I_{OUT} = 5\text{mA}$		-0.7		$\text{mV}/^\circ\text{C}$
Ripple Rejection	RR	$V_{IN} = 9\text{V} - 19\text{V}$, $f = 120\text{Hz}$, $T_J = 25^\circ\text{C}$	59	75		dB
Peak Output Current	I_{PEAK}	$T_J = 25^\circ\text{C}$		1.8		A
Short-Circuit Current	I_{SC}	$V_{IN} = 35\text{V}$, $T_J = 25^\circ\text{C}$		250		mA
Dropout Voltage	V_D	$T_J = 25^\circ\text{C}$		2.0		V

■ ELECTRICAL CHARACTERISTICS (Cont.)

For 78T07A ($V_{IN}=13V$, $I_{OUT}=0.5A$)

PARAMETER	SYMBOL	TEST CONDITIONS	MIN	TYP	MAX	UNIT
Output Voltage	V_{OUT}	$T_J=25^{\circ}C$, $I_{OUT}=5mA-1.0A$	6.72	7.0	7.28	V
		$V_{IN}=9.5V-22V$, $I_{OUT}=5mA-1.0A$, $P_D \leq 15W$	6.65		7.35	V
Load Regulation	ΔV_{OUT}	$T_J=25^{\circ}C$, $I_{OUT}=5mA-1.0A$			70	mV
		$T_J=25^{\circ}C$, $I_{OUT}=0.25A-0.75A$			35	mV
Line regulation	ΔV_{OUT}	$V_{IN}=9V-25V$, $T_J=25^{\circ}C$			70	mV
		$V_{IN}=9.5V-22V$, $T_J=25^{\circ}C$, $I_{OUT}=1.0A$			70	mV
Quiescent Current	I_Q	$T_J=25^{\circ}C$, $I_{OUT} \leq 1.0A$			8.0	mA
Quiescent Current Change	ΔI_Q	$V_{IN}=9.5V-22V$			1.0	mA
		$I_{OUT}=5mA-1.0A$			0.5	mA
Output Noise Voltage	eN	$10Hz \leq f \leq 100kHz$		50		μV
Temperature coefficient of V_o	$\Delta V_o/\Delta T$	$I_{OUT}=5mA$		-0.8		mV/ $^{\circ}C$
Ripple Rejection	RR	$V_{IN}=10V-20V$, $f=120Hz$, $T_J=25^{\circ}C$	59	75		dB
Peak Output Current	I_{PEAK}	$T_J=25^{\circ}C$		1.7		A
Short-Circuit Current	I_{SC}	$V_{IN}=35V$, $T_J=25^{\circ}C$		250		mA
Dropout Voltage	V_D	$T_J=25^{\circ}C$		2.0		V

For 78T08A ($V_{IN}=14V$, $I_{OUT}=0.5A$)

PARAMETER	SYMBOL	TEST CONDITIONS	MIN	TYP	MAX	UNIT
Output Voltage	V_{OUT}	$T_J=25^{\circ}C$, $I_{OUT}=5mA-1.0A$	7.68	8.0	8.32	V
		$V_{IN}=10.5V-23V$, $I_{OUT}=5mA-1.0A$, $P_D \leq 15W$	7.60		8.40	V
Load Regulation	ΔV_{OUT}	$T_J=25^{\circ}C$, $I_{OUT}=5mA-1.0A$			80	mV
		$T_J=25^{\circ}C$, $I_{OUT}=0.25A-0.75A$			40	mV
Line regulation	ΔV_{OUT}	$V_{IN}=10.5V-25V$, $T_J=25^{\circ}C$			80	mV
		$V_{IN}=10.5V-23V$, $T_J=25^{\circ}C$, $I_{OUT}=1.0A$			80	mV
Quiescent Current	I_Q	$T_J=25^{\circ}C$, $I_{OUT} \leq 1.0A$			8.0	mA
Quiescent Current Change	ΔI_Q	$V_{IN}=10.5V-23V$			1.0	mA
		$I_{OUT}=5mA-1.0A$			0.5	mA
Output Noise Voltage	eN	$10Hz \leq f \leq 100kHz$		58		μV
Temperature coefficient of V_o	$\Delta V_o/\Delta T$	$I_{OUT}=5mA$		-0.9		mV/ $^{\circ}C$
Ripple Rejection	RR	$V_{IN}=11.5V-21.5V$, $f=120Hz$, $T_J=25^{\circ}C$	56	72		dB
Peak Output Current	I_{PEAK}	$T_J=25^{\circ}C$		1.8		A
Short-Circuit Current	I_{SC}	$V_{IN}=35V$, $T_J=25^{\circ}C$		250		mA
Dropout Voltage	V_D	$T_J=25^{\circ}C$		2.0		V

For 78T09A ($V_{IN}=15V$, $I_{OUT}=0.5A$)

PARAMETER	SYMBOL	TEST CONDITIONS	MIN	TYP	MAX	UNIT
Output Voltage	V_{OUT}	$T_J=25^{\circ}C$, $I_{OUT}=5mA-1.0A$	8.64	9.0	9.36	V
		$V_{IN}=11.5V-24V$, $I_{OUT}=5mA-1.0A$, $P_D \leq 15W$	8.55		9.45	V
Load Regulation	ΔV_{OUT}	$T_J=25^{\circ}C$, $I_{OUT}=5mA-1.0A$			90	mV
		$T_J=25^{\circ}C$, $I_{OUT}=0.25A-0.75A$			45	mV
Line regulation	ΔV_{OUT}	$V_{IN}=11.5V-25V$, $T_J=25^{\circ}C$			90	mV
		$V_{IN}=11.5V-24V$, $T_J=25^{\circ}C$, $I_{OUT}=1.0A$			90	mV
Quiescent Current	I_Q	$T_J=25^{\circ}C$, $I_{OUT} \leq 1.0A$			8.0	mA
Quiescent Current Change	ΔI_Q	$V_{IN}=11.5V-24V$			1.0	mA
		$I_{OUT}=5mA-1.0A$			0.5	mA
Output Noise Voltage	eN	$10Hz \leq f \leq 100kHz$		58		μV
Temperature coefficient of V_o	$\Delta V_o/\Delta T$	$I_{OUT}=5mA$		-1.1		mV/ $^{\circ}C$
Ripple Rejection	RR	$V_{IN}=12.5V-22.5V$, $f=120Hz$, $T_J=25^{\circ}C$	56	72		dB
Peak Output Current	I_{PEAK}	$T_J=25^{\circ}C$		1.8		A
Short-Circuit Current	I_{SC}	$V_{IN}=35V$, $T_J=25^{\circ}C$		250		mA
Dropout Voltage	V_D	$T_J=25^{\circ}C$		2.0		V

■ ELECTRICAL CHARACTERISTICS (Cont.)

For 78T10A ($V_{IN}=16V$, $I_{OUT}=0.5A$)

PARAMETER	SYMBOL	TEST CONDITIONS	MIN	TYP	MAX	UNIT
Output Voltage	V_{OUT}	$T_J=25^{\circ}C$, $I_{OUT}=5mA-1.0A$	9.60	10.0	10.40	V
		$V_{IN}=12.5V-25V$, $I_{OUT}=5mA-1.0A$, $P_D \leq 15W$	9.50		10.50	V
Load Regulation	ΔV_{OUT}	$T_J=25^{\circ}C$, $I_{OUT}=5mA-1.0A$			100	mV
		$T_J=25^{\circ}C$, $I_{OUT}=0.25A-0.75A$			50	mV
Line regulation	ΔV_{OUT}	$V_{IN}=13V-25V$, $T_J=25^{\circ}C$			100	mV
		$V_{IN}=13V-25V$, $T_J=25^{\circ}C$, $I_{OUT}=1.0A$			100	mV
Quiescent Current	I_Q	$T_J=25^{\circ}C$, $I_{OUT} \leq 1.0A$			8.0	mA
Quiescent Current Change	ΔI_Q	$V_{IN}=12.6V-25V$			1.0	mA
		$I_{OUT}=5mA-1.0A$			0.5	mA
Output Noise Voltage	eN	$10Hz \leq f \leq 100kHz$		58		μV
Temperature coefficient of V_o	$\Delta V_o/\Delta T$	$I_{OUT}=5mA$		-1.1		mV/ $^{\circ}C$
Ripple Rejection	RR	$V_{IN}=13V-23V$, $f=120Hz$, $T_J=25^{\circ}C$	56	72		dB
Peak Output Current	I_{PEAK}	$T_J=25^{\circ}C$		1.8		A
Short-Circuit Current	I_{SC}	$V_{IN}=35V$, $T_J=25^{\circ}C$		250		mA
Dropout Voltage	V_D	$T_J=25^{\circ}C$		2.0		V

For 78T12A ($V_{IN}=19V$, $I_{OUT}=0.5A$)

PARAMETER	SYMBOL	TEST CONDITIONS	MIN	TYP	MAX	UNIT
Output Voltage	V_{OUT}	$T_J=25^{\circ}C$, $I_{OUT}=5mA-1.0A$	11.52	12.0	12.48	V
		$V_{IN}=14.5V-27V$, $I_{OUT}=5mA-1.0A$, $P_D \leq 15W$	11.40		12.60	V
Load Regulation	ΔV_{OUT}	$T_J=25^{\circ}C$, $I_{OUT}=5mA-1.0A$			120	mV
		$T_J=25^{\circ}C$, $I_{OUT}=0.25A-0.75A$			60	mV
Line regulation	ΔV_{OUT}	$V_{IN}=14.5V-30V$, $T_J=25^{\circ}C$			120	mV
		$V_{IN}=14.6V-27V$, $T_J=25^{\circ}C$, $I_{OUT}=1.0A$			120	mV
Quiescent Current	I_Q	$T_J=25^{\circ}C$, $I_{OUT} \leq 1.0A$			8.0	mA
Quiescent Current Change	ΔI_Q	$V_{IN}=14.5V-30V$			1.0	mA
		$I_{OUT}=5mA-1.0A$			0.5	mA
Output Noise Voltage	eN	$10Hz \leq f \leq 100kHz$		75		μV
Temperature coefficient of V_o	$\Delta V_o/\Delta T$	$I_{OUT}=5mA$		-1.5		mV/ $^{\circ}C$
Ripple Rejection	RR	$V_{IN}=15V-25V$, $f=120Hz$, $T_J=25^{\circ}C$	55	72		dB
Peak Output Current	I_{PEAK}	$T_J=25^{\circ}C$		1.8		A
Short-Circuit Current	I_{SC}	$V_{IN}=35V$, $T_J=25^{\circ}C$		250		mA
Dropout Voltage	V_D	$T_J=25^{\circ}C$		2.0		V

For 78T15A ($V_{IN}=23V$, $I_{OUT}=0.5A$)

PARAMETER	SYMBOL	TEST CONDITIONS	MIN	TYP	MAX	UNIT
Output Voltage	V_{OUT}	$T_J=25^{\circ}C$, $I_{OUT}=5mA-1.0A$	14.40	15.0	15.60	V
		$V_{IN}=17.5V-30V$, $I_{OUT}=5mA-1.0A$, $P_D \leq 15W$	14.25		15.75	V
Load Regulation	ΔV_{OUT}	$T_J=25^{\circ}C$, $I_{OUT}=5mA-1.0A$			150	mV
		$T_J=25^{\circ}C$, $I_{OUT}=0.25A-0.75A$			75	mV
Line regulation	ΔV_{OUT}	$V_{IN}=18.5V-30V$, $T_J=25^{\circ}C$			150	mV
		$V_{IN}=17.7V-30V$, $T_J=25^{\circ}C$, $I_{OUT}=1.0A$			150	mV
Quiescent Current	I_Q	$T_J=25^{\circ}C$, $I_{OUT} \leq 1.0A$			8.0	mA
Quiescent Current Change	ΔI_Q	$V_{IN}=17.5V-30V$			1.0	mA
		$I_{OUT}=5mA-1.0A$			0.5	mA
Output Noise Voltage	eN	$10Hz \leq f \leq 100kHz$		90		μV
Temperature coefficient of V_o	$\Delta V_o/\Delta T$	$I_{OUT}=5mA$		-1.8		mV/ $^{\circ}C$
Ripple Rejection	RR	$V_{IN}=18.5V-28.5V$, $f=120Hz$, $T_J=25^{\circ}C$	54	70		dB
Peak Output Current	I_{PEAK}	$T_J=25^{\circ}C$		1.8		A
Short-Circuit Current	I_{SC}	$V_{IN}=35V$, $T_J=25^{\circ}C$		250		mA
Dropout Voltage	V_D	$T_J=25^{\circ}C$		2.0		V

■ ELECTRICAL CHARACTERISTICS (Cont.)

For 78T18A ($V_{IN}=27V$, $I_{OUT}=0.5A$)

PARAMETER	SYMBOL	TEST CONDITIONS	MIN	TYP	MAX	UNIT
Output Voltage	V_{OUT}	$T_J=25^{\circ}C$, $I_{OUT}=5mA-1.0A$	17.28	18.0	18.72	V
		$V_{IN}=21V-33V$, $I_{OUT}=5mA-1.0A$, $P_D \leq 15W$	17.10		18.90	V
Load Regulation	ΔV_{OUT}	$T_J=25^{\circ}C$, $I_{OUT}=5mA-1.0A$			180	mV
		$T_J=25^{\circ}C$, $I_{OUT}=0.25A-0.75A$			90	mV
Line regulation	ΔV_{OUT}	$V_{IN}=21V-33V$, $T_J=25^{\circ}C$			180	mV
		$V_{IN}=21V-33V$, $T_J=25^{\circ}C$, $I_{OUT}=1.0A$			180	mV
Quiescent Current	I_Q	$T_J=25^{\circ}C$, $I_{OUT} \leq 1.0A$			8.0	mA
Quiescent Current Change	ΔI_Q	$V_{IN}=21.5V-33V$			1.0	mA
		$I_{OUT}=5mA-1.0A$			0.5	mA
Output Noise Voltage	eN	$10Hz \leq f \leq 100kHz$		110		μV
Temperature coefficient of V_o	$\Delta V_o/\Delta T$	$I_{OUT}=5mA$		-2.2		$mV/^{\circ}C$
Ripple Rejection	RR	$V_{IN}=22V-32V$, $f=120Hz$, $T_J=25^{\circ}C$	53	69		dB
Peak Output Current	I_{PEAK}	$T_J=25^{\circ}C$		1.8		A
Short-Circuit Current	I_{SC}	$V_{IN}=35V$, $T_J=25^{\circ}C$		250		mA
Dropout Voltage	V_D	$T_J=25^{\circ}C$		2.0		V

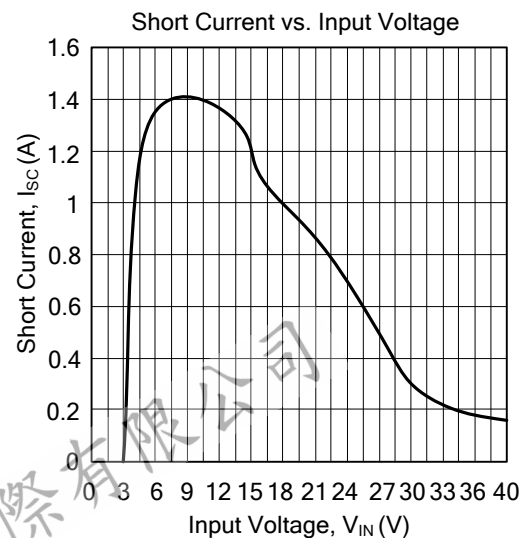
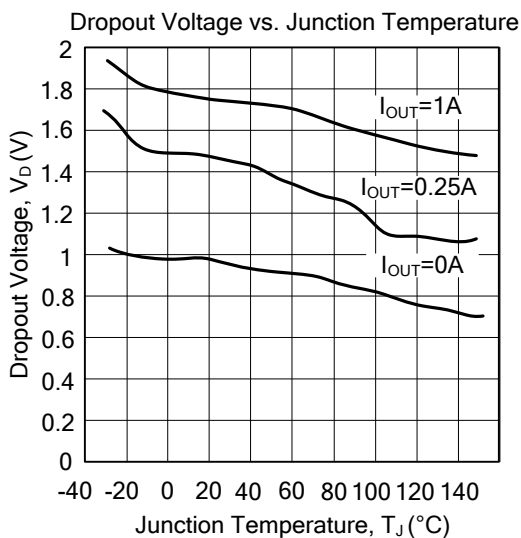
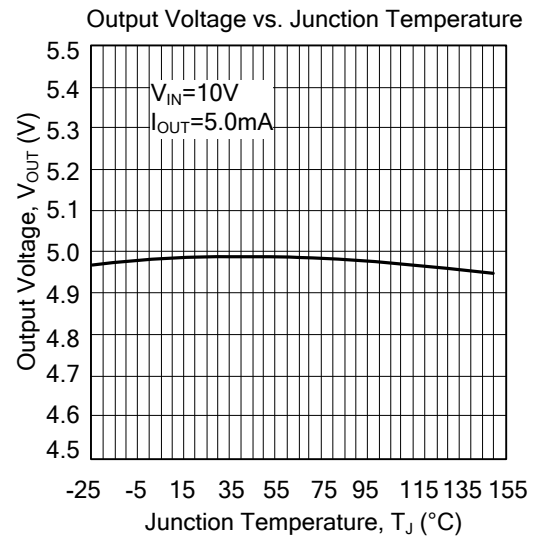
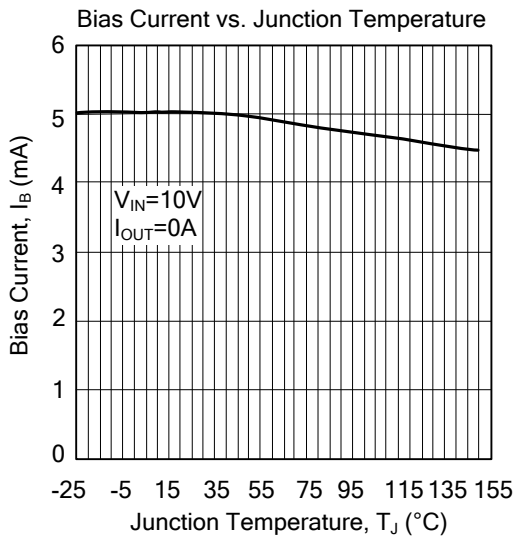
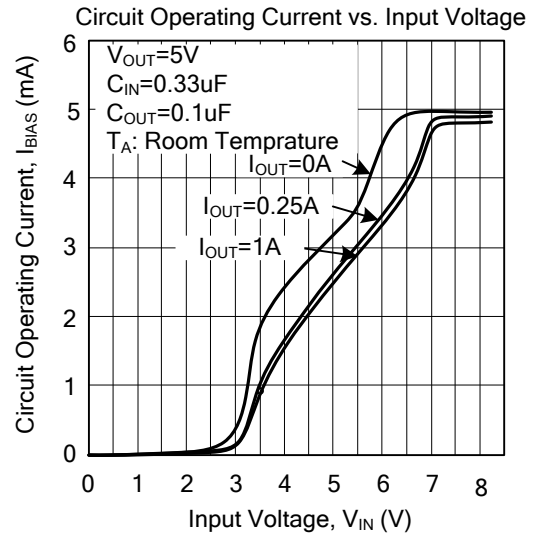
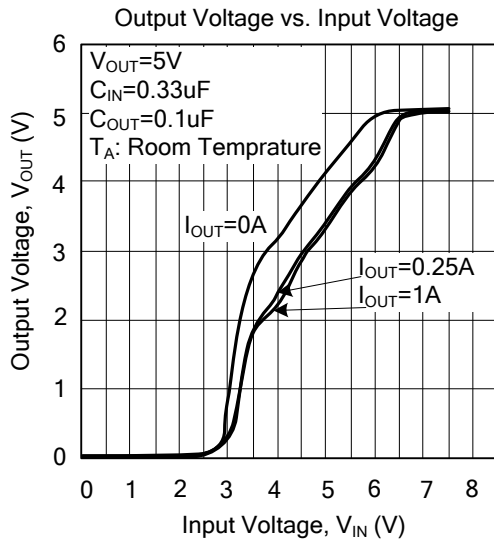
For 78T24A ($V_{IN}=33V$, $I_{OUT}=0.5A$)

PARAMETER	SYMBOL	TEST CONDITIONS	MIN	TYP	MAX	UNIT
Output Voltage	V_{OUT}	$T_J=25^{\circ}C$, $I_{OUT}=5mA-1.0A$	23.04	24.0	24.96	V
		$V_{IN}=27V-38V$, $I_{OUT}=5mA-1.0A$, $P_D \leq 15W$	22.80		25.20	V
Load Regulation	ΔV_{OUT}	$T_J=25^{\circ}C$, $I_{OUT}=5mA-1.0A$			240	mV
		$T_J=25^{\circ}C$, $I_{OUT}=0.25A-0.75A$			120	mV
Line regulation	ΔV_{OUT}	$V_{IN}=27V-38V$, $T_J=25^{\circ}C$			240	mV
		$V_{IN}=27V-38V$, $T_J=25^{\circ}C$, $I_{OUT}=1.0A$			240	mV
Quiescent Current	I_Q	$T_J=25^{\circ}C$, $I_{OUT} \leq 1.0A$			8.0	mA
Quiescent Current Change	ΔI_Q	$V_{IN}=28V-38V$			1.0	mA
		$I_{OUT}=5mA-1.0A$			0.5	mA
Output Noise Voltage	eN	$10Hz \leq f \leq 100kHz$		170		μV
Temperature coefficient of V_o	$\Delta V_o/\Delta T$	$I_{OUT}=5mA$		-2.8		$mV/^{\circ}C$
Ripple Rejection	RR	$V_{IN}=28V-38V$, $f=120Hz$, $T_J=25^{\circ}C$	50	66		dB
Peak Output Current	I_{PEAK}	$T_J=25^{\circ}C$		1.8		A
Short-Circuit Current	I_{SC}	$V_{IN}=35V$, $T_J=25^{\circ}C$		250		mA
Dropout Voltage	V_D	$T_J=25^{\circ}C$		2.0		V

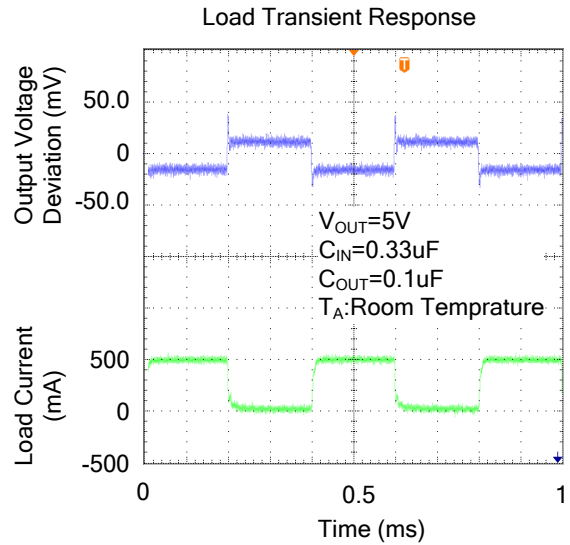
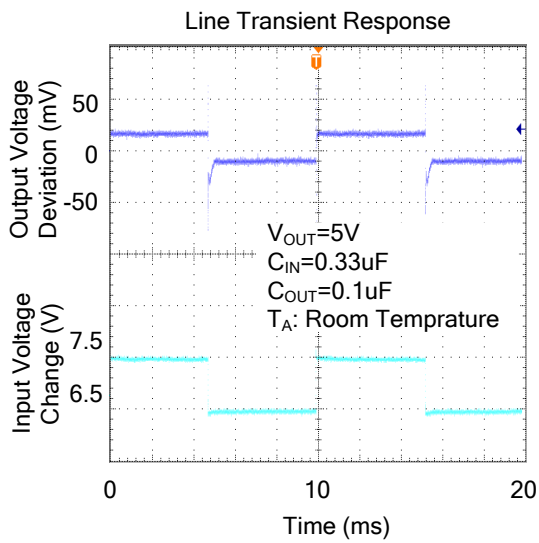
Note 1: The Maximum steady state usable output current are dependent on input voltage, heat sinking, lead length of the package and copper pattern of PCB. The data above represents pulse test conditions with junction temperatures specified at the initiation of test.

2: Power dissipation < 0.5W

TYPICAL CHARACTERISTICS



■ TYPICAL CHARACTERISTICS(Cont.)



UTC assumes no responsibility for equipment failures that result from using products at values that exceed, even momentarily, rated values (such as maximum ratings, operating condition ranges, or other parameters) listed in products specifications of any and all UTC products described or contained herein. UTC products are not designed for use in life support appliances, devices or systems where malfunction of these products can be reasonably expected to result in personal injury. Reproduction in whole or in part is prohibited without the prior written consent of the copyright owner. UTC reserves the right to make changes to information published in this document, including without limitation specifications and product descriptions, at any time and without notice. This document supersedes and replaces all information supplied prior to the publication hereof.