



79LXX

LINEAR INTEGRATED CIRCUIT

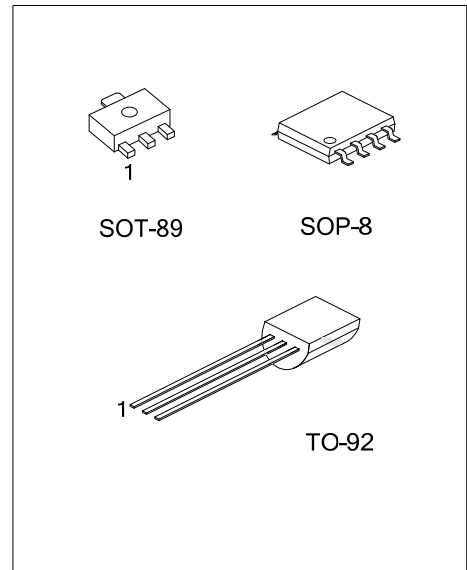
3-TERMINAL 0.1A NEGATIVE VOLTAGE REGULATOR

DESCRIPTION

The UTC **79LXX** family is monolithic fixed voltage regulator integrated circuit. They are suitable for applications that required supply current up to 100mA.

FEATURES

- * Output current up to 100mA.
- * Fixed output voltage of -5V, -6V, -8V, -9V, -10V, -12V, -15V, -18V and -24V available.
- * Thermal overload shutdown protection.
- * Short circuit current limiting.



ORDERING INFORMATION

| Ordering Number | | Package | Pin Assignment | | | | | | | | Packing |
|-----------------|--------------|---------|----------------|---|---|---|---|---|---|---|-----------|
| Lead Free | Halogen Free | | 1 | 2 | 3 | 4 | 5 | 6 | 7 | 8 | |
| 79LXXL-AB3-R | 79LXXG-AB3-R | SOT-89 | G | I | O | - | - | - | - | - | Tape Reel |
| 79LXXL-S08-R | 79LXXG-S08-R | SOP-8 | O | I | I | N | G | I | I | N | Tape Reel |
| 79LXXL-T92-B | 79LXXG-T92-B | TO-92 | G | I | O | - | - | - | - | - | Tape Box |
| 79LXXL-T92-K | 79LXXG-T92-K | TO-92 | G | I | O | - | - | - | - | - | Bulk |

Notes: 1. XX: Output Voltage, refer to Marking Information
 2. Note: Pin Assignment: I:V_{IN} O:V_{OUT} G:GND

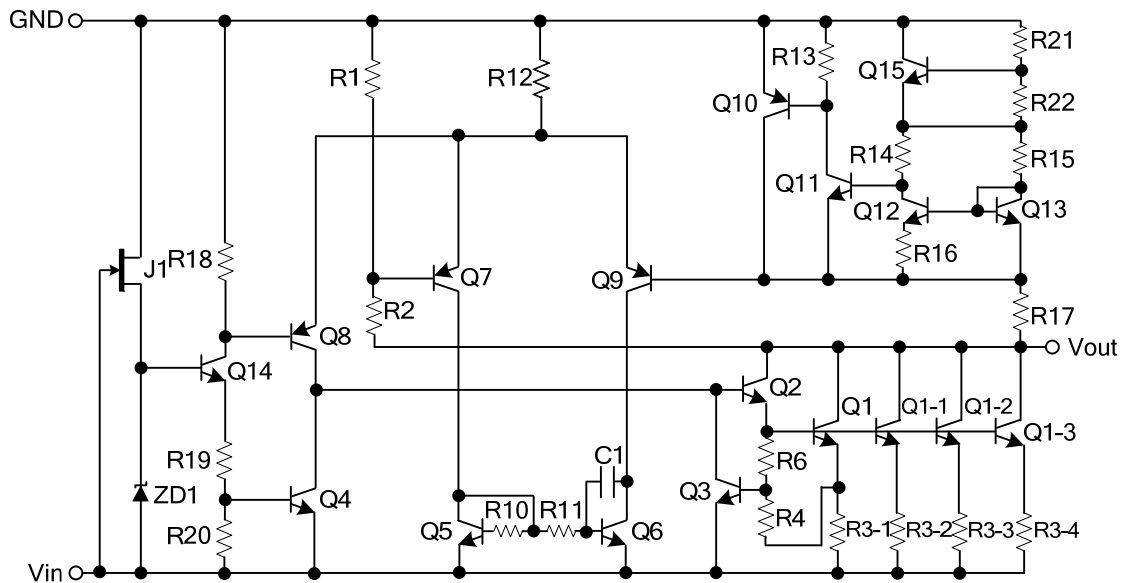
| | |
|---------------------|---|
| <p>79LXXG-AB3-R</p> | <p>(1) B: Tape Box, K: Bulk, R: Tape Reel (2) AB3: SOT-89, S08: SOP-8, T92: TO-92 (3) G: Halogen Free and Lead Free, L: Lead Free (4) XX: refer to Marking Information</p> |
|---------------------|---|



MARKING INFORMATION

| PACKAGE | VOLTAGE CODE | MARKING |
|---------|---|--|
| SOT-89 | | <p>Date Code</p> <p>Voltage Code</p> <p>79LXX</p> <p>1 2 3</p> <p>L: Lead Free G: Halogen Free</p> |
| TO-92 | 05:-5.0V 06:-6.0V 08:-8.0V 09:-9.0V 10:-10V 12:-12V 15:-15V 18:-18V 24:-24V | <p>UTC</p> <p>79LXX</p> <p>1 2 3</p> <p>G: Halogen Free L: Lead Free</p> <p>Voltage Code</p> <p>Date Code</p> |
| SOP-8 | | <p>UTC</p> <p>79LXX</p> <p>1 2 3 4</p> <p>8 7 6 5</p> <p>L: Lead Free G: Halogen Free</p> <p>Date Code</p> <p>Voltage Code</p> <p>Lot Code</p> |

BLOCK DIAGRAM



■ ABSOLUTE MAXIMUM RATINGS

| PARAMETER | | SYMBOL | VALUE | UNIT |
|-----------------------|---------------------------|-----------|------------|------|
| Input Voltage | $V_{OUT} = -5 \sim -9V$ | V_{IN} | -30 | V |
| | $V_{OUT} = -12 \sim -15V$ | | -35 | V |
| | $V_{OUT} = -18 \sim -24V$ | | -35 | V |
| Power Dissipation | SOT-89 | P_D | 350 | mW |
| | SOP-8 | | 300 | mW |
| | TO-92 | | 625 | mW |
| Operating Temperature | | T_{OPR} | -40 ~ +85 | °C |
| Storage Temperature | | T_{STG} | -40 ~ +125 | °C |

Note: Absolute maximum ratings are those values beyond which the device could be permanently damaged.

Absolute maximum ratings are stress ratings only and functional device operation is not implied.

■ ELECTRICAL CHARACTERISTICS

79L05($T_J=25^\circ C$, $C_1=0.33\mu F$, $C_{OUT}=1\mu F$, unless otherwise specified)

| PARAMETER | SYMBOL | TEST CONDITIONS | MIN | TYP | MAX | UNIT |
|----------------------|--|---|------|------|------|---------|
| Output Voltage | V_{OUT} | $V_{IN}=-10V$, $I_{OUT}=40mA$ | -4.8 | -5.0 | -5.2 | V |
| Line Regulation | $\frac{\Delta V_{OUT}}{\Delta V_{IN} \times V_{OUT}}$ | $V_{IN}=-7 \sim -20V$, $I_{OUT}=40mA$ | | 15 | 150 | mV |
| Load Regulation | $\frac{\Delta V_{OUT}}{\Delta I_{OUT} \times V_{OUT}}$ | $V_{IN}=-10V$, $I_{OUT}=1 \sim 100mA$ | | 7 | 60 | mV |
| Quiescent current | I_Q | $V_{IN}=-10V$, $I_{OUT}=40mA$ | | 3.5 | 6.0 | mA |
| Ripple Rejection | RR | $V_{IN}=-8 \sim -18V$, $I_{OUT}=40mA$, $e_{IN}=1V_{P-P}$, $f=120Hz$ | 41 | 71 | | dB |
| Output Voltage Noise | eN | $V_{IN}=-10V$, $I_{OUT}=40mA$ $BW=10Hz \sim 100kHz$ | | 120 | | μV |

79L06($T_J=25^\circ C$, $C_1=0.33\mu F$, $C_{OUT}=1\mu F$, unless otherwise specified)

| PARAMETER | SYMBOL | TEST CONDITIONS | MIN | TYP | MAX | UNIT |
|----------------------|--|---|-------|------|-------|---------|
| Output Voltage | V_{OUT} | $V_{IN}=-12V$, $I_{OUT}=40mA$ | -5.76 | -6.0 | -6.24 | V |
| Line Regulation | $\frac{\Delta V_{OUT}}{\Delta V_{IN} \times V_{OUT}}$ | $V_{IN}=-8.5 \sim -20V$, $I_{OUT}=40mA$ | | 15 | 150 | mV |
| Load Regulation | $\frac{\Delta V_{OUT}}{\Delta I_{OUT} \times V_{OUT}}$ | $V_{IN}=-12V$, $I_{OUT}=1 \sim 100mA$ | | 7 | 60 | mV |
| Quiescent current | I_Q | $V_{IN}=-12V$, $I_{OUT}=40mA$ | | 3.5 | 6.0 | mA |
| Ripple Rejection | RR | $V_{IN}=-9 \sim -19V$, $I_{OUT}=40mA$ $e_{IN}=1V_{P-P}$, $f=120Hz$ | 41 | 71 | | dB |
| Output Voltage Noise | eN | $V_{IN}=-12V$, $I_{OUT}=40mA$ $BW=10Hz \sim 100kHz$ | | 120 | | μV |

79L08($T_J=25^\circ C$, $C_1=0.33\mu F$, $C_{OUT}=1\mu F$, unless otherwise specified)

| PARAMETER | SYMBOL | Test conditions | MIN | TYP | MAX | UNIT |
|----------------------|--|--|-------|------|-------|---------|
| Output Voltage | V_{OUT} | $V_{IN}=-14V$, $I_{OUT}=40mA$ | -7.68 | -8.0 | -8.32 | V |
| Line Regulation | $\frac{\Delta V_{OUT}}{\Delta V_{IN} \times V_{OUT}}$ | $V_{IN}=-10.5 \sim -23V$, $I_{OUT}=40mA$ | | 24 | 175 | mV |
| Load Regulation | $\frac{\Delta V_{OUT}}{\Delta I_{OUT} \times V_{OUT}}$ | $V_{IN}=-14V$, $I_{OUT}=1 \sim 100mA$ | | 10 | 80 | mV |
| Quiescent current | I_Q | $V_{IN}=-14V$, $I_{OUT}=40mA$ | | 3.5 | 6.0 | mA |
| Ripple Rejection | RR | $V_{IN}=-11 \sim -21V$, $I_{OUT}=40mA$ $e_{IN}=1V_{P-P}$, $f=140Hz$ | 39 | 68 | | dB |
| Output Voltage Noise | eN | $V_{IN}=-14V$, $I_{OUT}=40mA$ $BW=10Hz \sim 100kHz$ | | 190 | | μV |

■ ELECTRICAL CHARACTERISTICS(Cont.)

79L09($T_J=25^\circ\text{C}$, $C_1=0.33\mu\text{F}$, $C_{OUT}=1\mu\text{F}$, unless otherwise specified)

| PARAMETER | SYMBOL | TEST CONDITIONS | MIN | TYP | MAX | UNIT |
|----------------------|--|--|-------|------|-------|---------------|
| Output Voltage | V_{OUT} | $V_{IN}=-15\text{V}$, $I_{OUT}=40\text{mA}$ | -8.64 | -9.0 | -9.36 | V |
| Line Regulation | $\frac{\Delta V_{OUT}}{\Delta V_{IN} \times V_{OUT}}$ | $V_{IN}=-12.5\sim-24\text{V}$, $I_{OUT}=40\text{mA}$ | | 27 | 200 | mV |
| Load Regulation | $\frac{\Delta V_{OUT}}{\Delta I_{OUT} \times V_{OUT}}$ | $V_{IN}=-15\text{V}$, $I_{OUT}=1\sim 100\text{mA}$ | | 12 | 90 | mV |
| Quiescent current | I_Q | $V_{IN}=-15\text{V}$, $I_{OUT}=40\text{mA}$ | | 3.5 | 6.0 | mA |
| Ripple Rejection | RR | $V_{IN}=-12\sim-22\text{V}$, $I_{OUT}=40\text{mA}$ $e_{IN}=1\text{V}_{P-P}$, $f=150\text{Hz}$ | 37 | 64 | | dB |
| Output Voltage Noise | eN | $V_{IN}=-15\text{V}$, $I_{OUT}=40\text{mA}$ $BW=10\text{Hz}\sim 100\text{kHz}$ | | 210 | | μV |

79L10($T_J=25^\circ\text{C}$, $C_1=0.33\mu\text{F}$, $C_{OUT}=1\mu\text{F}$, unless otherwise specified)

| PARAMETER | SYMBOL | TEST CONDITIONS | MIN | TYP | MAX | UNIT |
|----------------------|--|--|------|-----|-------|---------------|
| Output Voltage | V_{OUT} | $V_{IN}=-16\text{V}$, $I_{OUT}=40\text{mA}$ | -9.6 | -10 | -10.4 | V |
| Line Regulation | $\frac{\Delta V_{OUT}}{\Delta V_{IN} \times V_{OUT}}$ | $V_{IN}=-13\sim-24\text{V}$, $I_{OUT}=40\text{mA}$ | | 30 | 220 | mV |
| Load Regulation | $\frac{\Delta V_{OUT}}{\Delta I_{OUT} \times V_{OUT}}$ | $V_{IN}=-16\text{V}$, $I_{OUT}=1\sim 100\text{mA}$ | | 15 | 95 | mV |
| Quiescent current | I_Q | $V_{IN}=-16\text{V}$, $I_{OUT}=40\text{mA}$ | | 3.5 | 6.0 | mA |
| Ripple Rejection | RR | $V_{IN}=-13\sim-23\text{V}$, $I_{OUT}=40\text{mA}$ $e_{IN}=1\text{V}_{P-P}$, $f=150\text{Hz}$ | 37 | 64 | | dB |
| Output Voltage Noise | eN | $V_{IN}=-16\text{V}$, $I_{OUT}=40\text{mA}$ $BW=10\text{Hz}\sim 100\text{kHz}$ | | 210 | | μV |

79L12($T_J=25^\circ\text{C}$, $C_1=0.33\mu\text{F}$, $C_{OUT}=1\mu\text{F}$, unless otherwise specified)

| PARAMETER | SYMBOL | TEST CONDITIONS | MIN | TYP | MAX | UNIT |
|----------------------|--|--|--------|-------|--------|---------------|
| Output Voltage | V_{OUT} | $V_{IN}=-19\text{V}$, $I_{OUT}=40\text{mA}$ | -11.52 | -12.0 | -12.48 | V |
| Line Regulation | $\frac{\Delta V_{OUT}}{\Delta V_{IN} \times V_{OUT}}$ | $V_{IN}=-14.5\sim-27\text{V}$, $I_{OUT}=40\text{mA}$ | | 36 | 250 | mV |
| Load Regulation | $\frac{\Delta V_{OUT}}{\Delta I_{OUT} \times V_{OUT}}$ | $V_{IN}=-19\text{V}$, $I_{OUT}=1\sim 100\text{mA}$ | | 16 | 100 | mV |
| Quiescent current | I_Q | $V_{IN}=-19\text{V}$, $I_{OUT}=40\text{mA}$ | | 3.5 | 6.0 | mA |
| Ripple Rejection | RR | $V_{IN}=-15\sim-25\text{V}$, $I_{OUT}=40\text{mA}$ $e_{IN}=1\text{V}_{P-P}$, $f=190\text{Hz}$ | 37 | 64 | | dB |
| Output Voltage Noise | eN | $V_{IN}=-19\text{V}$, $I_{OUT}=40\text{mA}$ $BW=10\text{Hz}\sim 100\text{kHz}$ | | 210 | | μV |

79L15($T_J=25^\circ\text{C}$, $C_1=0.33\mu\text{F}$, $C_{OUT}=1\mu\text{F}$, unless otherwise specified)

| PARAMETER | SYMBOL | TEST CONDITIONS | MIN | TYP | MAX | UNIT |
|----------------------|--|--|-------|-------|-------|---------------|
| Output Voltage | V_{OUT} | $V_{IN}=-23\text{V}$, $I_{OUT}=40\text{mA}$ | -14.4 | -15.0 | -15.6 | V |
| Line Regulation | $\frac{\Delta V_{OUT}}{\Delta V_{IN} \times V_{OUT}}$ | $V_{IN}=-17.5\sim-30\text{V}$, $I_{OUT}=40\text{mA}$ | | 45 | 300 | mV |
| Load Regulation | $\frac{\Delta V_{OUT}}{\Delta I_{OUT} \times V_{OUT}}$ | $V_{IN}=-23\text{V}$, $I_{OUT}=1\sim 100\text{mA}$ | | 20 | 150 | mV |
| Quiescent current | I_Q | $V_{IN}=-23\text{V}$, $I_{OUT}=40\text{mA}$ | | 3.5 | 6.0 | mA |
| Ripple Rejection | RR | $V_{IN}=-18.5\sim-28.5\text{V}$, $I_{OUT}=40\text{mA}$ $e_{IN}=1\text{V}_{P-P}$, $f=230\text{Hz}$ | 34 | 63 | | dB |
| Output Voltage Noise | eN | $V_{IN}=-23\text{V}$, $I_{OUT}=40\text{mA}$ $BW=10\text{Hz}\sim 100\text{kHz}$ | | 340 | | μV |

■ ELECTRICAL CHARACTERISTICS(Cont.)

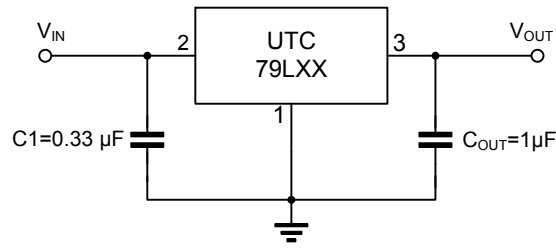
79L18($T_J=25^\circ\text{C}$, $C_1=0.33\mu\text{F}$, $C_{OUT}=1\mu\text{F}$, unless otherwise specified)

| PARAMETER | SYMBOL | TEST CONDITIONS | MIN | TYP | MAX | UNIT |
|----------------------|--|--|--------|-------|--------|---------------|
| Output Voltage | V_{OUT} | $V_{IN}=-27\text{V}$, $I_{OUT}=40\text{mA}$ | -17.28 | -18.0 | -18.72 | V |
| Line Regulation | $\frac{\Delta V_{OUT}}{\Delta V_{IN} \times V_{OUT}}$ | $V_{IN}=-20.5\sim-33\text{V}$, $I_{OUT}=40\text{mA}$ | | 54 | 300 | mV |
| Load Regulation | $\frac{\Delta V_{OUT}}{\Delta I_{OUT} \times V_{OUT}}$ | $V_{IN}=-27\text{V}$, $I_{OUT}=1\sim 100\text{mA}$ | | 23 | 170 | mV |
| Quiescent current | I_Q | $V_{IN}=-27\text{V}$, $I_{OUT}=40\text{mA}$ | | 3.5 | 6.0 | mA |
| Ripple Rejection | RR | $V_{IN}=-23\sim-33\text{V}$, $I_{OUT}=40\text{mA}$ $e_{IN}=1\text{V}_{P-P}$, $f=270\text{Hz}$ | 33 | 60 | | dB |
| Output Voltage Noise | eN | $V_{IN}=-27\text{V}$, $I_{OUT}=40\text{mA}$ $BW=10\text{Hz}\sim 100\text{kHz}$ | | 410 | | μV |

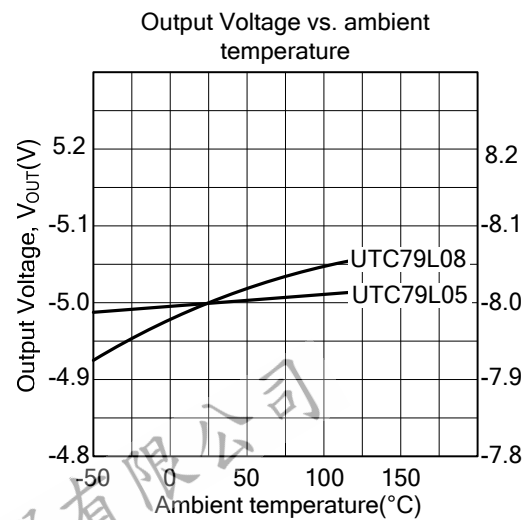
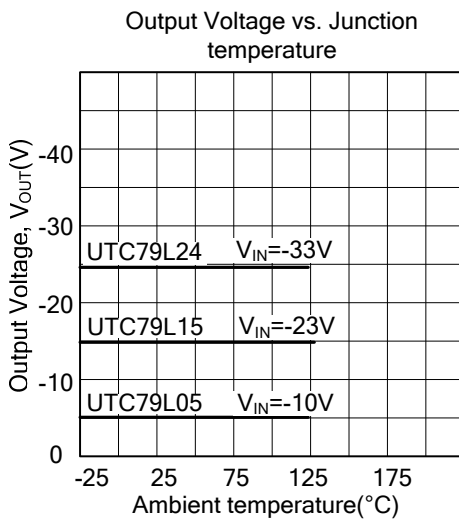
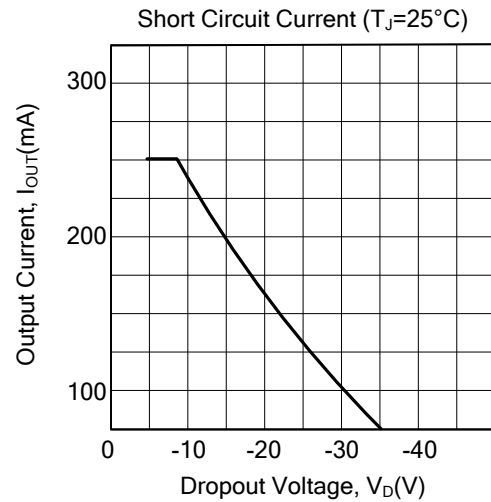
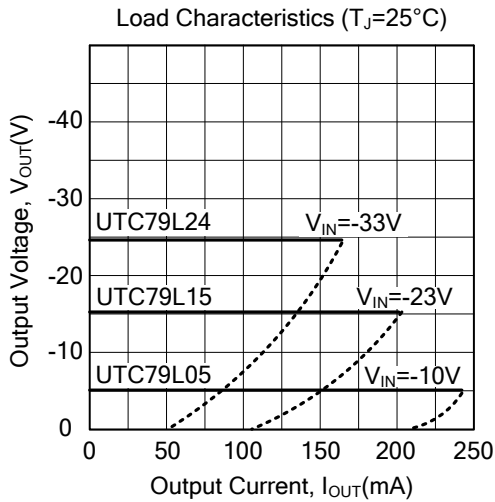
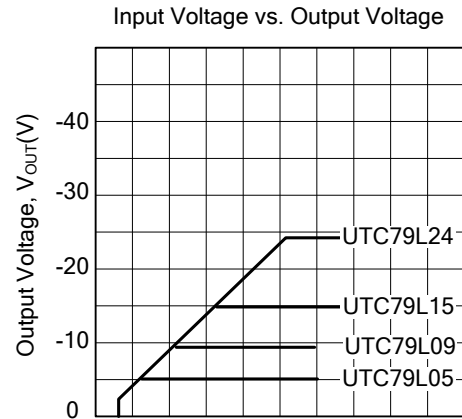
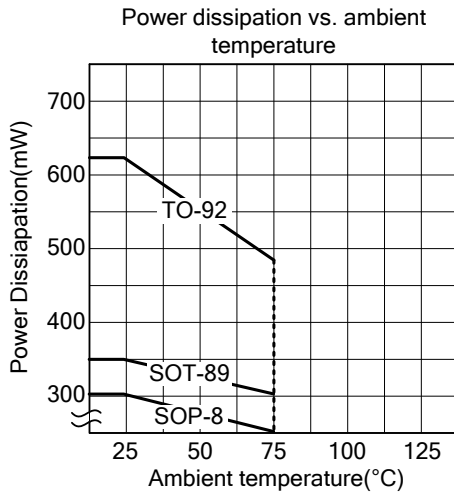
79L24($T_J=25^\circ\text{C}$, $C_1=0.33\mu\text{F}$, $C_{OUT}=1\mu\text{F}$, unless otherwise specified)

| PARAMETER | SYMBOL | TEST CONDITIONS | MIN | TYP | MAX | UNIT |
|----------------------|--|--|--------|-------|--------|---------------|
| Output Voltage | V_{OUT} | $V_{IN}=-33\text{V}$, $I_{OUT}=40\text{mA}$ | -23.04 | -24.0 | -24.96 | V |
| Line Regulation | $\frac{\Delta V_{OUT}}{\Delta V_{IN} \times V_{OUT}}$ | $V_{IN}=-27\sim-38\text{V}$, $I_{O}=40\text{mA}$ | | 72 | 350 | mV |
| Load Regulation | $\frac{\Delta V_{OUT}}{\Delta I_{OUT} \times V_{OUT}}$ | $V_{IN}=-33\text{V}$, $I_{OUT}=1\sim 100\text{mA}$ | | 30 | 200 | mV |
| Quiescent current | I_Q | $V_{IN}=-33\text{V}$, $I_{OUT}=40\text{mA}$ | | 3.5 | 6.0 | mA |
| Ripple Rejection | RR | $V_{IN}=-29\sim-35\text{V}$, $I_{OUT}=40\text{mA}$ $e_{IN}=1\text{V}_{P-P}$, $f=330\text{Hz}$ | 31 | 55 | | dB |
| Output Voltage Noise | eN | $V_{IN}=-33\text{V}$, $I_{OUT}=40\text{mA}$ $BW=10\text{Hz}\sim 100\text{kHz}$ | | 550 | | μV |

■ APPLICATION CIRCUIT

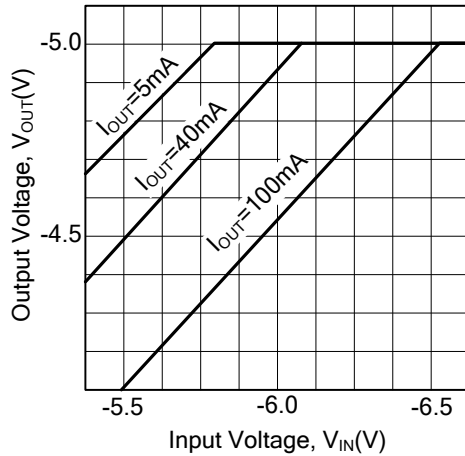


TYPICAL CHARACTERISTICS

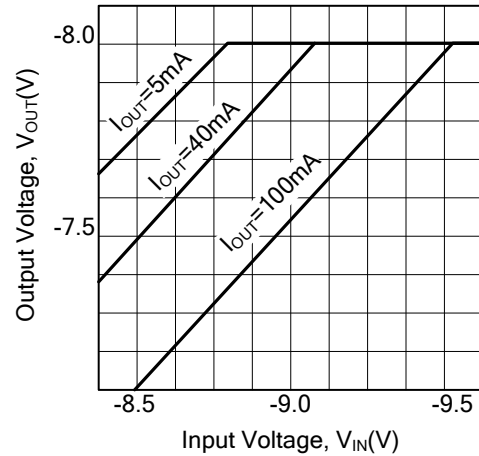


■ TYPICAL CHARACTERISTICS(Cont.)

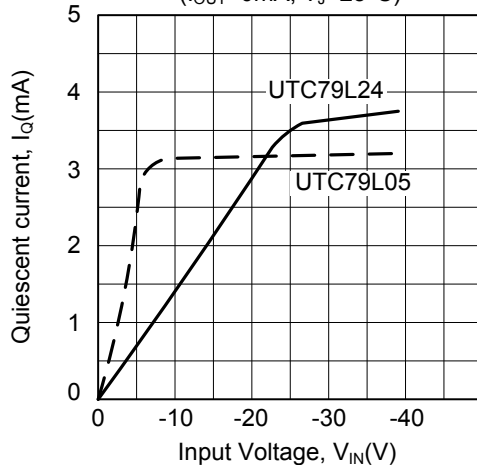
UTC79L05 Dropout Characteristics
($T_J=25^\circ\text{C}$)



UTC79L08 Dropout Characteristics
($T_J=25^\circ\text{C}$)



Current vs. Input Voltage
($I_{OUT}=0\text{mA}$, $T_J=25^\circ\text{C}$)



UTC assumes no responsibility for equipment failures that result from using products at values that exceed, even momentarily, rated values (such as maximum ratings, operating condition ranges, or other parameters) listed in products specifications of any and all UTC products described or contained herein. UTC products are not designed for use in life support appliances, devices or systems where malfunction of these products can be reasonably expected to result in personal injury. Reproduction in whole or in part is prohibited without the prior written consent of the copyright owner. The information presented in this document does not form part of any quotation or contract, is believed to be accurate and reliable and may be changed without notice.