



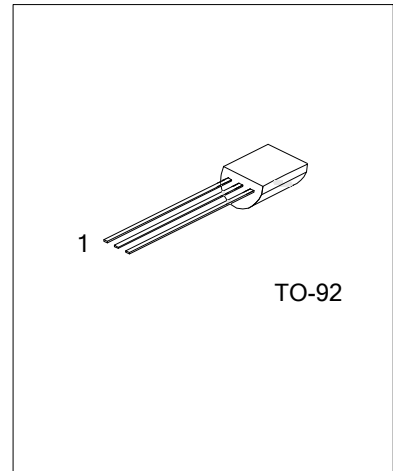
9014

NPN SILICON TRANSISTOR

PRE-AMPLIFIER, LOW LEVEL & LOW NOISE

FEATURES

- * High total power dissipation. (450mW)
- * Excellent h_{FE} linearity.
- * Complementary to UTC **9015**



ORDERING INFORMATION

Ordering Number		Package	Pin Assignment			Packing
Lead Free	Halogen Free		1	2	3	
9014L-x-T92-B	9014G-x-T92-B	TO-92	E	B	C	Tape Box
9014L-x-T92-K	9014G-x-T92-K	TO-92	E	B	C	Bulk

Note: Pin assignment: E: Emitter B: Base C: Collector

<p>9014L-x-T92-B</p> <ul style="list-style-type: none"> (1) Packing Type (2) Package Type (3) Rank (4) Lead Free 	<ul style="list-style-type: none"> (1) B: Tape Box, K: Bulk (2) T92: TO-92 (3) x: refer to Classification of h_{FE} (4) L: Lead Free, G: Halogen Free
--	--

MARKING INFORMATION

PACKAGE	MARKING
TO-92	<ul style="list-style-type: none"> Rank ← → L: Lead Free → G: Halogen Free → Data Code



■ ABSOLUTE MAXIMUM RATINGS ($T_A=25^\circ\text{C}$, unless otherwise specified)

PARAMETER	SYMBOL	RATINGS	UNIT
Collector-Base Voltage	V_{CBO}	50	V
Collector-Emitter Voltage	V_{CEO}	45	V
Emitter-Base Voltage	V_{EBO}	5	V
Collector Current	I_C	100	mA
Collector Dissipation	P_C	450	mW
Junction Temperature	T_J	+150	$^\circ\text{C}$
Storage Temperature	T_{STG}	-55 ~ +150	$^\circ\text{C}$

Note: Absolute maximum ratings are those values beyond which the device could be permanently damaged. Absolute maximum ratings are stress ratings only and functional device operation is not implied.

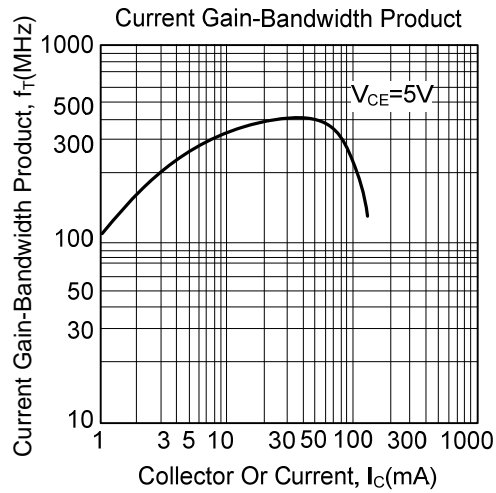
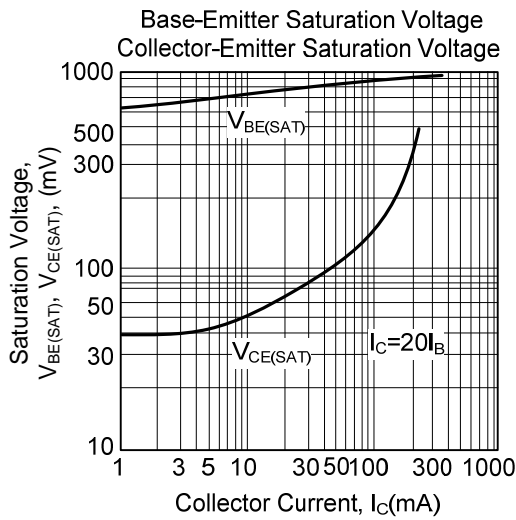
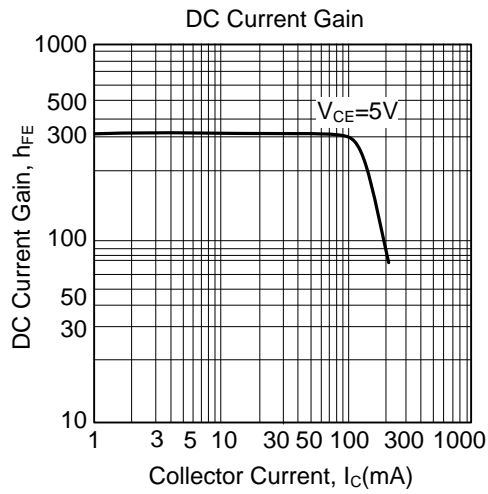
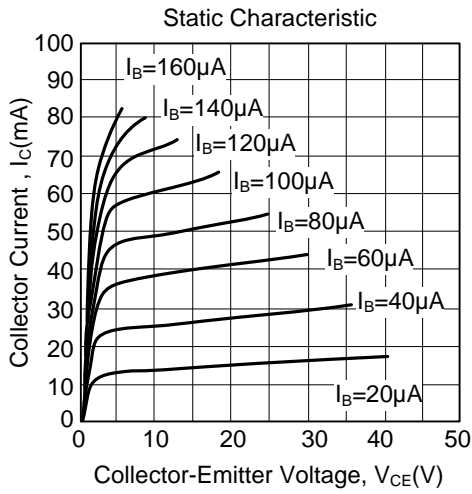
■ ELECTRICAL CHARACTERISTICS ($T_A=25^\circ\text{C}$, unless otherwise specified)

PARAMETER	SYMBOL	TEST CONDITIONS	MIN	TYP	MAX	UNIT
Collector-Base Breakdown Voltage	BV_{CBO}	$I_C=100\mu\text{A}$, $I_E=0$	50			V
Collector-Emitter Breakdown Voltage	BV_{CEO}	$I_C=1\text{mA}$, $I_B=0$	45			V
Emitter-Base Breakdown Voltage	BV_{EBO}	$I_E=100\mu\text{A}$, $I_C=0$	5			V
Collector Cut-Off Current	I_{CBO}	$V_{CB}=50\text{V}$, $I_E=0$			50	nA
Emitter Cut-Off Current	I_{EBO}	$V_{EB}=5\text{V}$, $I_C=0$			100	nA
DC Current Gain	h_{FE}	$V_{CE}=5\text{V}$, $I_C=1\text{mA}$	60	280	1000	
Collector-Emitter saturation voltage	$V_{CE(SAT)}$	$I_C=100\text{mA}$, $I_B=5\text{mA}$		0.14	0.3	V
Base-Emitter saturation voltage	$V_{BE(SAT)}$	$I_C=100\text{mA}$, $I_B=5\text{mA}$		0.84	1.0	V
Base-Emitter on voltage	$V_{BE(ON)}$	$V_{CE}=5\text{V}$, $I_C=2\text{mA}$	0.58	0.63	0.7	V
Output Capacitance	C_{ob}	$V_{CB}=10\text{V}$, $I_E=0$, $f=1\text{MHz}$		2.2	3.5	pF
Current Gain-Bandwidth Product	f_T	$V_{CE}=5\text{V}$, $I_C=10\text{mA}$	150	270		MHz
Noise Figure	NF	$V_{CE}=5\text{V}$, $I_C=0.2\text{mA}$ $f=1\text{KHz}$, $R_S=2\text{K}\Omega$		0.9	10	dB

■ CLASSIFICATION OF h_{FE}

RANK	A	B	C	D
RANGE	60-150	100-300	200-600	400-1000

■ TYPICAL CHARACTERISTICS



UTC assumes no responsibility for equipment failures that result from using products at values that exceed, even momentarily, rated values (such as maximum ratings, operating condition ranges, or other parameters) listed in products specifications of any and all UTC products described or contained herein. UTC products are not designed for use in life support appliances, devices or systems where malfunction of these products can be reasonably expected to result in personal injury. Reproduction in whole or in part is prohibited without the prior written consent of the copyright owner. The information presented in this document does not form part of any quotation or contract, is believed to be accurate and reliable and may be changed without notice.