



9N65-TD2

Power MOSFET

9A, 650V N-CHANNEL POWER MOSFET

DESCRIPTION

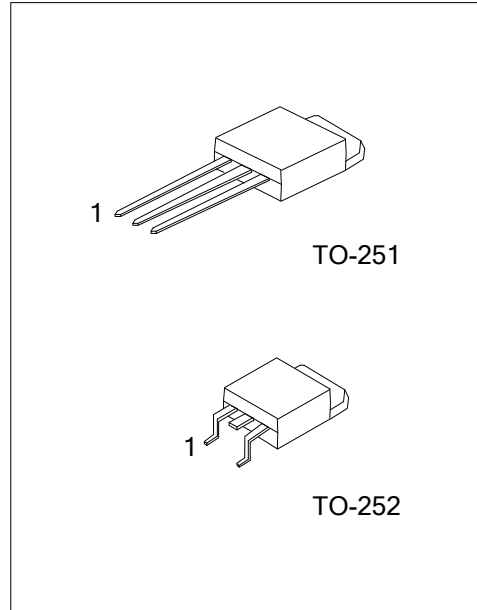
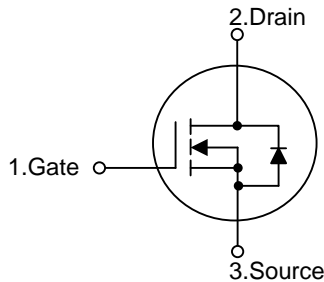
The UTC **9N65-TD2** is an N-channel mode power MOSFET using UTC's advanced technology to provide costumers with planar stripe and DMOS technology. This technology is specialized in allowing a minimum on-state resistance and superior switching performance. It also can withstand high energy pulse in the avalanche and commutation mode.

The UTC **9N65-TD2** is universally applied in active power factor correction and high efficient switched mode power supplies.

FEATURES

- * $R_{DS(ON)} \leq 1.12 \Omega @ V_{GS}=10V, I_D=4.5A$
- * High switching speed
- * Improved dv/dt capability

SYMBOL



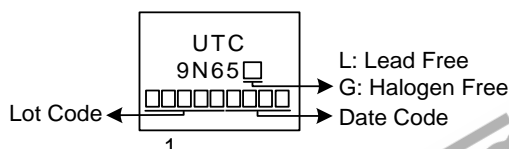
ORDERING INFORMATION

Ordering Number		Package	Pin Assignment			Packing
Lead Free	Halogen Free		1	2	3	
9N65L-TM3-T	9N65G-TM3-T	TO-251	G	D	S	Tube
9N65L-TN3-R	9N65G-TN3-R	TO-252	G	D	S	Tape Reel

Note: Pin Assignment: G: Gate D: Drain S: Source

	<p>(1) R: Tape Reel</p> <p>(2) TM3: TO-251, TN3: TO-252</p> <p>(3) G: Halogen Free and Lead Free, L: Lead Free</p>
--	--

MARKING



■ ABSOLUTE MAXIMUM RATINGS (T_C=25°C, unless otherwise specified)

PARAMETER	SYMBOL	RATINGS	UNIT
Drain to Source Voltage	V _{DSS}	650	V
Gate to Source Voltage	V _{GSS}	±30	V
Continuous Drain Current	Continuous	I _D	9
	Pulsed (Note 2)	I _{DM}	18
Avalanche Energy	Single Pulsed (Note 3)	E _{AS}	331
Peak Diode Recovery dv/dt (Note 3)	dv/dt	1.7	V/ns
Power Dissipation	P _D	55	W
Junction Temperature	T _J	+150	°C
Storage Temperature	T _{STG}	-55 ~ +150	°C

Notes: 1. Absolute maximum ratings are those values beyond which the device could be permanently damaged.

Absolute maximum ratings are stress ratings only and functional device operation is not implied.

2. Repetitive Rating : Pulse width limited by maximum junction temperature.
3. L = 30mH, I_{AS} = 4.7A, V_{DD} = 50V, R_G = 25 Ω, Starting T_J = 25°C
4. I_{SD} ≤ 9.0A, di/dt ≤ 200A/μs, V_{DD} ≤ BV_{DSS}, Starting T_J = 25°C.

■ THERMAL DATA

PARAMETER	SYMBOL	RATINGS	UNIT
Junction to Ambient	θ _{JA}	110	°C/W
Junction to Case	θ _{JC}	2.27 (Note)	°C/W

Note: Device mounted on FR-4 substrate PC board, 2oz copper, with 1inch square copper plate.

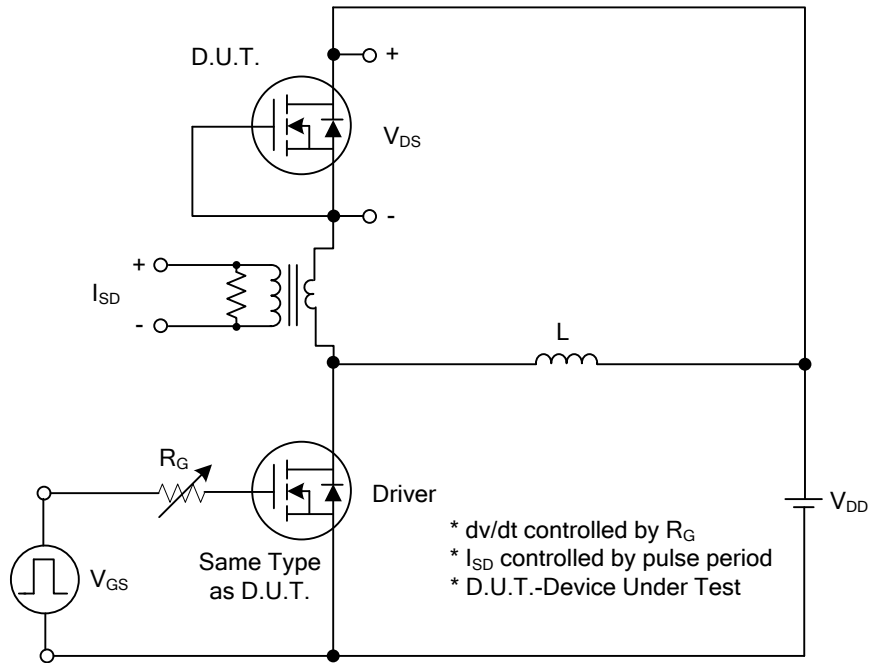
■ **ELECTRICAL CHARACTERISTICS** ($T_J = 25^\circ\text{C}$, unless otherwise specified)

PARAMETER	SYMBOL	TEST CONDITIONS	MIN	TYP	MAX	UNIT
OFF CHARACTERISTICS						
Drain-Source Breakdown Voltage	BV_{DSS}	$V_{GS}=0V, I_D=250\mu A$	650			V
Drain-Source Leakage Current	I_{DSS}	$V_{DS}=650V, V_{GS}=0V$			10	μA
Gate- Source Leakage Current	Forward	I_{GSS}			+100	nA
	Reverse				-100	nA
ON CHARACTERISTICS						
Gate Threshold Voltage	$V_{GS(TH)}$	$V_{DS}=V_{GS}, I_D=250\mu A$	2.0		4.0	V
Drain-Source On-State Resistance	$R_{DS(ON)}$	$V_{GS}=10V, I_D=4.5A$			1.12	Ω
DYNAMIC CHARACTERISTICS						
Input Capacitance	C_{ISS}	$V_{DS}=25V, V_{GS}=0V, f=1MHz$		1078		pF
Output Capacitance	C_{OSS}			113		pF
Reverse Transfer Capacitance	C_{RSS}			9.6		pF
DYNAMIC CHARACTERISTICS						
Total Gate Charge	Q_G	$V_{DS}=520V, V_{GS}=10V, I_D=9A$ $I_G=1mA$ (Note 1, 2)		25.5		nC
Gate-Source Charge	Q_{GS}			6		nC
Gate-Drain Charge	Q_{GD}			5		nC
Turn-on Delay Time (Note 1)	$t_{D(ON)}$	$V_{DS}=100V, V_{GS}=10V, I_D=9A,$ $R_G=25\Omega$ (Note 1, 2)		10		ns
Rise Time	t_R			18.3		ns
Turn-off Delay Time	$t_{D(OFF)}$			98		ns
Fall-Time	t_F			42.3		ns
SOURCE- DRAIN DIODE RATINGS AND CHARACTERISTICS						
Maximum Continuous Drain-Source Diode Forward Current	I_S				9	A
Maximum Pulsed Drain-Source Diode Forward Current	I_{SM}				18	A
Drain-Source Diode Forward Voltage (Note 1)	V_{SD}	$I_S=9A, V_{GS}=0V$			1.4	V
Body Diode Reverse Recovery Time (Note 1)	t_{rr}	$I_S=9A, V_{GS}=0V,$ $di_F/dt=100A/\mu s$		410		nS
Body Diode Reverse Recovery Charge	Q_{rr}			3.4		μC

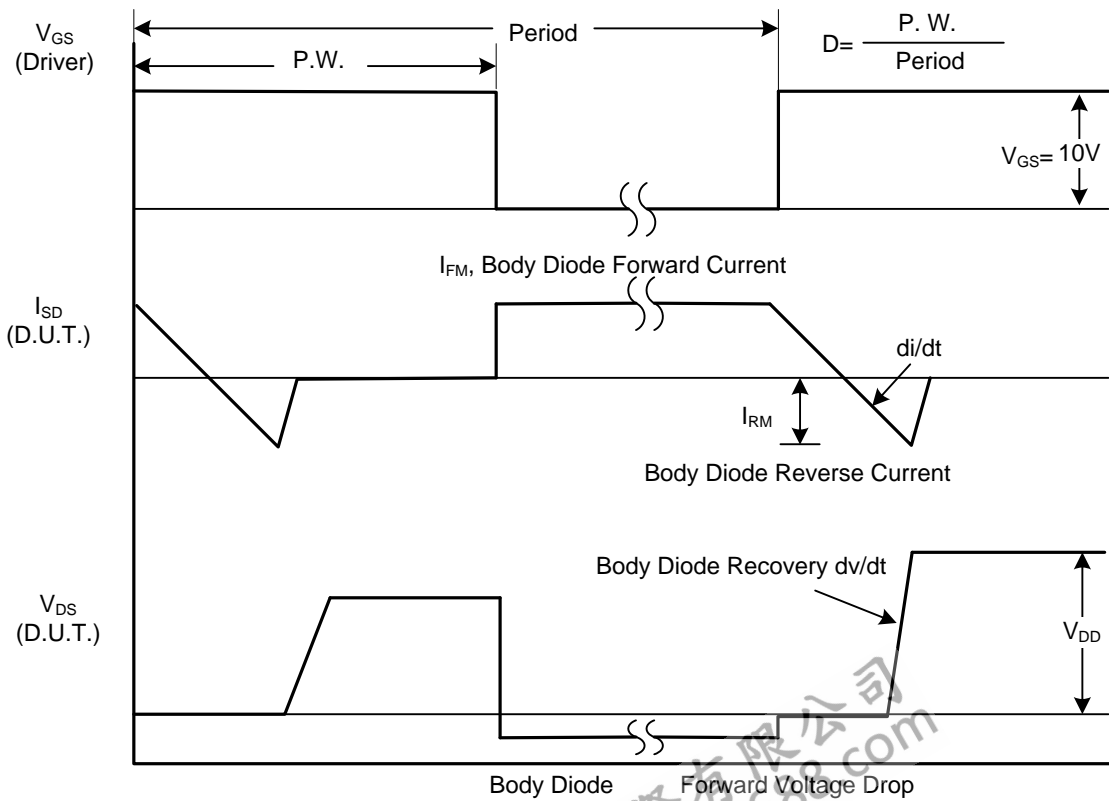
Notes: 1. Pulse Test : Pulse width $\leq 300\mu s$, Duty cycle $\leq 2\%$.

2. Essentially independent of operating temperature.

■ TEST CIRCUITS AND WAVEFORMS

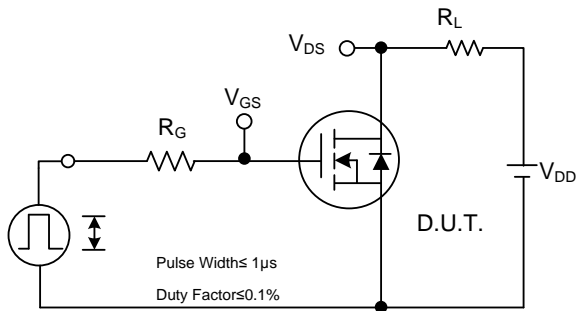


Peak Diode Recovery dv/dt Test Circuit

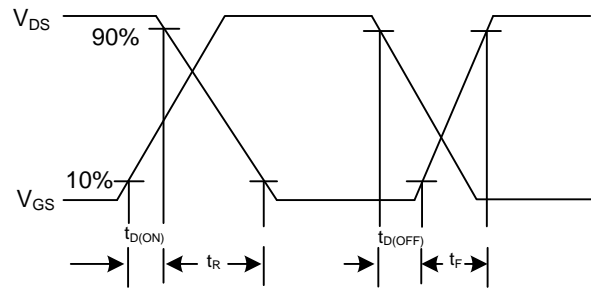


Peak Diode Recovery dv/dt Waveforms

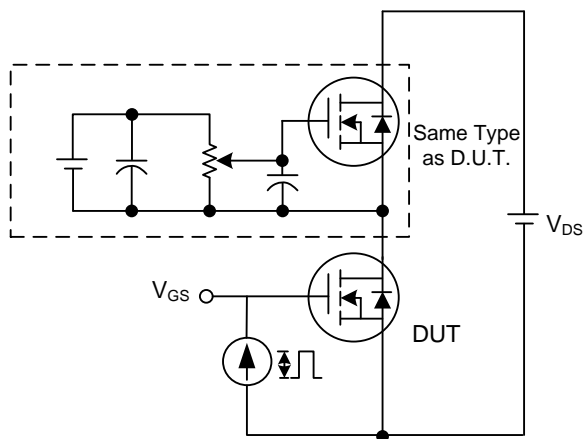
TEST CIRCUITS AND WAVEFORMS



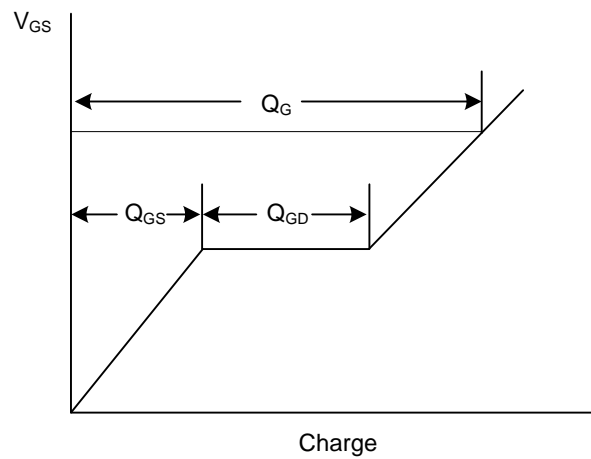
Switching Test Circuit



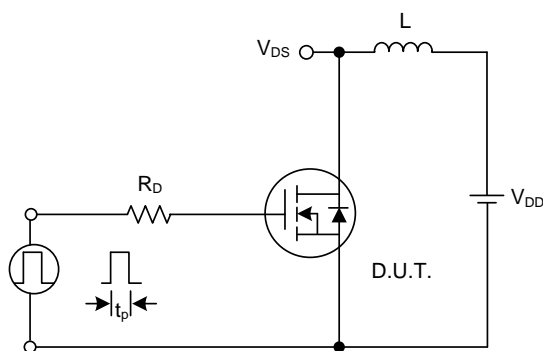
Switching Waveforms



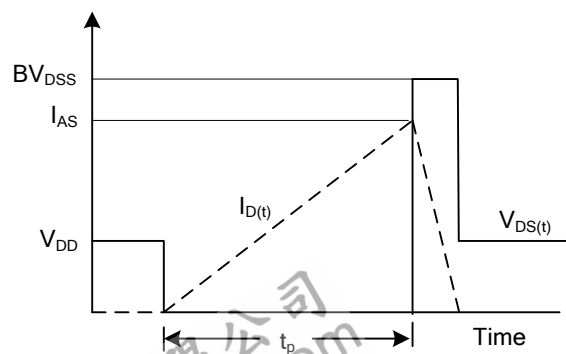
Gate Charge Test Circuit



Gate Charge Waveform

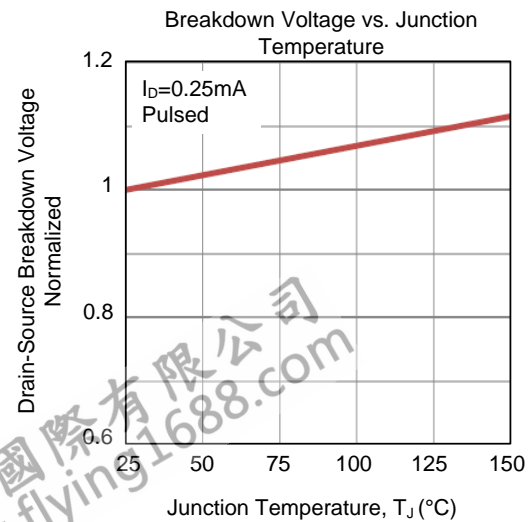
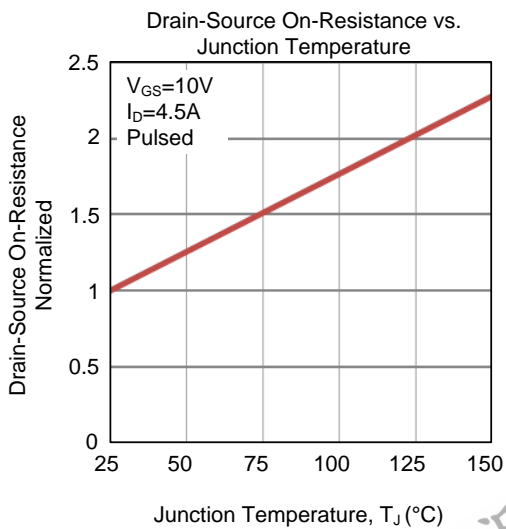
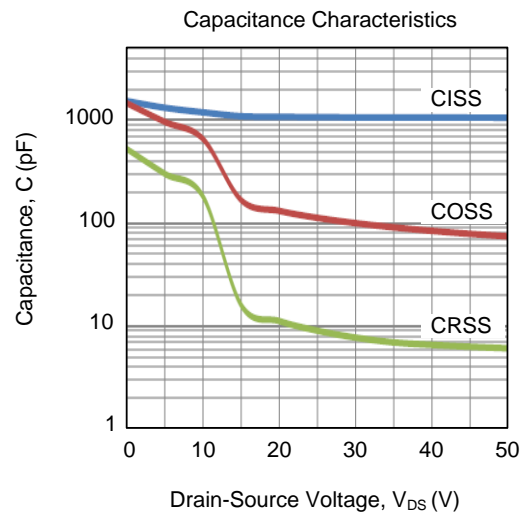
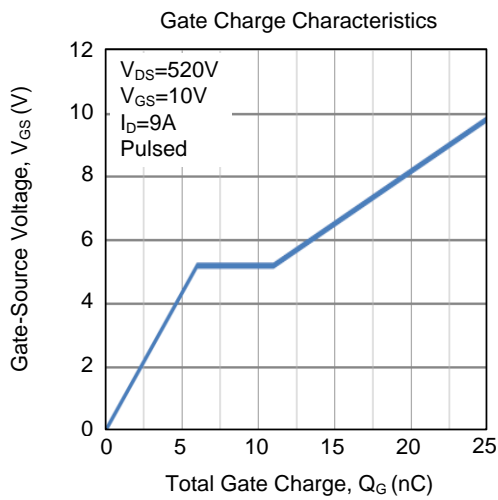
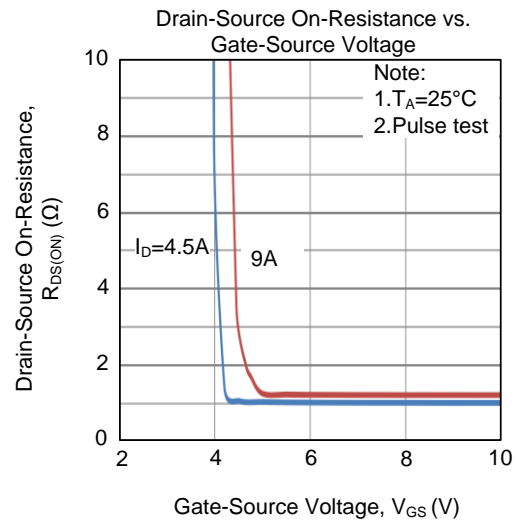
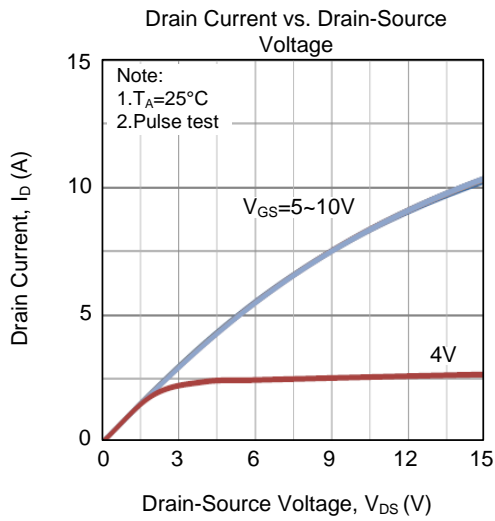


Unclamped Inductive Switching Test Circuit

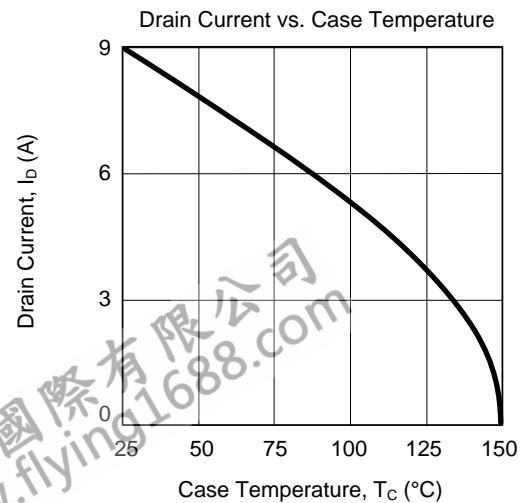
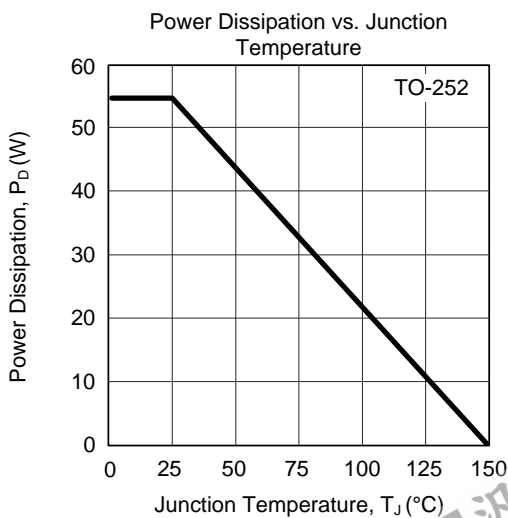
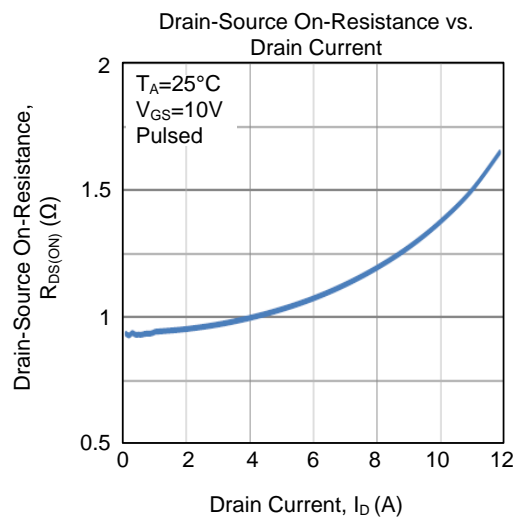
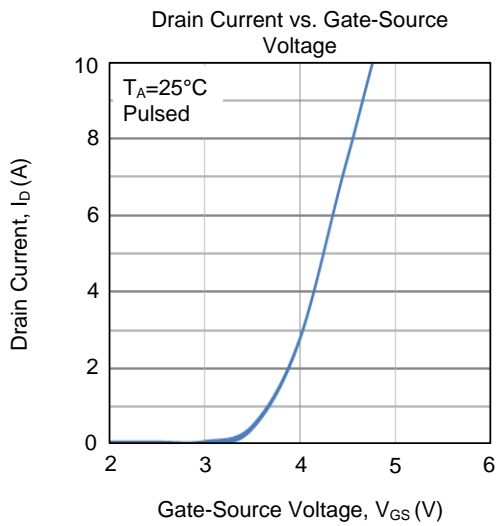
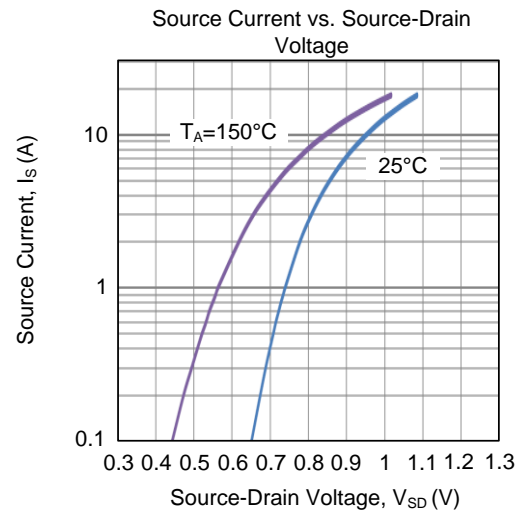
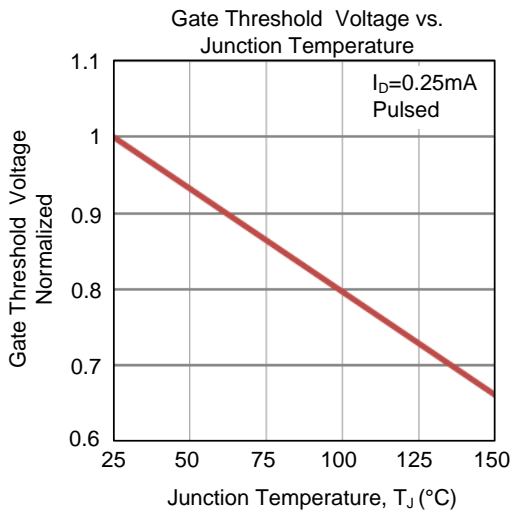


Unclamped Inductive Switching Waveforms

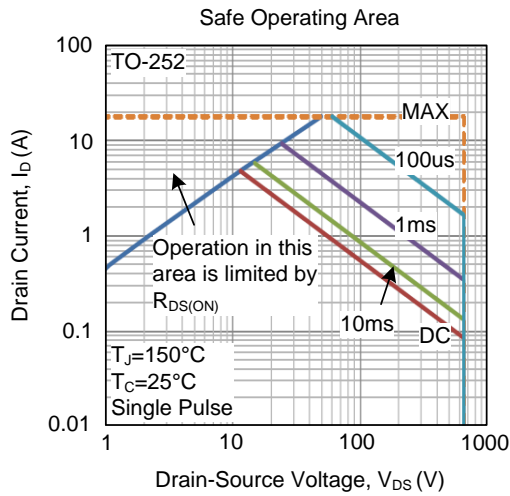
■ TYPICAL CHARACTERISTICS



■ TYPICAL CHARACTERISTICS (Cont.)



■ TYPICAL CHARACTERISTICS (Cont.)



UTC assumes no responsibility for equipment failures that result from using products at values that exceed, even momentarily, rated values (such as maximum ratings, operating condition ranges, or other parameters) listed in products specifications of any and all UTC products described or contained herein. UTC products are not designed for use in life support appliances, devices or systems where malfunction of these products can be reasonably expected to result in personal injury. Reproduction in whole or in part is prohibited without the prior written consent of the copyright owner. UTC reserves the right to make changes to information published in this document, including without limitation specifications and product descriptions, at any time and without notice. This document supersedes and replaces all information supplied prior to the publication hereof.