



9NM65-S

Power MOSFET

9.0A, 650V N-CHANNEL SUPER-JUNCTION MOSFET

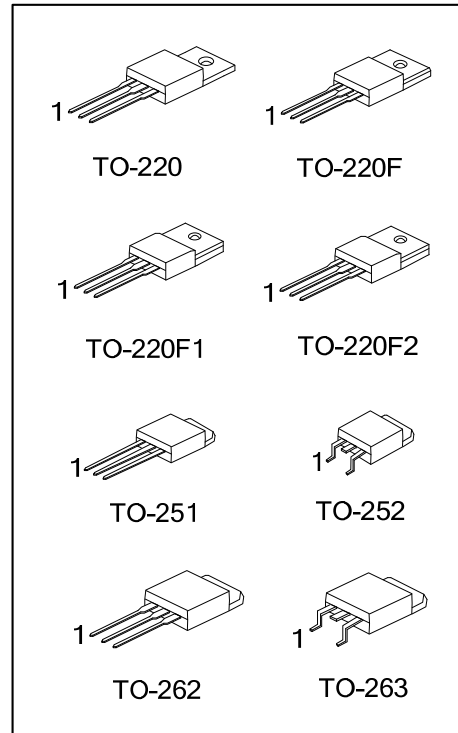
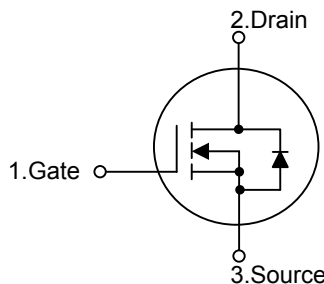
■ **DESCRIPTION**

The **UTC 9NM65-S** is a Super Junction MOSFET Structure and is designed to have better characteristics, such as fast switching time, low gate charge, low on-state resistance and a high rugged avalanche characteristics. This power MOSFET is usually used at DC-DC, AC-DC converters for power applications.

■ **FEATURES**

- * $R_{DS(ON)} < 0.64\Omega @ V_{GS}=10V, I_D=4.5A$
- * High switching Speed
- * 100% avalanche tested
- * Improved dv/dt capability

■ **SYMBOL**



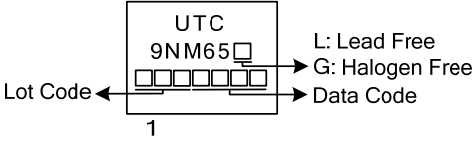
■ **ORDERING INFORMATION**

Ordering Number		Package	Pin Assignment			Packing
Lead Free	Halogen Free		1	2	3	
9NM65L-TA3-T	9NM65G-TA3-T	TO-220	G	D	S	Tube
9NM65L-TF1-T	9NM65G-TF1-T	TO-220F1	G	D	S	Tube
9NM65L-TF2-T	9NM65G-TF2-T	TO-220F2	G	D	S	Tube
9NM65L-TF3-T	9NM65G-TF3-T	TO-220F	G	D	S	Tube
9NM65L-TM3-T	9NM65G-TM3-T	TO-251	G	D	S	Tube
9NM65L-TN3-R	9NM65G-TN3-R	TO-252	G	D	S	Tape Reel
9NM65L-T2Q-T	9NM65G-T2Q-T	TO-262	G	D	S	Tube
9NM65L-TQ2-T	9NM65G-TQ2-T	TO-263	G	D	S	Tube
9NM65L-TQ2-R	9NM65G-TQ2-R	TO-263	G	D	S	Tape Reel

Note: Pin Assignment: G: Gate D: Drain S: Source

<p>9NM65G-TA3-T</p> <p>(1)Packing Type</p> <p>(2)Package Type</p> <p>(3)Green Package</p>	<p>(1) T: Tube, R: Tape Reel</p> <p>(2) TA3: TO-220, TF1: TO-220F1, TF2: TO-220F2 TF3: TO-220F, TM3: TO-251, TN3: TO-252 T2Q: TO-262, TQ2: TO-263</p> <p>(3) G: Halogen Free and Lead Free, L: Lead Free</p>
---	--

MARKING



FLYING 汎翔國際有限公司
www.flying1688.com

■ ABSOLUTE MAXIMUM RATINGS ($T_C=25^\circ\text{C}$, unless otherwise specified)

PARAMETER		SYMBOL	RATINGS	UNIT
Drain-Source Voltage		V_{DSS}	650	V
Gate-Source Voltage		V_{GSS}	± 30	V
Drain Current	Continuous	I_D	9	A
	Pulsed (Note 2)	I_{DM}	36	A
Avalanche Current		I_{AR}	2.2	A
Avalanche Energy	Single Pulsed (Note 3)	E_{AS}	380	mJ
Peak Diode Recovery dv/dt (Note 3)		dv/dt	5.5	V/ns
Power Dissipation	TO-220/TO-262 TO-263	P_D	150	W
	TO-220F/TO-220F1		44	W
	TO-220F2		49	W
	TO-251/TO-252		62	W
Junction Temperature		T_J	+150	$^\circ\text{C}$
Storage Temperature		T_{STG}	-55~+150	$^\circ\text{C}$

Notes: 1. Absolute maximum ratings are those values beyond which the device could be permanently damaged.

Absolute maximum ratings are stress ratings only and functional device operation is not implied.

2. Repetitive Rating: Pulse width limited by maximum junction temperature.

3. $L=157\text{mH}$, $I_{AS}=2.2\text{A}$, $V_{DD}=50\text{V}$, $R_G=25\Omega$, Starting $T_J=25^\circ\text{C}$

4. $I_{SD} \leq 9\text{A}$, $di/dt \leq 200\text{A}/\mu\text{s}$, $V_{DD} \leq BV_{DSS}$, Starting $T_J=25^\circ\text{C}$

■ THERMAL DATA

PARAMETER		SYMBOL	RATING	UNIT	
Junction to Ambient	TO-220/TO-220F TO-220F1/TO-220F2 TO-262/TO-263	θ_{JA}	62.5	$^\circ\text{C}/\text{W}$	
	TO-251/TO-252		110	$^\circ\text{C}/\text{W}$	
	Junction to Case		θ_{JC}	0.83	$^\circ\text{C}/\text{W}$
				2.84	$^\circ\text{C}/\text{W}$
2.55		$^\circ\text{C}/\text{W}$			
2.0		$^\circ\text{C}/\text{W}$			

FLYING 汎翔國際有限公司
www.flying1688.com

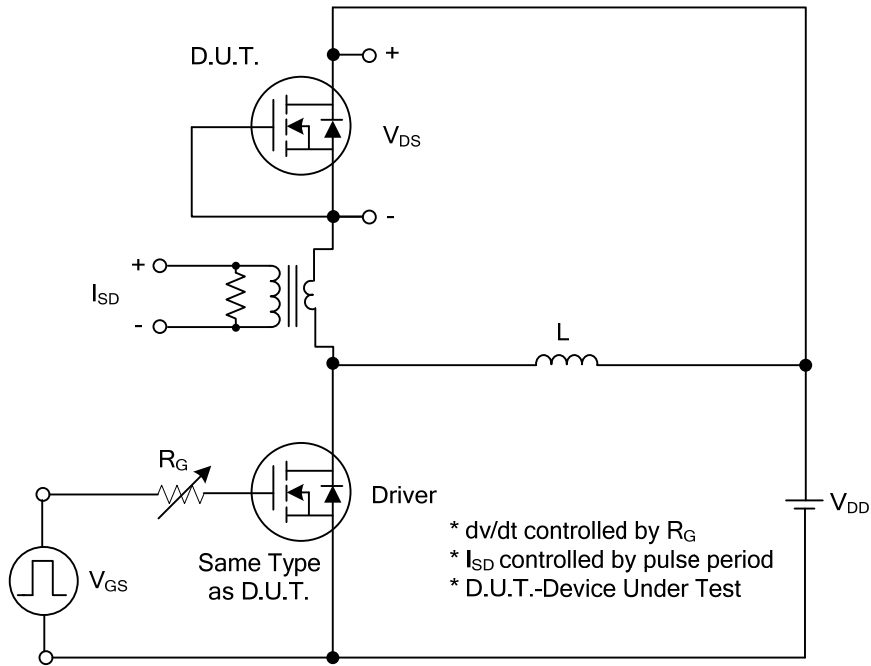
■ ELECTRICAL CHARACTERISTICS ($T_J=25^\circ\text{C}$, unless otherwise specified)

PARAMETER	SYMBOL	TEST CONDITIONS	MIN	TYP	MAX	UNIT
OFF CHARACTERISTICS						
Drain-Source Breakdown Voltage	BV_{DSS}	$I_D=250\mu\text{A}$, $V_{GS}=0\text{V}$	650			V
Drain-Source Leakage Current	I_{DSS}	$V_{DS}=650\text{V}$, $V_{GS}=0\text{V}$, $T_J=25^\circ\text{C}$			10	μA
Gate- Source Leakage Current	Forward	$V_{GS}=+30\text{V}$			+100	nA
	Reverse	$V_{GS}=-30\text{V}$			-100	nA
ON CHARACTERISTICS						
Gate Threshold Voltage	$V_{GS(TH)}$	$V_{DS}=V_{GS}$, $I_D=250\mu\text{A}$	2.5		4.5	V
Static Drain-Source On-State Resistance	$R_{DS(ON)}$	$V_{GS}=10\text{V}$, $I_D=4.5\text{A}$			0.64	Ω
DYNAMIC PARAMETERS						
Input Capacitance	C_{ISS}	$V_{GS}=0\text{V}$, $V_{DS}=25\text{V}$, $f=1.0\text{MHz}$		510		pF
Output Capacitance	C_{OSS}			350		pF
Reverse Transfer Capacitance	C_{RSS}			26		pF
SWITCHING PARAMETERS						
Total Gate Charge (Note 2)	Q_G	$V_{DS}=50\text{V}$, $V_{GS}=10\text{V}$, $I_D=1.3\text{A}$, $I_G=100\mu\text{A}$ (Note 1, 2)		39		nC
Gate to Source Charge	Q_{GS}			5		nC
Gate to Drain Charge	Q_{GD}			14		nC
Turn-ON Delay Time (Note 2)	$t_{D(ON)}$	$V_{DD}=30\text{V}$, $V_{GS}=10\text{V}$, $I_D=0.5\text{A}$, $R_G=25\Omega$ (Note 1, 2)		50		ns
Rise Time	t_R			47		ns
Turn-OFF Delay Time	$t_{D(OFF)}$			185		ns
Fall-Time	t_F			60		ns
SOURCE- DRAIN DIODE RATINGS AND CHARACTERISTICS						
Maximum Body-Diode Continuous Current	I_S				9	A
Maximum Body-Diode Pulsed Current (Note 1)	I_{SM}				36	A
Drain-Source Diode Forward Voltage (Note 2)	V_{SD}	$I_S=9.0\text{A}$, $V_{GS}=0\text{V}$			1.4	V
Reverse Recovery Time	t_{rr}	$I_S=9.0\text{A}$, $V_{GS}=0\text{V}$,		320		ns
Reverse Recovery Charge (Note 1)	Q_{rr}	$di_F/dt=100\text{A}/\mu\text{s}$		3.9		μC

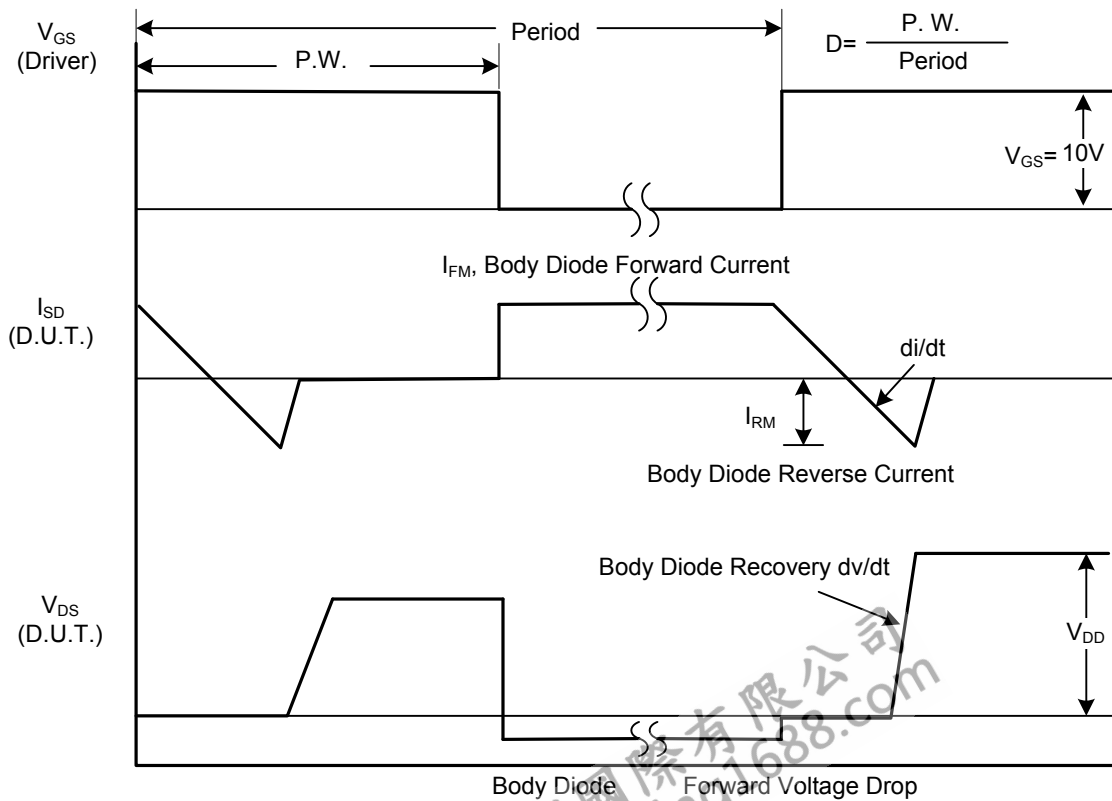
Notes: 1. Pulse Test: Pulse width $\leq 300\mu\text{s}$, Duty cycle $\leq 2\%$

2. Essentially independent of operating temperature

■ TEST CIRCUITS AND WAVEFORMS

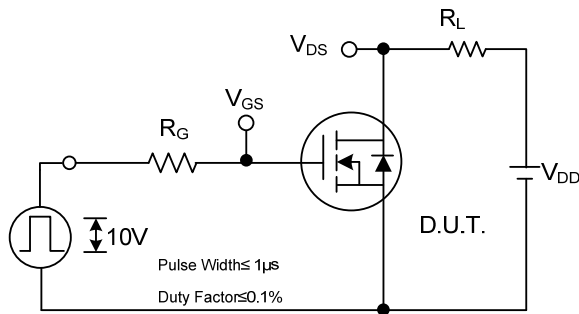


Peak Diode Recovery dv/dt Test Circuit

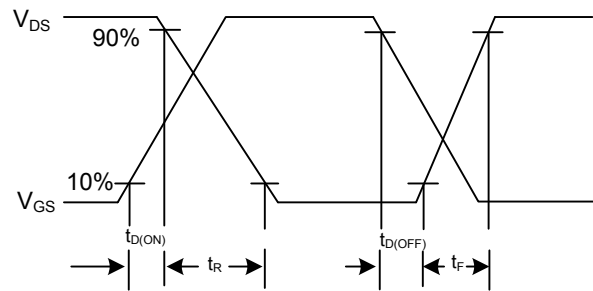


Peak Diode Recovery dv/dt Waveforms

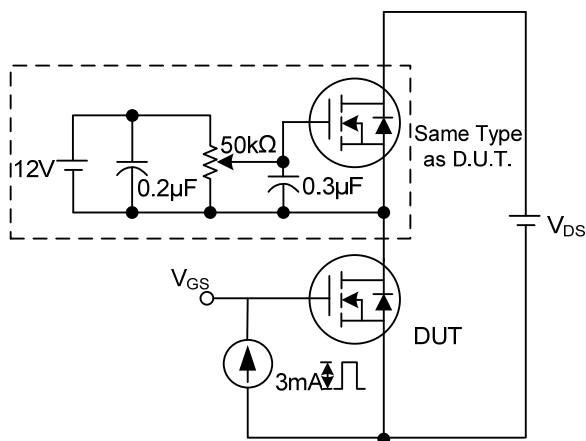
TEST CIRCUITS AND WAVEFORMS (Cont.)



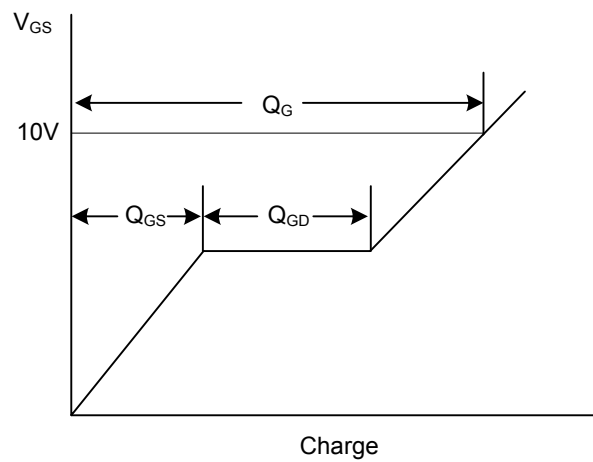
Switching Test Circuit



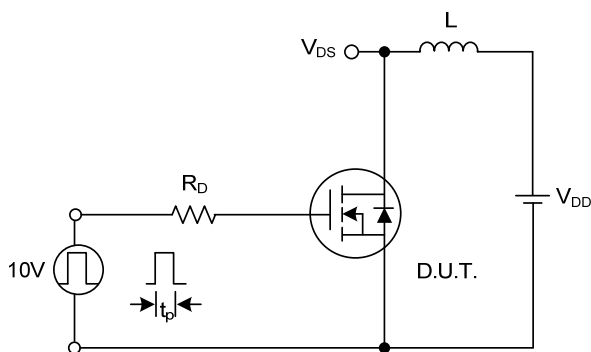
Switching Waveforms



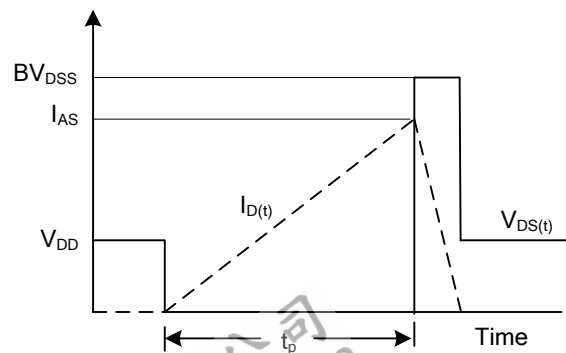
Gate Charge Test Circuit



Gate Charge Waveform

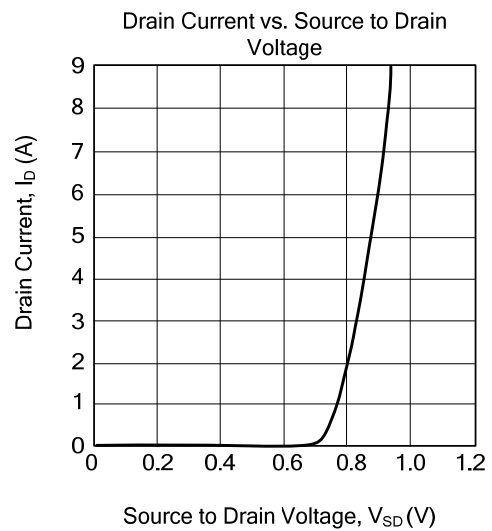
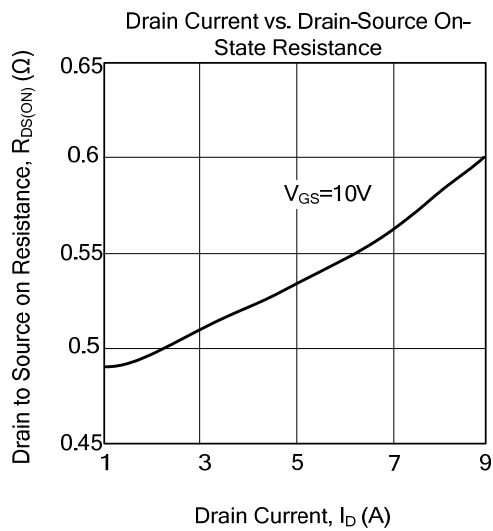
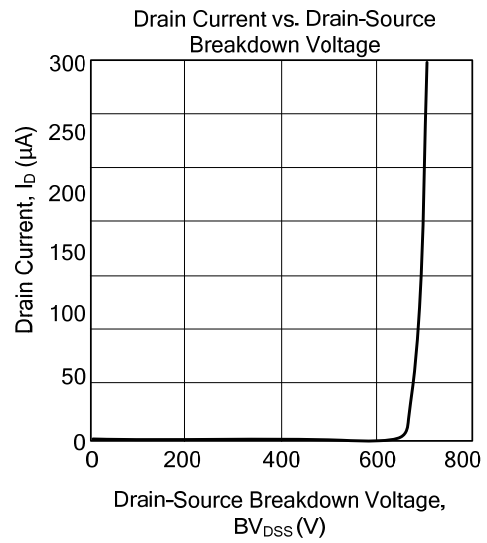
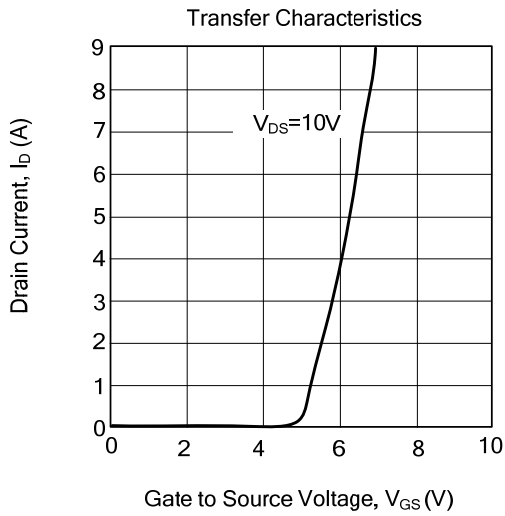


Unclamped Inductive Switching Test Circuit



Unclamped Inductive Switching Waveforms

TYPICAL CHARACTERISTICS



UTC assumes no responsibility for equipment failures that result from using products at values that exceed, even momentarily, rated values (such as maximum ratings, operating condition ranges, or other parameters) listed in products specifications of any and all UTC products described or contained herein. UTC products are not designed for use in life support appliances, devices or systems where malfunction of these products can be reasonably expected to result in personal injury. Reproduction in whole or in part is prohibited without the prior written consent of the copyright owner. The information presented in this document does not form part of any quotation or contract, is believed to be accurate and reliable and may be changed without notice.