



## CD4069

CMOS IC

### INVERTER CIRCUITS

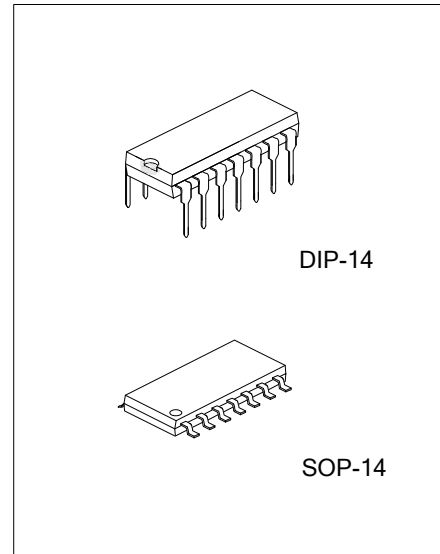
#### DESCRIPTION

The UTC **CD4069** consists of six inverter circuits and is manufactured using complementary MOS (CMOS) to achieve wide power supply operating range, low power consumption, high noise immunity, and symmetric controlled rise and fall times.

All inputs are protected from damage due to static discharge by diode clamps to VDD and VSS.

#### FEATURES

- \* Wide supply voltage range: 3.0V ~ 15V.
- \* High noise immunity: 0.45 V<sub>DD</sub> typ.
- \* Low Power TTL compatibility: Fan out of 2 driving 74L or 1 driving 74LS.



#### ORDERING INFORMATION

Ordering Number		Package	Packing
Lead Free	Halogen Free		
CD4069L-D14-T	CD4069G-D14-T	DIP-14	Tube
CD4069L-S14-R	CD4069G-S14-R	SOP-14	Tape Reel

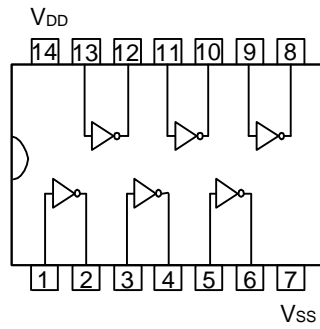
<p>CD4069G-D14-T</p> <p>(1) Packing Type (2) Package Type (3) Green Package</p>	<p>(1) T: Tube, R: Tape Reel (2) D14: DIP-14, S14: SOP-14 (3) G: Halogen Free and Lead Free, L: Lead Free</p>
---	---

#### MARKING

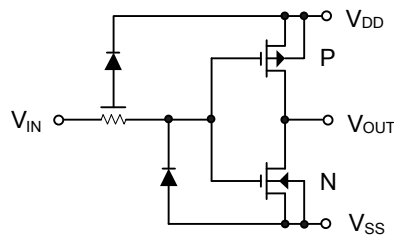
DIP-14	SOP-14
<p>14 13 12 11 10 9 8 → Date Code UTC □□□□ CD4069 □ □ □ → Lot Code 1 2 3 4 5 6 7</p> <p>L: Lead Free G: Halogen Free</p>	<p>14 13 12 11 10 9 8 → Date Code UTC □□□□ CD4069 □ □ □ → Lot Code 1 2 3 4 5 6 7</p> <p>L: Lead Free G: Halogen Free</p>



## ■ PIN CONFIGURATION



## ■ BLOCK DIAGRAM



FLYING 汎翔國際有限公司  
[www.flying1688.com](http://www.flying1688.com)

## ■ ABSOLUTE MAXIMUM RATINGS

PARAMETER	SYMBOL	RATINGS	UNIT
DC Supply Voltage	$V_{DD}$	-0.5 ~ +18	V
Input Voltage	$V_{IN}$	-0.5 ~ $V_{DD} + 0.5$	V
Storage Temperature Range	$T_S$	-65 ~ +150	°C
Power Dissipation	DIP-14	700	mW
	SOP-14	500	
Junction Temperature	$T_J$	+125	°C
Operating Temperature	$T_{OPR}$	-40 ~ +125	°C
Storage Temperature	$T_{STG}$	-40 ~ +150	°C

Note: Absolute maximum ratings are those values beyond which the device could be permanently damaged.

Absolute maximum ratings are stress ratings only and functional device operation is not implied.

## ■ RECOMMENDED OPERATING CONDITIONS ( $V_{SS}=0V$ )

PARAMETER	SYMBOL	RATINGS	UNIT
DC Supply Voltage	$V_{DD}$	3 ~ 15	V
Input Voltage	$V_{IN}$	0 ~ $V_{DD}$	V
Operating Temperature	$T_A$	-40 ~ 85	°C

## ■ DC ELECTRICAL CHARACTERISTICS ( $V_{SS}=0V$ , $T_A=25^\circ C$ , unless otherwise specified.)

PARAMETER	SYMBOL	CONDITIONS	MIN	TYP	MAX	UNIT	
Quiescent Device Current	$I_{DD}$	$V_{DD}=5V$ , $V_{IN}=V_{DD}$ or $V_{SS}$			1.0	$\mu A$	
		$V_{DD}=10V$ , $V_{IN}=V_{DD}$ or $V_{SS}$			2.0	$\mu A$	
		$V_{DD}=15V$ , $V_{IN}=V_{DD}$ or $V_{SS}$			4.0	$\mu A$	
Low Level Output Voltage	$V_{OL}$	$ I_O  < 1\mu A$	$V_{DD}=5V$		0	0.05	V
			$V_{DD}=10V$		0	0.05	V
			$V_{DD}=15V$		0	0.05	V
High Level Output Voltage	$V_{OH}$	$ I_O  < 1\mu A$	$V_{DD}=5V$	4.95			V
			$V_{DD}=10V$	9.95			V
			$V_{DD}=15V$	14.95			V
Low Level Input Voltage	$V_{IL}$	$ I_O  < 1\mu A$	$V_{DD}=5V$ , $V_O=4.5V$			1.0	V
			$V_{DD}=10V$ , $V_O=9V$			2.0	V
			$V_{DD}=15V$ , $V_O=13.5V$			3.0	V
High Level Input Voltage	$V_{IH}$	$ I_O  < 1\mu A$	$V_{DD}=5V$ , $V_O=0.5V$	4.0			V
			$V_{DD}=10V$ , $V_O=1V$	8.0			V
			$V_{DD}=15V$ , $V_O=1.5V$	12.0			V
Low Level Output Current (Note 2)	$I_{OL}$	$V_{DD}=5V$ , $V_{OL}=0.4V$	0.44	0.88		mA	
		$V_{DD}=10V$ , $V_{OL}=0.5V$	1.1	2.25		mA	
		$V_{DD}=15V$ , $V_{OL}=1.5V$	3.0	8.8		mA	
High Level Output Current (Note 2)	$I_{OH}$	$V_{DD}=5V$ , $V_{OH}=4.6V$	-0.44	-0.88		mA	
		$V_{DD}=10V$ , $V_{OH}=9.5V$	-1.1	-2.25		mA	
		$V_{DD}=15V$ , $V_{OH}=13.5V$	-3.0	-8.8		mA	
Input Current	$I_{IN}$	$V_{DD}=15V$ , $V_{IN}=0V$		$-10^{-5}$	-0.30	$\mu A$	
		$V_{DD}=15V$ , $V_{IN}=15V$		$10^{-5}$	0.30	$\mu A$	

### ■ AC ELECTRICAL CHARACTERISTICS (Note 1)

( $T_A=25^\circ\text{C}$ ,  $C_L=50\text{pF}$ ,  $R_L=200\text{k}\Omega$ ,  $t_R$  and  $t_F \leq 20$  ns, unless otherwise specified)

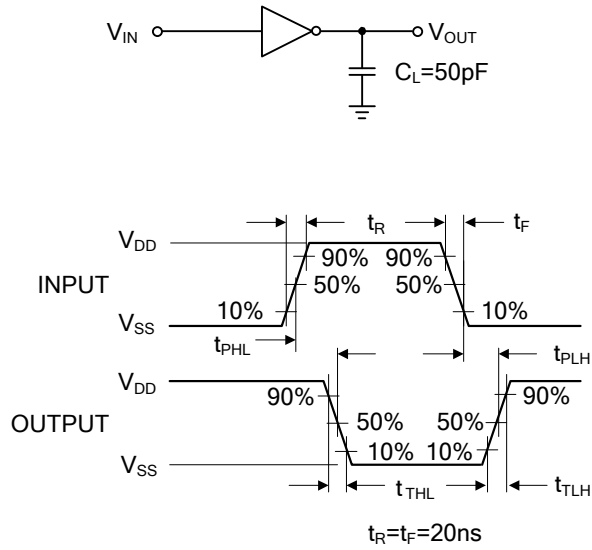
PARAMETER	SYMBOL	CONDITIONS	MIN	TYP	MAX	UNIT
Propagation Delay Time from Input to Output	$t_{PHL}$ or $t_{PLH}$	$V_{DD}=5\text{V}$		50	90	ns
		$V_{DD}=10\text{V}$		30	60	ns
		$V_{DD}=15\text{V}$		25	50	ns
Transition Time	$t_{THL}$ or $t_{TLH}$	$V_{DD}=5\text{V}$		80	150	ns
		$V_{DD}=10\text{V}$		50	100	ns
		$V_{DD}=15\text{V}$		40	80	ns
Average Input Capacitance	$C_{IN}$	Any Gate		6	15	pF
Power Dissipation Capacitance	$C_{PD}$	Any Gate (Note 3)		12		pF

Notes: 1. AC Parameters are guaranteed by DC correlated testing.

2.  $I_{OH}$  and  $I_{OL}$  are tested one output at a time.

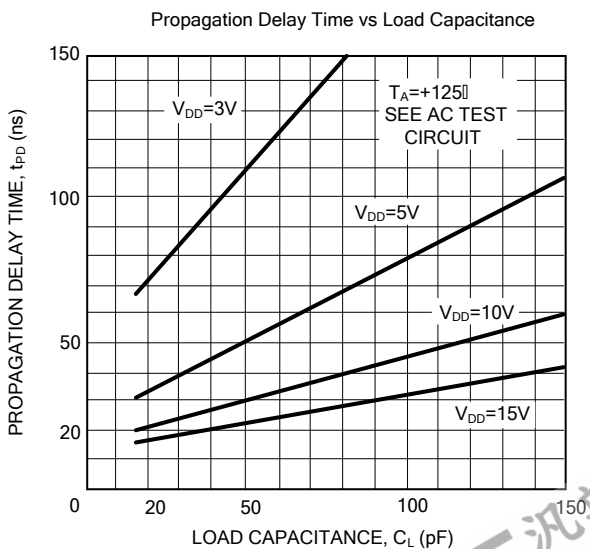
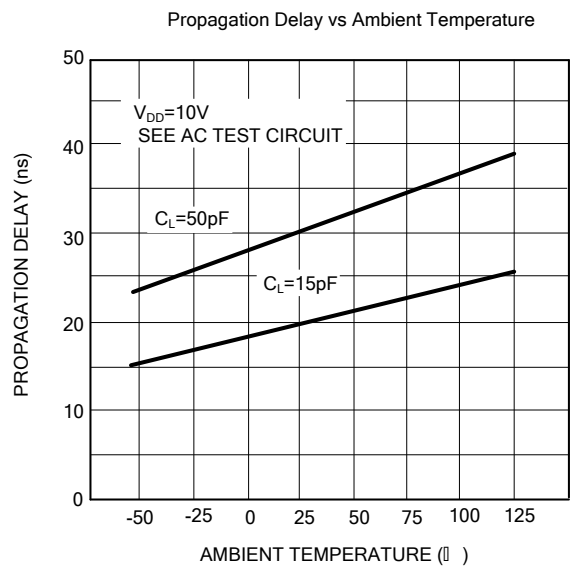
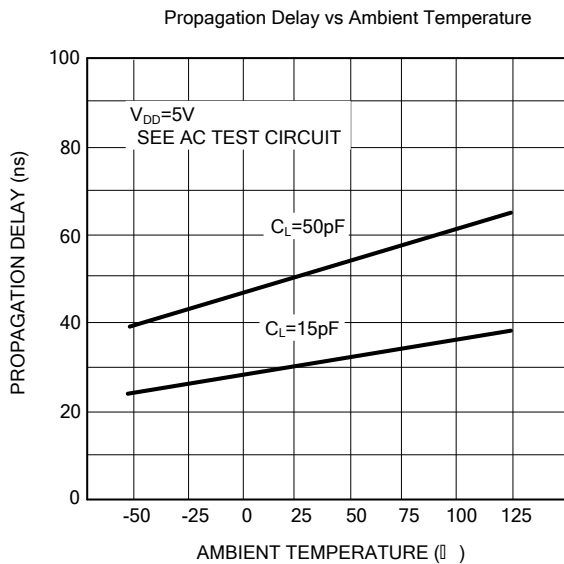
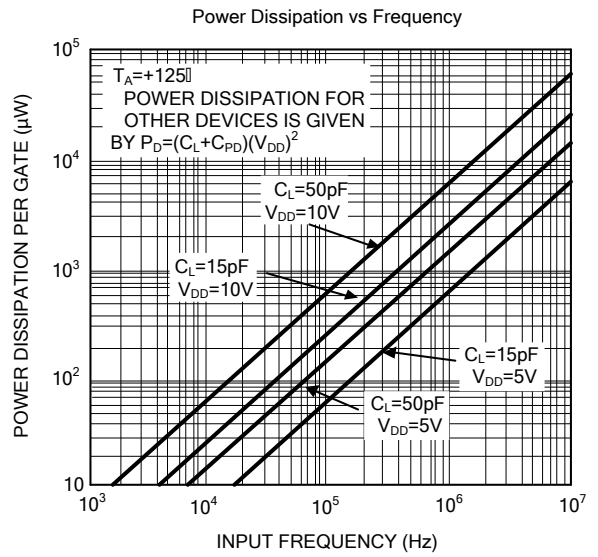
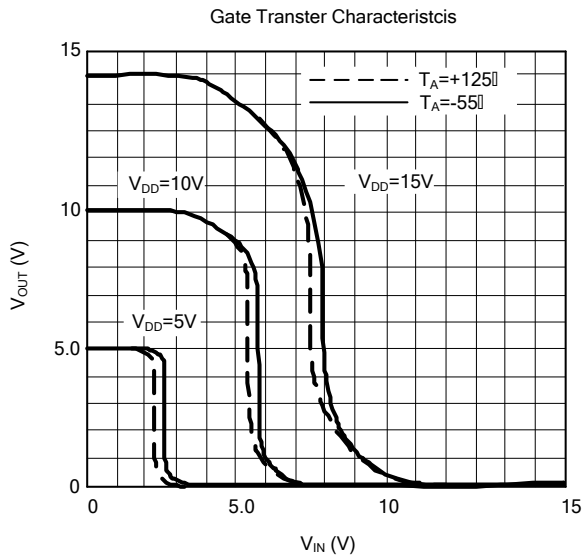
3.  $C_{PD}$  determines the no load AC power consumption of any CMOS device.

■ AC TEST CIRCUITS AND SWITCHING TIME WAVEFORMS



FLYING 汎翔國際有限公司  
[www.flying1688.com](http://www.flying1688.com)

## TYPICAL PERFORMANCE CHARACTERISTICS



UTC assumes no responsibility for equipment failures that result from using products at values that exceed, even momentarily, rated values (such as maximum ratings, operating condition ranges, or other parameters) listed in products specifications of any and all UTC products described or contained herein. UTC products are not designed for use in life support appliances, devices or systems where malfunction of these products can be reasonably expected to result in personal injury. Reproduction in whole or in part is prohibited without the prior written consent of the copyright owner. UTC reserves the right to make changes to information published in this document, including without limitation specifications and product descriptions, at any time and without notice. This document supersedes and replaces all information supplied prior to the publication hereof.