



## DTC115E

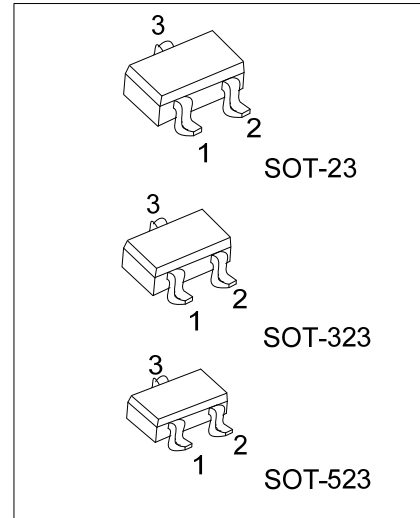
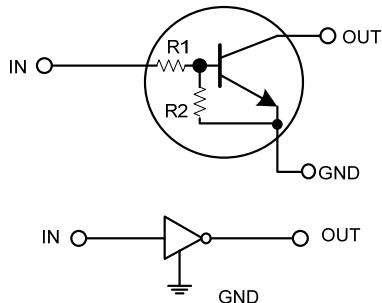
## NPN SILICON TRANSISTOR

### NPN DIGITAL TRANSISTOR (BUILT-IN BIAS RESISTORS)

#### FEATURES

- \* Built-in bias resistors that implies easy ON/OFF applications.
- \* The bias resistors are thin-film resistors with complete isolation to allow negative input.

#### EQUIVALENT CIRCUIT



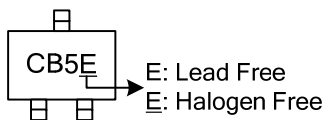
#### ORDERING INFORMATION

Ordering Number		Package	Pin Assignment			Packing
Lead Free	Halogen Free		1	2	3	
DTC115EL-AE3-R	DTC115EG-AE3-R	SOT-23	I	G	O	Tape Reel
DTC115EL-AL3-R	DTC115EG-AL3-R	SOT-323	I	G	O	Tape Reel
DTC115EL-AN3-R	DTC115EG-AN3-R	SOT-523	I	G	O	Tape Reel

Note: Pin Assignment: I: IN G: GND O: OUT

<p>DTC115EG-AE3-R</p>	<p>(1) R: Tape Reel</p> <p>(2) AE3: SOT-23, AL3: SOT-323, AN3: SOT-523</p> <p>(3) G: Halogen Free and Lead Free, L: Lead Free</p>
-----------------------	---

#### MARKING



# DTC115E

## NPN SILICON TRANSISTOR

■ ABSOLUTE MAXIMUM RATING ( $T_A=25^{\circ}\text{C}$ , unless otherwise specified)

PARAMETER		SYMBOL	RATINGS	UNIT
Supply Voltage		$V_{CC}$	50	V
Input Voltage		$V_{IN}$	-10 ~ +40	V
Output Current		$I_{OUT}$	20	mA
		$I_{OUT(MAX)}$	100	
Power Dissipation	SOT-23/SOT-323	$P_C$	200	mW
	SOT-523		150	mW
Junction Temperature		$T_J$	+150	$^{\circ}\text{C}$
Storage Temperature		$T_{STG}$	-55 ~ +150	$^{\circ}\text{C}$

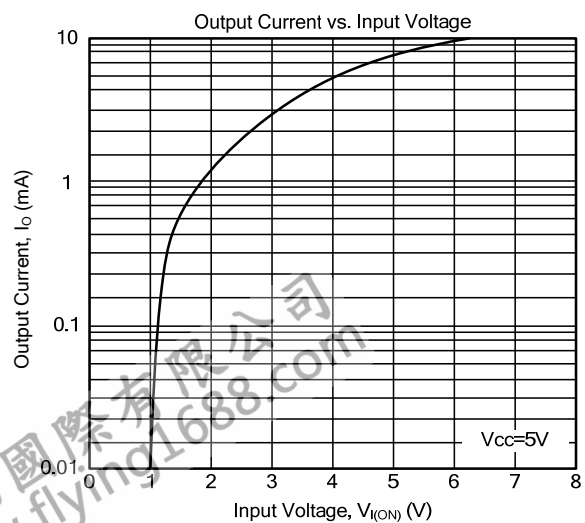
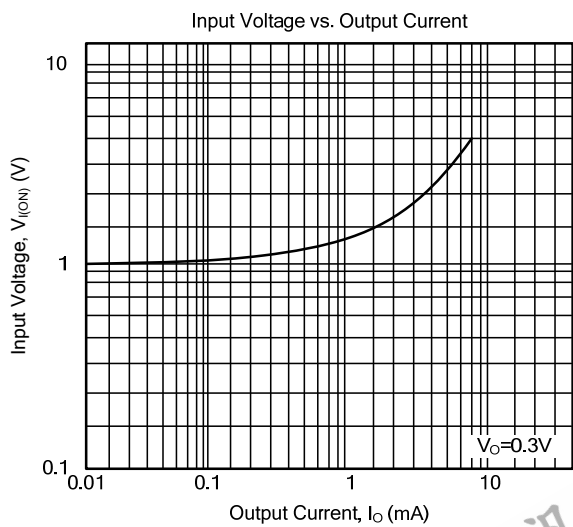
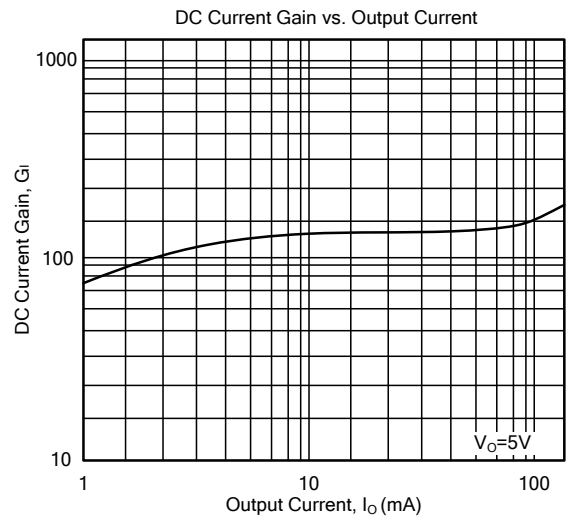
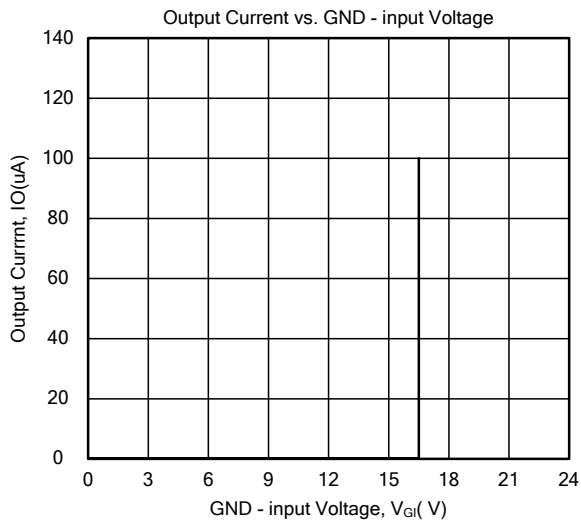
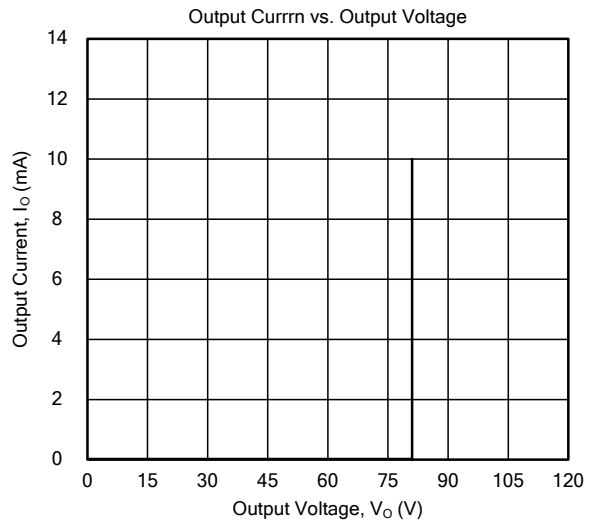
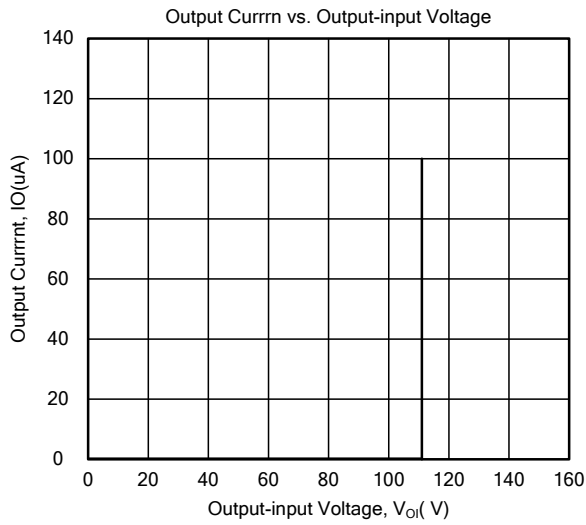
Note: Absolute maximum ratings are those values beyond which the device could be permanently damaged. Absolute maximum ratings are stress ratings only and functional device operation is not implied.

■ ELECTRICAL CHARACTERISTICS ( $T_A=25^{\circ}\text{C}$ , unless otherwise specified)

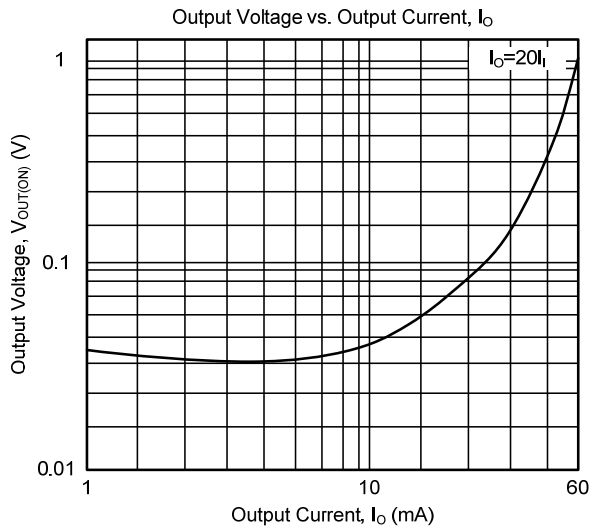
PARAMETER	SYMBOL	TEST CONDITIONS	MIN	TYP	MAX	UNIT
Input Voltage	$V_{I(OFF)}$	$V_{CC}=5V, I_{OUT}=100\mu A$			0.5	V
	$V_{I(ON)}$	$V_{OUT}=0.3V, I_{OUT}=1mA$	3			
Output Voltage	$V_{OUT(ON)}$	$I_{OUT}=5mA, I_{IN}=0.25mA$		0.1	0.3	V
Input Current	$I_{IN}$	$V_{IN}=5V$			0.15	mA
Output Current	$I_{O(OFF)}$	$V_{CC}=50V, V_{IN}=0V$			0.5	$\mu A$
DC Current Gain	$h_{FE}$	$V_{OUT}=5V, I_{OUT}=5mA$	82			
Input Resistance	R1		70	100	130	k $\Omega$
Resistance Ratio	R2/R1		0.8	1	1.2	
Transition Frequency	$f_T$	$V_{CE}=10V, I_E=-5mA, f=100MHz$ (Note)		250		MHz

Note: Transition frequency of the device.

### TYPICAL CHARACTERISTICS



■ TYPICAL CHARACTERISTICS (Cont.)



UTC assumes no responsibility for equipment failures that result from using products at values that exceed, even momentarily, rated values (such as maximum ratings, operating condition ranges, or other parameters) listed in products specifications of any and all UTC products described or contained herein. UTC products are not designed for use in life support appliances, devices or systems where malfunction of these products can be reasonably expected to result in personal injury. Reproduction in whole or in part is prohibited without the prior written consent of the copyright owner. UTC reserves the right to make changes to information published in this document, including without limitation specifications and product descriptions, at any time and without notice. This document supersedes and replaces all information supplied prior to the publication hereof.