

LL431

LINEAR INTEGRATED CIRCUIT

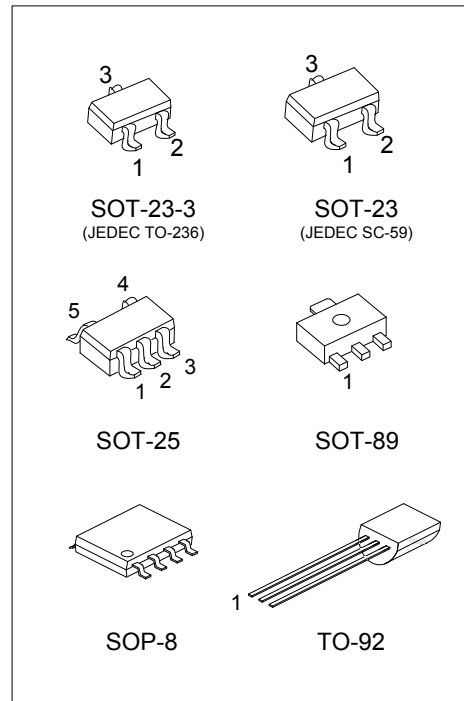
PROGRAMMABLE PRECISION REFERENCE

DESCRIPTION

The UTC **LL431** is a three-terminal adjustable regulator with a guaranteed thermal stability over applicable temperature ranges. The output voltage may be set to any value between V_{REF} (approximately 2.5V) and 36 V with two external resistors. It can be used in provides very wide applications including shunt regulator, series regulator, switching regulator, voltage reference and others.

FEATURES

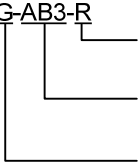
- *Programmable output Voltage to 36V.
- *Sink current capability of 1.0 to 100mA.
- *Equivalent full-range temperature coefficient of 50ppm/ °C typical for operation over full rated operating temperature range.



ORDERING INFORMATION

Ordering Number		Package	Pin Assignment								Packing
Lead Free	Halogen Free		1	2	3	4	5	6	7	8	
LL431K-AB3-R	LL431G-AB3-R	SOT-89	R	A	K	-	-	-	-	-	Tape Reel
LL431K-AE2-R	LL431G-AE2-R	SOT-23-3	R	K	A	-	-	-	-	-	Tape Reel
LL431NSL-AE2-R	LL431NSG-AE2-R	SOT-23-3	K	R	A	-	-	-	-	-	Tape Reel
LL431K-AE3-R	LL431G-AE3-R	SOT-23	R	K	A	-	-	-	-	-	Tape Reel
LL431NSK-AE3-R	LL431NSG-AE3-R	SOT-23	K	R	A	-	-	-	-	-	Tape Reel
LL431K-AF5-R	LL431G-AF5-R	SOT-25	X	X	K	R	A	-	-	-	Tape Reel
LL431K-S08-R	LL431G-S08-R	SOP-8	K	A	A	X	X	A	A	R	Tape Reel
LL431K-T92-B	LL431G-T92-B	TO-92	R	A	K	-	-	-	-	-	Tape Box
LL431K-T92-K	LL431G-T92-K	TO-92	R	A	K	-	-	-	-	-	Bulk
LL431K-T92-R	LL431G-T92-R	TO-92	R	A	K	-	-	-	-	-	Tape Reel

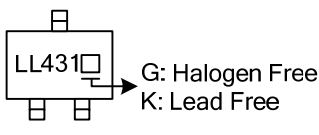
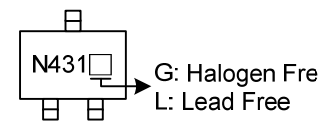
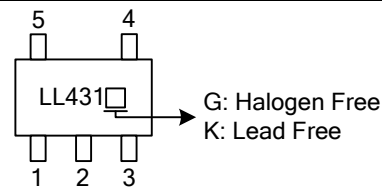
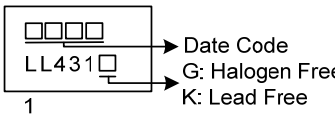
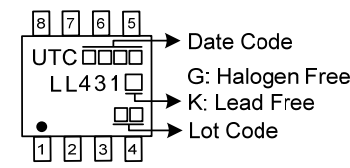
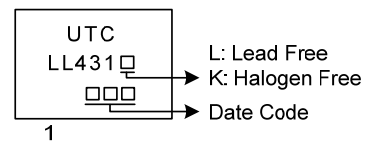
Note: Pin Code: R: Reference A: Anode K: Cathode X: No Connection

<p>LL431G-AB3-R</p>  <p>(1)Packing Type</p> <p>(2)Package Type</p> <p>(3)Green Package</p>	<p>(1) B: Tape Box, K: Bulk, R: Tape Reel</p> <p>(2) AB3: SOT-89, AE2: SOT-23-3, AE3: SOT-23, AF5: SOT-25, S08:SOP-8, T92: TO-92</p> <p>(3) G: Halogen Free, K: Lead Free</p> <p>G: Halogen Free, L: Lead Free Only for TL431NS Type</p>
---	--

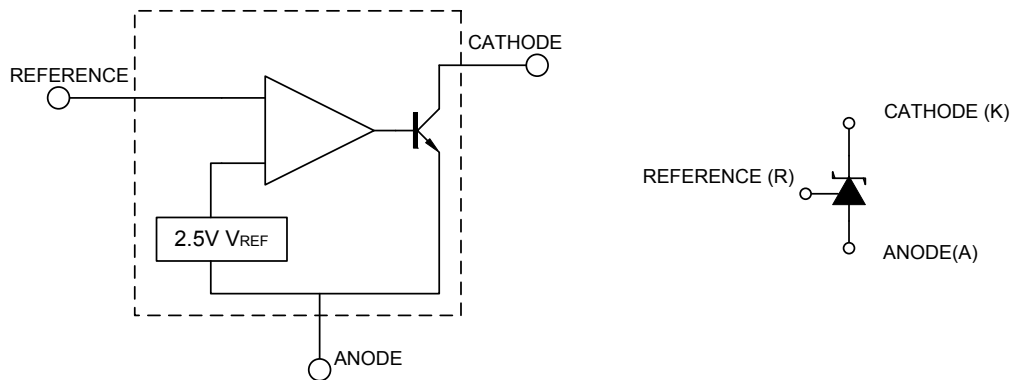
LL431

LINEAR INTEGRATED CIRCUIT

MARKING

SOT-23-3 / SOT-23 (LL431)	SOT-23-3 / SOT-23 (LL431NS)	SOT-25
 <p>LL431 → G: Halogen Free K: Lead Free</p>	 <p>N431 → G: Halogen Free L: Lead Free</p>	 <p>LL431 → G: Halogen Free K: Lead Free</p>
SOT-89	SOP-8	TO-92
 <p>LL431 → Date Code G: Halogen Free K: Lead Free</p>	 <p>UTC LL431 → Date Code G: Halogen Free K: Lead Free Lot Code</p>	 <p>UTC LL431 → L: Lead Free K: Halogen Free Date Code</p>

BLOCK DIAGRAM



■ ABSOLUTE MAXIMUM RATINGS (Operating temperature range applies unless otherwise specified)

PARAMETER		SYMBOL	RATINGS	UNIT
Cathode Voltage		V_{KA}	37	V
Cathode Current Range(Continuous)		I_{KA}	-100 ~ +150	mA
Reference Input Current		I_{REF}	-0.05 ~ +10	mA
Power Dissipation	SOT-89	P_D	500	mW
	SOT-23-3/SOT-23		300	mW
	SOT-25		600	mW
	SOP-8		770	mW
	TO-92			
Junction Temperature		T_J	+150	°C
Operating Temperature		T_{OPR}	-40 ~ +85	°C
Storage Temperature		T_{STG}	-65 ~ +150	°C

Note: Absolute maximum ratings are those values beyond which the device could be permanently damaged. Absolute maximum ratings are stress ratings only and functional device operation is not implied.

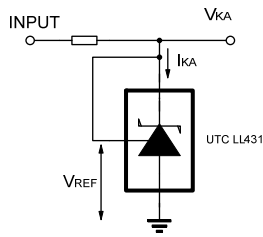
■ RECOMMENDED OPERATING CONDITIONS

PARAMETER	SYMBOL	RATINGS	UNIT
Cathode Voltage	V_{KA}	$V_{REF} \sim 36$	V
Cathode Current	I_{KA}	1 ~ 100	mA

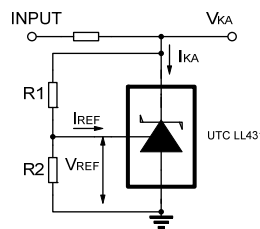
■ ELECTRICAL CHARACTERISTICS ($T_C = 25^\circ\text{C}$, unless otherwise specified.)

PARAMETER	SYMBOL	TEST CONDITIONS	MIN	TYP	MAX	UNIT	
Reference Input Voltage	V_{REF}	$V_{KA}=V_{REF}, I_{KA}=10\text{mA}$	LL431-A	2.483	2.495	2.507	V
			LL431-1	2.470	2.495	2.520	V
			LL431-2	2.520	-	2.545	V
			LL431-3	2.445	-	2.470	V
Deviation of reference Input Voltage Over temperature	$\Delta V_{REF}/\Delta T$	$V_{KA}=V_{REF}, I_{KA}=10\text{mA}$ $0^\circ\text{C} \leq T_A \leq 70^\circ\text{C}$		4.5	17	mV	
Ratio of Change in Reference Input Voltage to the Change in Cathode Voltage	$\Delta V_{REF}/\Delta V_{KA}$	$I_{KA}=10\text{mA}$ $\Delta V_{KA}=10\text{V} \sim V_{REF}$ $\Delta V_{KA}=36\text{V} \sim 10\text{V}$		-1.0 -0.5	-2.7 -2.0	mV/V	
Reference Input Current	I_{REF}	$I_{KA}=10\text{mA}, R1=10\text{k}\Omega, R2=\infty$		1.5	4	μA	
Deviation of Reference Input Current Over Full Temperature Range	$\Delta I_{REF}/\Delta T$	$I_{KA}=10\text{mA}, R1=10\text{k}\Omega, R2=\infty$ $T_A = \text{full Temperature}$		0.4	1.2	μA	
Minimum Cathode Current for Regulation	$I_{KA(MIN)}$	$V_{KA}=V_{REF}$			100	μA	
Off-State Cathode Current	$I_{KA(OFF)}$	$V_{KA}=36\text{V}, V_{REF}=0$		0.05	1.0	μA	
Dynamic Impedance	Z_{KA}	$V_{KA}=V_{REF}, I_{KA}=1 \text{ to } 100\text{mA}$ $f \leq 1.0\text{kHz}$		0.5		Ω	

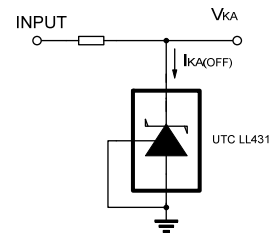
TEST CIRCUIT



For $V_{KA} = V_{REF}$

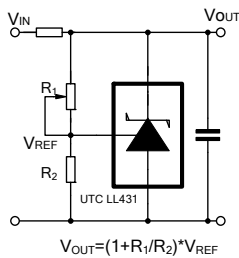


$V_{KA} = V_{REF}(1 + R_1/R_2) + I_{REF}R_1$
For $V_{KA} \cong V_{REF}$



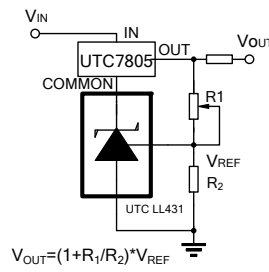
For $I_{KA(OFF)}$

APPLICATION CIRCUIT



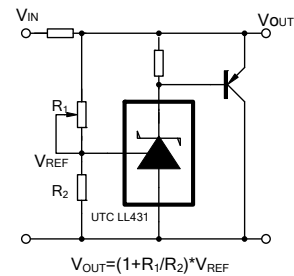
$$V_{OUT} = (1 + R_1/R_2) * V_{REF}$$

Shutdown Regulator



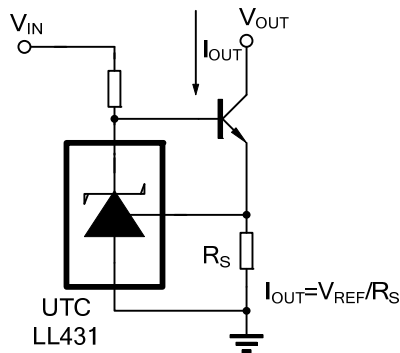
$$V_{OUT} = (1 + R_1/R_2) * V_{REF}$$

Output Control of a Three-Terminal Fixed Regulator



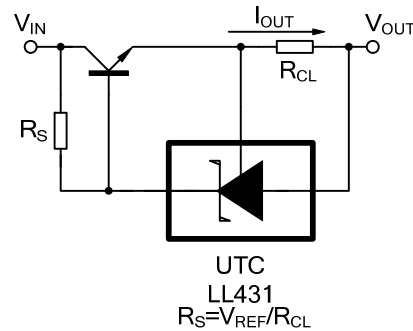
$$V_{OUT} = (1 + R_1/R_2) * V_{REF}$$

Higher-current Shunt Regulator



$$I_{OUT} = V_{REF}/R_S$$

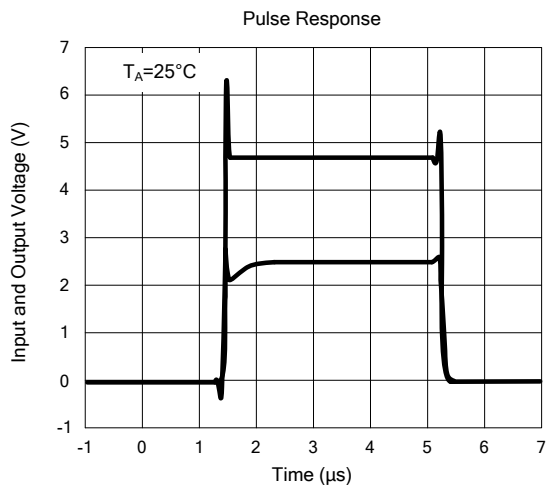
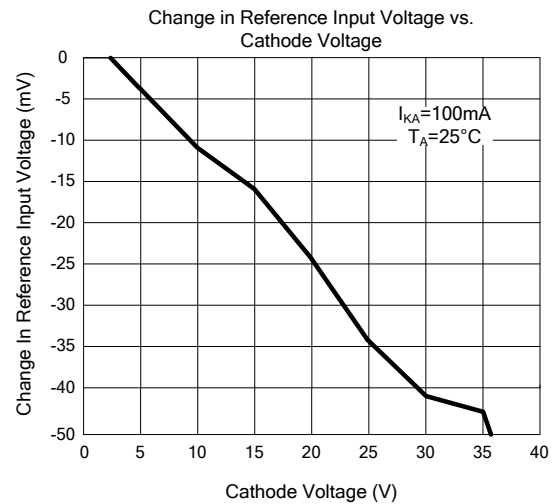
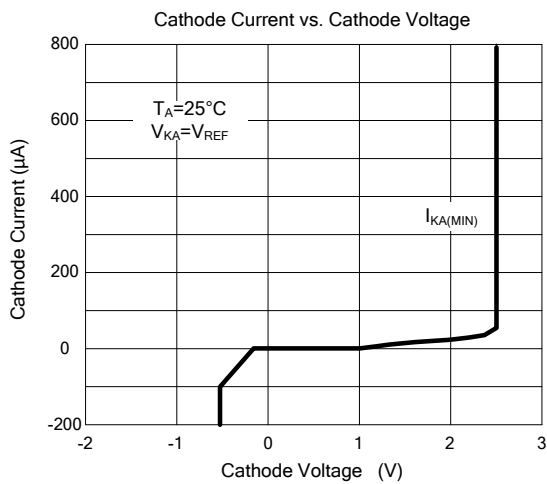
Constant-current Sink



$$R_S = V_{REF}/R_{CL}$$

Current Limiting or Current Source

■ TYPICAL CHARACTERISTICS



UTC assumes no responsibility for equipment failures that result from using products at values that exceed, even momentarily, rated values (such as maximum ratings, operating condition ranges, or other parameters) listed in products specifications of any and all UTC products described or contained herein. UTC products are not designed for use in life support appliances, devices or systems where malfunction of these products can be reasonably expected to result in personal injury. Reproduction in whole or in part is prohibited without the prior written consent of the copyright owner. UTC reserves the right to make changes to information published in this document, including without limitation specifications and product descriptions, at any time and without notice. This document supersedes and replaces all information supplied prior to the publication hereof.