



LM79XXA

LINEAR INTEGRATED CIRCUIT

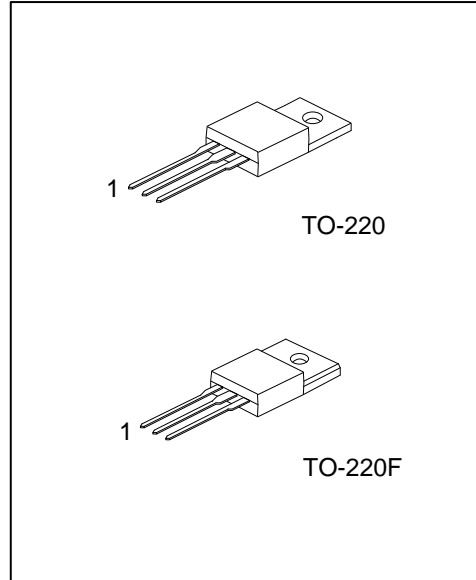
3 TERMINAL 1.5A NEGATIVE VOLTAGE REGULATOR

DESCRIPTION

The UTC LM79XXA series of three-terminal negative regulators is available several fixed output voltage, making them useful in a wide range of application. Each type employs internal current limiting, thermal shut-down and safe area protection, making it essentially indestructible.

FEATURES

- * Output Current Up to 1.5A
- * -5V, -7V, -12V, -15V Output Voltage Available
- * Thermal Overload Protection



ORDERING INFORMATION

Ordering Number		Package	Pin Assignment			Packing
Lead Free	Halogen Free		1	2	3	
LM79XXAL-TA3-T	LM79XXAG-TA3-T	TO-220	G	I	O	Tube
LM79XXAL-TF3-T	LM79XXAG-TF3-T	TO-220F	G	I	O	Tube

Note: O: Output I: Input G: GND

<p>LM79XXAG-TA3-T</p> <p>(1) Packing Type (2) Package Type (3) Lead Plating (4) Output Voltage Code</p>	<p>(1) T: Tube (2) TA3: TO-220, TF3: TO-220F (3) G: Halogen Free and Lead Free, L: Lead Free (4) xx: refer to Marking Information</p>
---	---



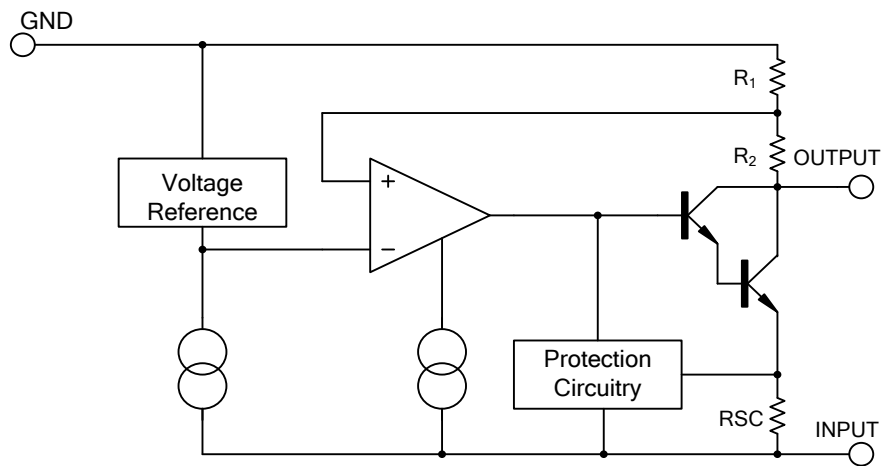
LM79XXA

LINEAR INTEGRATED CIRCUIT

MARKING INFORMATION

PACKAGE	VOLTAGE CODE	MARKING
TO-220 TO-220F	05: -5.0V 07: -7.0V 12: -12V 15: -15V	<p> UTC LM79□□A□ Voltage Code ← □□□□ → L: Lead Free Lot Code ← □□□□ → G: Halogen Free Date Code 1 </p>

BLOCK DIAGRAM



LM79XXA

LINEAR INTEGRATED CIRCUIT

■ ABSOLUTE MAXIMUM RATINGS (T_A=25°C, unless otherwise specified)

PARAMETER	SYMBOL	RATING	UNIT
Input Voltage	V _{IN}	-35	V
Output Current	I _{OUT}	1.5	A
Power Dissipation	P _D	Internally Limited	W
Operating Temperature	T _{OPR}	-40 ~ +85	°C
Storage Temperature	T _{STG}	-65 ~ +150	°C

Note: Absolute maximum ratings are those values beyond which the device could be permanently damaged.

Absolute maximum ratings are stress ratings only and functional device operation is not implied.

■ THERMAL DATA

PARAMETER	SYMBOL	RATING	UNIT
Junction to Ambient	θ _{JA}	65	°C/W

■ ELECTRICAL CHARACTERISTICS

(I_{OUT}=0.5A, T_J=0°C~125°C, C_I=2.2uF, C_O=1uF, unless otherwise specified)

For UTC LM7905A (V_{IN}=-10V)

PARAMETER	SYMBOL	TEST CONDITIONS	MIN	TYP	MAX	UNIT
Output Voltage	V _{OUT}	T _J =25°C	-4.80	-5.0	-5.20	V
		V _{IN} =-7V~-20V, I _{OUT} =5mA~1A, P _D ≤15W	-4.75		-5.25	V
Dropout Voltage	V _D	I _{OUT} =1.5A T _J =25°C		2		V
Line Regulation	ΔV _{OUT}	V _{IN} =-7V~-20V T _J =25°C		10	100	mV
		V _{IN} =-8V~-12V T _J =25°C		5	60	mV
Load Regulation	ΔV _{OUT}	I _{OUT} =5mA~1.5A T _J =25°C		10	100	mV
		I _{OUT} =250mA~750mA T _J =25°C		3	50	mV
Quiescent Current	I _Q	T _J =25°C		3	6	mA
Quiescent Current Change	ΔI _Q	I _{OUT} =5mA~1A		0.05	0.5	mA
		V _{IN} =-7V~-20V		0.1	1.3	mA
Output Noise Voltage	e _N	f=10Hz~100kHz T _A =25°C		100		μV
Output Voltage Drift	ΔV _{OUT} /ΔT	I _{OUT} =5mA		-0.4		mV/°C
Ripple Rejection	RR	V _{IN} =-8V~-18V, f=120Hz	54	60		dB
Peak Current	I _{PEAK}	T _J =25°C		2.2		A

■ ELECTRICAL CHARACTERISTICS (Cont.)

For UTC LM7907A ($V_{IN}=-13V$)

PARAMETER	SYMBOL	TEST CONDITIONS	MIN	TYP	MAX	UNIT
Output Voltage	V_{OUT}	$T_J=25^{\circ}C$	-6.72	-7.0	-7.28	V
		$V_{IN}=-9V\sim-22V$, $I_{OUT}=5mA\sim 1A$, $P_D \leq 15W$	-6.65		-7.35	V
Dropout Voltage	V_D	$I_{OUT}=1.5A$, $T_J=25^{\circ}C$		2		V
Line Regulation	ΔV_{OUT}	$V_{IN}=-9V\sim-25V$, $T_J=25^{\circ}C$		10	140	mV
		$V_{IN}=-10V\sim-15V$, $T_J=25^{\circ}C$		5	70	mV
Load Regulation	ΔV_{OUT}	$I_{OUT}=5mA\sim 1.5A$, $T_J=25^{\circ}C$		12	170	mV
		$I_{OUT}=250mA\sim 750mA$, $T_J=25^{\circ}C$		4	90	mV
Quiescent Current	I_Q	$T_J=25^{\circ}C$		3	6	mA
Quiescent Current Change	ΔI_Q	$I_{OUT}=5mA\sim 1A$		0.05	0.5	mA
		$V_{IN}=-9V\sim-25V$		0.1	1.0	mA
Output Noise Voltage	eN	$f=10Hz\sim 100kHz$, $T_A=25^{\circ}C$		175		μV
Output Voltage Drift	$\Delta V_{OUT}/\Delta T$	$I_{OUT}=5mA$		-0.6		$mV/^{\circ}C$
Ripple Rejection	RR	$V_{IN}=-10V\sim-20V$, $f=120Hz$	54	60		dB
Peak Current	I_{PEAK}	$T_J=25^{\circ}C$		2.2		A

For UTC LM7912A ($V_{IN}=-18V$)

PARAMETER	SYMBOL	TEST CONDITIONS	MIN	TYP	MAX	UNIT
Output Voltage	V_{OUT}	$T_J=25^{\circ}C$	-11.52	-12.0	-12.48	V
		$V_{IN}=-14.5V\sim-27V$, $I_{OUT}=5mA\sim 1A$, $P_D \leq 15W$	-11.40		-12.60	V
Dropout Voltage	V_D	$I_{OUT}=1.5A$, $T_J=25^{\circ}C$		2		V
Line Regulation	ΔV_{OUT}	$V_{IN}=-14.5V\sim-30V$, $T_J=25^{\circ}C$		12	240	mV
		$V_{IN}=-16V\sim-22V$, $T_J=25^{\circ}C$		6	120	mV
Load Regulation	ΔV_{OUT}	$I_{OUT}=5mA\sim 1.5A$, $T_J=25^{\circ}C$		12	240	mV
		$I_{OUT}=250mA\sim 750mA$, $T_J=25^{\circ}C$		4	120	mV
Quiescent Current	I_Q	$T_J=25^{\circ}C$		3	6	mA
Quiescent Current Change	ΔI_Q	$I_{OUT}=5mA\sim 1A$		0.05	0.5	mA
		$V_{IN}=-14.5V\sim-30V$		0.1	1.0	mA
Output Noise Voltage	eN	$f=10Hz\sim 100kHz$, $T_A=25^{\circ}C$		250		μV
Output Voltage Drift	$\Delta V_{OUT}/\Delta T$	$I_{OUT}=5mA$		-0.8		$mV/^{\circ}C$
Ripple Rejection	RR	$V_{IN}=-15V\sim-25V$, $f=120Hz$	54	60		dB
Peak Current	I_{PEAK}	$T_J=25^{\circ}C$		2.2		A

■ ELECTRICAL CHARACTERISTICS (Cont.)

For UTC LM7915A ($V_{IN}=-23V$)

PARAMETER	SYMBOL	TEST CONDITIONS	MIN	TYP	MAX	UNIT
Output Voltage	V_{OUT}	$T_J=25^{\circ}C$	-14.40	-15.0	-15.60	V
		$V_{IN}=-17.5V\sim-30V$ $I_{OUT}=5mA\sim 1A, P_D \leq 15W$	-14.25		-15.75	V
Dropout Voltage	V_D	$I_{OUT}=1.5A$ $T_J=25^{\circ}C$		2		V
Line Regulation	ΔV_{OUT}	$V_{IN}=-17.5V\sim-30V$ $T_J=25^{\circ}C$		12	300	mV
		$V_{IN}=-20V\sim-26V$ $T_J=25^{\circ}C$		6	150	mV
Load Regulation	ΔV_{OUT}	$I_{OUT}=5mA\sim 1.5A$ $T_J=25^{\circ}C$		12	300	mV
		$I_{OUT}=250mA\sim 750mA$ $T_J=25^{\circ}C$		4	150	mV
Quiescent Current	I_Q	$T_J=25^{\circ}C$		3	6	mA
Quiescent Current Change	ΔI_Q	$I_{OUT}=5mA\sim 1A$		0.05	0.5	mA
		$V_{IN}=-17.5V\sim-30.5V$		0.1	1.0	mA
Output Noise Voltage	eN	$f=10Hz\sim 100kHz$ $T_A=25^{\circ}C$		250		μV
Output Voltage Drift	$\Delta V_{OUT}/\Delta T$	$I_{OUT}=5mA$		-0.9		$mV/^{\circ}C$
Ripple Rejection	RR	$V_{IN}=-18.5V\sim-28.5V, f=120Hz$	54	60		dB
Peak Current	I_{PEAK}	$T_J=25^{\circ}C$		2.2		A

APPLICATION CIRCUITS

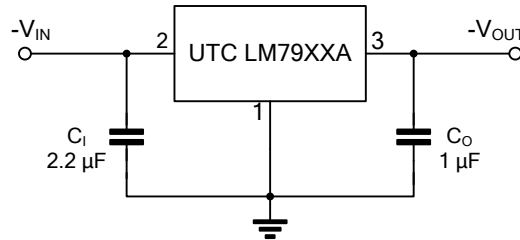


Fig.1 Fixed output regulator

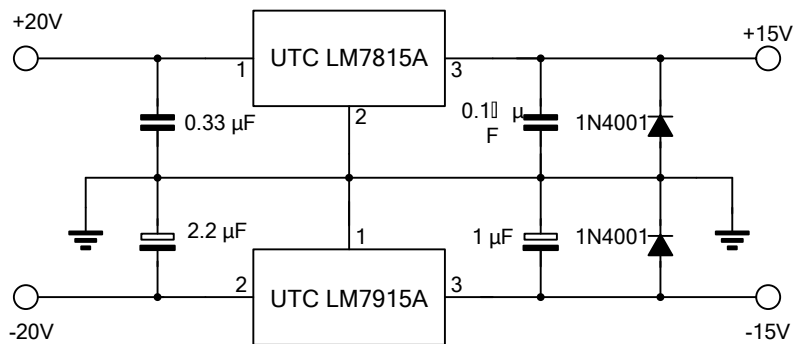


Fig.2 Split power supply(+15V,1A)

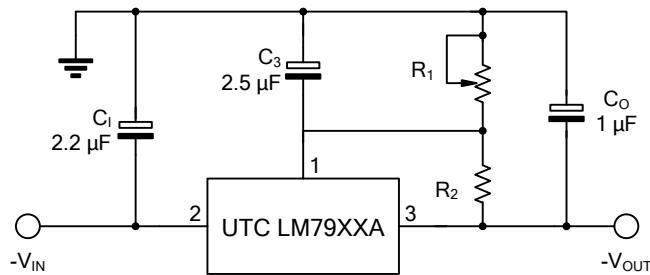


Fig.3 Circuit for increasing output voltage

UTC assumes no responsibility for equipment failures that result from using products at values that exceed, even momentarily, rated values (such as maximum ratings, operating condition ranges, or other parameters) listed in products specifications of any and all UTC products described or contained herein. UTC products are not designed for use in life support appliances, devices or systems where malfunction of these products can be reasonably expected to result in personal injury. Reproduction in whole or in part is prohibited without the prior written consent of the copyright owner. UTC reserves the right to make changes to information published in this document, including without limitation specifications and product descriptions, at any time and without notice. This document supersedes and replaces all information supplied prior to the publication hereof.