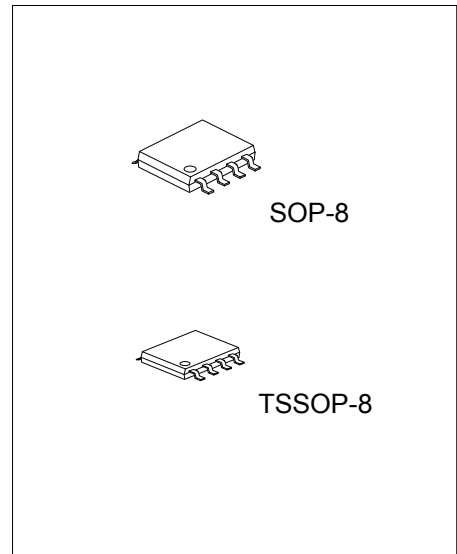




M2136

LINEAR INTEGRATED CIRCUIT

ULTRA WIDE BAND, HIGH SLEW RATE SINGLE OPERATIONAL AMPLIFIER



DESCRIPTION

The UTC **M2136** is ultra fast single operational amplifiers with low operating voltage ($\pm 1.35V$) designed for applications requiring wide bandwidth and high slew rate.

Because of low operating voltage and low operating current, it is also apply to portable communication items.

The high speed of this operational amplifier make them useful in high speed analog and digital signal processor, line driver and active filters, HDTV, industrial measurement equipment and others.

FEATURES

- *Input Offset Voltage Balance
- *Operating Voltage: $\pm 1.35V \sim \pm 6V$
- *Ultra Wide Band: 200MHz Typ.
- *High Slew Rate: 45V/ μs Typ.
- *Low Operating Current: 0.63mA Typ.

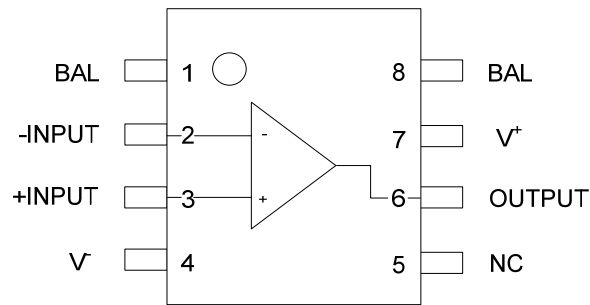
ORDERING INFORMATION

Ordering Number		Package	Packing
Lead Free	Halogen Free		
M2136L-S08-R	M2136G-S08-R	SOP-8	Tape Reel
M2136L-S08-T	M2136G-S08-T	SOP-8	Tube
M2136L-P08-R	M2136G-P08-R	TSSOP-8	Tape Reel

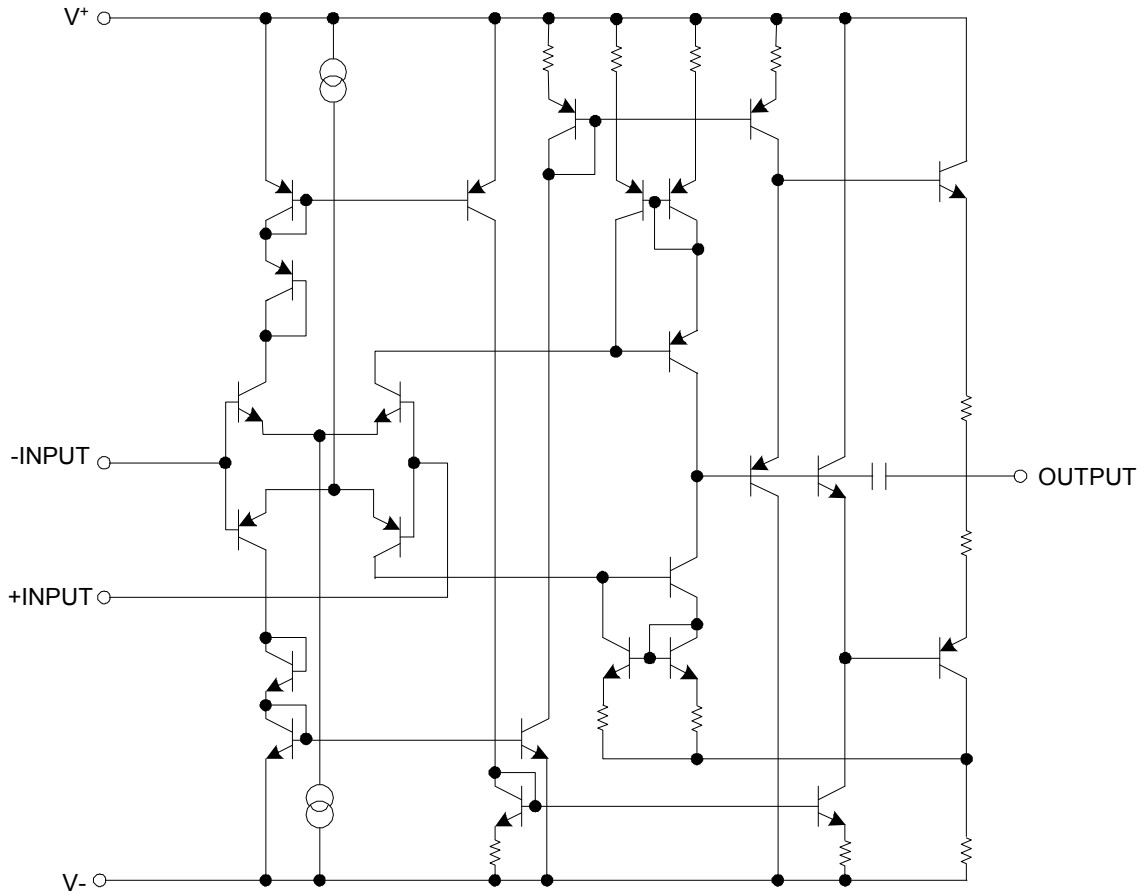
<p>M2136L-S08-R</p> <p>(1) Packing Type</p> <p>(2) Package Type</p> <p>(3) Free Free</p>	<p>(1) R: Tape Reel, T: Tube</p> <p>(2) S08: SOP-8, P08: TSSOP-8</p> <p>(3) G: Halogen Free, L: Lead Free</p>
--	---



■ PIN CONFIGURATION



■ EQUIVALENT CIRCUIT



FLYING 汎翔國際有限公司
 www.flying1688.com

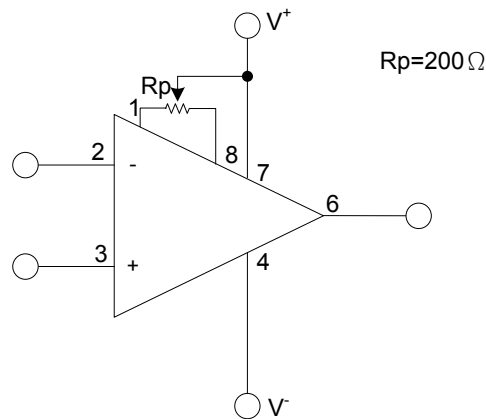
■ ABSOLUTE MAXIMUM RATINGS (Ta=25°C)

PARAMETER	SYMBOL	RATINGS	UNIT
Supply Voltage	V^+ / V^-	± 6.75	V
Differential Input Voltage	V_{ID}	± 3	V
Power Dissipation	TSSOP-8	250	mW
	SOP-8	300	
Ambient Operating Temperature	T_{OPR}	-40 ~ +85	°C
Storage Temperature	T_{STG}	-50 ~ +125	°C

■ ELECTRICAL CHARACTERISTICS (V+ / V- = $\pm 2.5V$, Ta=25°C)

PARAMETER	SYMBOL	TEST CONDITION	MIN	TYP	MAX	UNIT
Operating Voltage	V^+ / V^-		± 1.35	± 2.50	± 6.00	V
Input Offset Voltage	V_{IO}	$R_s \leq 0\Omega$		1.0	5.0	mV
Input Bias Current	I_B			0.5	2.0	μA
Input Offset Current	I_{IO}			20	200	nA
Large Signal Voltage Gain	A_v	$R_L \geq 10k\Omega$	65	75		dB
Input Common Mode Voltage Range	V_{ICM}		1.2	1.5		V
			-1.2	-1.5		
Common Mode Rejection Ratio	CMR	$-1V \leq V_{cm} \leq +1V$	45	60		dB
Supply Voltage Rejection Ratio	+SVR		70	100		dB
	-SVR		50	60		
Maximum Output Voltage Swing	V_{OM}	$R_L = 1k\Omega$	1.1	1.4		V
			-0.9	-1.2		
Operating Current	I_{CC}	$R_L = \infty$ (all Amp.)		0.63	0.82	mA
Slew Rate	SR	$A_v = 0$ dB		45		V/ μs
Gain-Bandwidth Product	GB	60dB · 500kHz	120	200		MHz
Phase Margin	Φ_M	40dB		25		deg
Unity Gain-Bandwidth	f_T	40dB		40		MHz

■ OFFSET ADJUSTMENT METHOD



Note: The electrical characteristics change a little, in case the R_p is connected.

UTC assumes no responsibility for equipment failures that result from using products at values that exceed, even momentarily, rated values (such as maximum ratings, operating condition ranges, or other parameters) listed in products specifications of any and all UTC products described or contained herein. UTC products are not designed for use in life support appliances, devices or systems where malfunction of these products can be reasonably expected to result in personal injury. Reproduction in whole or in part is prohibited without the prior written consent of the copyright owner. The information presented in this document does not form part of any quotation or contract, is believed to be accurate and reliable and may be changed without notice.