



## M385

Preliminary

LINEAR INTEGRATED CIRCUIT

### MICROPOWER VOLTAGE REFERENCE

#### DESCRIPTION

The UTC **M385** is a micropower voltage reference. This device features good temperature stability and extreme low dynamic impedance when it is operated over a 20 $\mu$ A to 20mA current. Low noise and good long-term stability are achieved because the UTC **M385** bandgap reference applies only bipolar transistors and resistors.

The UTC **M385** can be used in almost any reference application due to the exceptional tolerance of capacitive loading. This voltage reference can be applied in portable meters, regulators, or general-purpose analog circuitry with battery life approaching shelf life. The wide dynamic operating range contributes to its use with widely varying supplies with excellent regulation. The low power drain of the UTC **M385** is useful for micropower circuitry. On-chip trimming gives it the tight voltage tolerance. Furthermore, the wide operating current can replace older references with a tighter tolerance.

The UTC **M385** can be used in such applications, for example, portable and battery-powered equipment, instrumentation, process control, energy management, product testing, automotive, precision audio components, and so on.

#### FEATURES

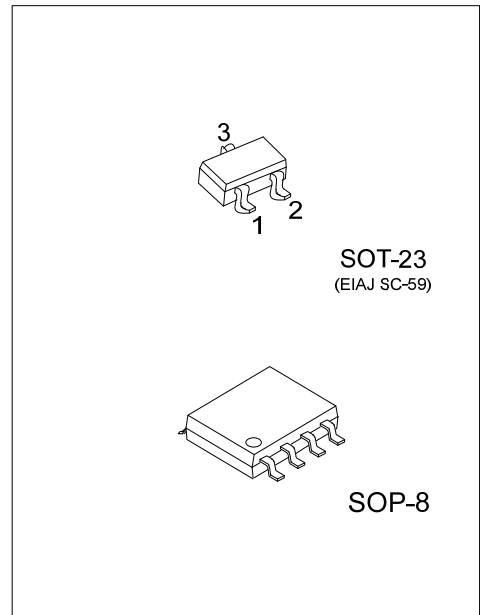
- \* Initial tolerance: 1%
- \* Operating current range: 10 $\mu$ A~20mA for  $V_R=1.235V$   
20 $\mu$ A~20mA for  $V_R=2.5V$
- \* Low temperature coefficient
- \* Low voltage reference

#### ORDERING INFORMATION

Ordering Number		Package	Pin Assignment			Packing
Lead Free	Halogen Free		1	2	3	
M385L-xx-AE3-R	M385G-xx-AE3-R	SOT-23	A	K	NC	Tape Reel
M385L-xx-AE3-A-R	M385G-xx-AE3-A-R	SOT-23	K	A	NC	Tape Reel
M385L-xx-S08-R	M385G-xx-S08-R	SOP-8	refer to PIN CONNECTIONS			Tape Reel

Note: xx: Output Voltage, refer to Marking Information.

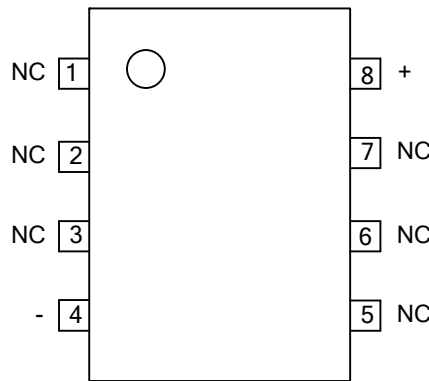
<p>M385G-xx-AE3-A-R</p>	<p>(1) R: Tape Reel  (2) refer to Pin Assignment  (3) AE3: SOT-23, S08: SOP-8  (4) xx: refer to Marking Information  (5) G: Halogen Free and Lead Free, L: Lead Free</p>
-------------------------	--



MARKING INFORMATION

PACKAGE	VOLTAGE CODE	MARKING
SOT-23	12: 1.2V 25: 2.5V	
SOP-8		

PIN CONNECTIONS



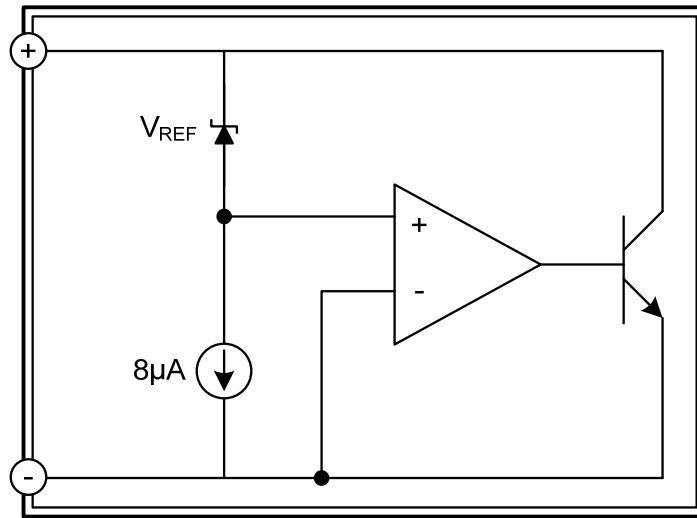
SOP-8

PIN DESCRIPTIONS

PIN NO.	PIN NAME	PIN FUNCTION
1	NC	Not connected
2	NC	Not connected
3	NC	Not connected
4	-	Pin-sources current for normal application, the current value is the same as Pin+
5	NC	Not connected
6	NC	Not connected
7	NC	Not connected
8	+	Sinks current with a range from 20μA to 20mA for normal applications, a stable positive voltage, relative to Pin-, occurs on Pin-

FLYING 汎翔國際有限公司  
[www.flying1688.com](http://www.flying1688.com)

■ BLOCK DIAGRAM



FLYING 汎翔國際有限公司  
www.flying1688.com

■ ABSOLUTE MAXIMUM RATINGS

PARAMETER	SYMBOL	RATINGS	UNIT
Reverse Current	$I_R$	30	mA
Forward Current	$I_F$	10	mA
Junction Temperature	$T_J$	+125	°C
Operating Temperature	$T_{OPR}$	-40 ~ +85	°C
Storage Temperature	$T_{STG}$	-65 ~ +150	°C

Note: Absolute maximum ratings are those values beyond which the device could be permanently damaged. Absolute maximum ratings are stress ratings only and functional device operation is not implied.

■ ELECTRICAL CHARACTERISTICS ( $T_A=25^\circ\text{C}$ , unless otherwise specified.)

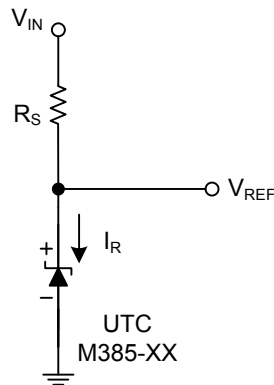
**M385-1.2V**

PARAMETER	SYMBOL	CONDITIONS	MIN	TYP	MAX	UNIT
Reverse Breakdown Voltage	$V_R$	$I_R=100\mu\text{A}$	1.222	1.235	1.248	V
Reverse Breakdown Voltage Charge with Current	$\Delta V_R$	$10\mu\text{A} < I_R < 1\text{mA}$ $1\text{mA} < I_R < 20\text{mA}$			2 20	mV mV
Reverse Dynamic Impedance	$Z_R$	$I_R=100\mu\text{A}$ , $f=20\text{Hz}$			1	$\Omega$
Minimum Operating Current	$I_{R(MIN)}$			8	15	$\mu\text{A}$
Wideband Noise	$e_N$	$I_R=100\mu\text{A}$ , $10\text{Hz} \leq f \leq 10\text{KHz}$		60		$\mu\text{V}_{rms}$
Average Temperature Coefficient	$\alpha V_R$	$I_R=100\mu\text{A}$		100		ppm/°C
Long Term Stability	$\frac{\Delta V_R}{\Delta t}$	$I_R=100\mu\text{A}$ , $T=1000\text{Hrs}$ , $T_A=25^\circ\text{C}$		20		ppm

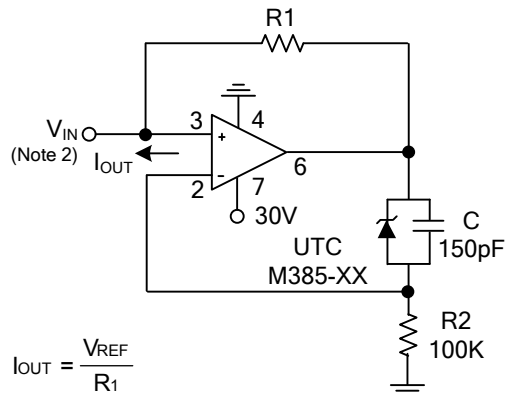
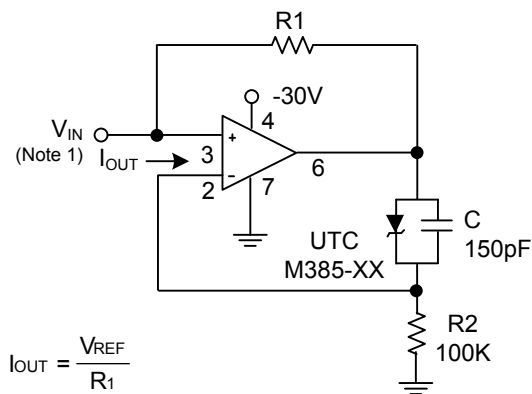
**M385-2.5V**

PARAMETER	SYMBOL	CONDITIONS	MIN	TYP	MAX	UNIT
Reverse Breakdown Voltage	$V_R$	$I_R=100\mu\text{A}$	2.475	2.5	2.525	V
Reverse Breakdown Voltage Charge with Current	$\Delta V_R$	$20\mu\text{A} < I_R < 1\text{mA}$ $1\text{mA} < I_R < 20\text{mA}$			3.2 20	mV mV
Reverse Dynamic Impedance	$Z_R$	$I_R=100\mu\text{A}$ , $f=20\text{Hz}$			1	$\Omega$
Minimum Operating Current	$I_{R(MIN)}$			15	25	$\mu\text{A}$
Wideband Noise	$e_N$	$I_R=100\mu\text{A}$ , $10\text{Hz} \leq f \leq 10\text{KHz}$		60		$\mu\text{V}_{rms}$
Average Temperature Coefficient	$\alpha V_R$	$I_R=100\mu\text{A}$		100		ppm/°C
Long Term Stability	$\frac{\Delta V_R}{\Delta t}$	$I_R=100\mu\text{A}$ , $T=1000\text{Hrs}$ , $T_A=25^\circ\text{C}$		20		ppm

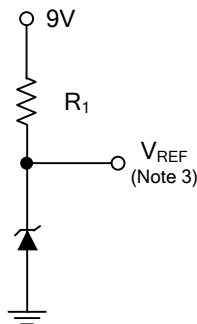
■ TEST CIRCUIT



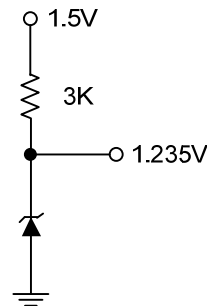
■ APPLICATION CIRCUITS



Precision 1μA to 1mA Current Source



Micropower Reference from 9V Battery



Reference from 1.5V Battery (Only for M385-1.2V)

- Notes: 1.  $V_{REF}=1.235V, -2.3V \leq V+ \leq -27V, V_{REF}=2.5V, -3.7 \leq V+ \leq -27V$   
 2.  $V_{REF}=1.235V, 2.3V \leq V+ \leq 27V, V_{REF}=2.5V, 3.7 \leq V+ \leq 27V$   
 3.  $V_{REF}=1.235V, R_1=900K\Omega, V_{REF}=2.5V, R_1=220K\Omega$

UTC assumes no responsibility for equipment failures that result from using products at values that exceed, even momentarily, rated values (such as maximum ratings, operating condition ranges, or other parameters) listed in products specifications of any and all UTC products described or contained herein. UTC products are not designed for use in life support appliances, devices or systems where malfunction of these products can be reasonably expected to result in personal injury. Reproduction in whole or in part is prohibited without the prior written consent of the copyright owner. UTC reserves the right to make changes to information published in this document, including without limitation specifications and product descriptions, at any time and without notice. This document supersedes and replaces all information supplied prior to the publication hereof.