

UTC MC3419 LINEAR INTEGRATED CIRCUIT

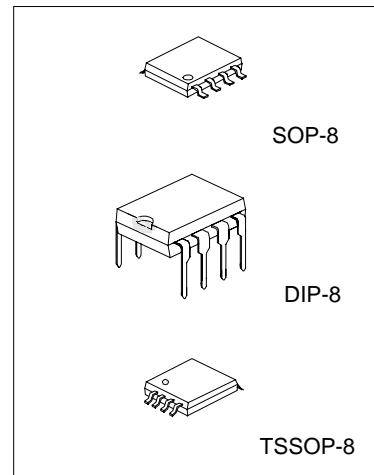
LOW POWER AUDIO AMPLIFIER

DESCRIPTION

The UTC MC3419 is a low power audio amplifier integrated circuit, intended for the telephone applications, such as in speakerphones. It provides differential speaker outputs to maximize output swing at low supply voltages. Coupling capacitor to the speaker is not required. Open loop gain is 80dB, and the closed loop gain is set with two external resistors. A chips disable pin permits powering down and/or muting the input signal.

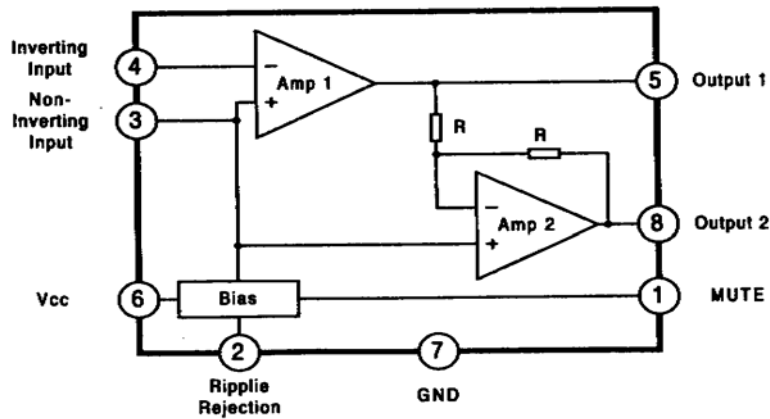
FEATURES

- *Wide operating supply voltage: $V_{cc}=2V\sim 16V$
- *Low quiescent supply current ($I_{cc}=2.7mA$, typ)
- *Medium output power ($P_o=250mW$ at $V_{cc}=6V$, $R_L=32\Omega$, THD=10%)
- *Load impedance range (8 to 100ohm)
- *Low distortion
- *Mute function ($I_{cc}=65\mu A$, typ)
- *Minimum number of external parts required



*Pb-free plating product number: MC3419L

BLOCK DIAGRAM



UTC UNISONIC TECHNOLOGIES CO., LTD.

1

QW-R107-042,A

FLYING 汎翔國際有限公司
www.flying1688.com

UTC MC3419 LINEAR INTEGRATED CIRCUIT

ABSOLUTE MAXIMUM RATINGS (Ta=25°C)

PARAMETER	SYMBOL	VALUE	UNIT
Supply Voltage	Vcc	-1 to +18	V
Output Current	Io	+250	mA
Maximum Input, Ripple Rejection, Mute Pin Voltage	Vi	-1 to +1	V
Applied Output Voltage (Output Pin When Disabled)	Vo	-1 to +1	V
Junction Temperature	Tj	-55 to +150	°C

PIN CONFIGURATIONS

PIN	NAME	DESCRIPTION
1	Mute	This pin can be used to power down the IC to conserve power, or for muting, or both. When at a logic "LOW" (less than 0.8V), the IC is enabled for normal operation. When at a logic "HIGH" (2V to Vcc), the IC is disabled. If Mute is open, that is equivalent to a logic "LOW".
2	Ripple Rejection	A capacitor at this pin increase power supply rejection, and affects turn-on time. This pin can be left open if the capacitor at pin 1 is sufficient.
3	Input(+)	Analog Ground for the amplifiers. A 1μF capacitor at this pin (with a 5μF capacitor at pin 8) provides 52dB(typ) of power supply rejection. Turn-on time of the circuit is affected by the capacitor on this pin. This pin can be used as an alternative input.
4	Input(-)	Amplifier input. The input capacitor and resistor set low frequency roll-off and input impedance. The feedback resistor is connected between this pin and output 1.
5	Output 1	Amplifier 1's output. The DC level is about (Vcc-0.7V)/2.
6	Vcc	DC supply voltage is applied to this pin(Vcc=2~16V).
7	GND	Ground pin.
8	Output 2	Amplifier 2's output. This signal is equal in amplitude, but 180 ° out of phase with that output 1, the DC level is about (Vcc-0.7V)/2.

RECOMMENDED OPERATION CONDITIONS (Ta=25°C)

PARAMETER	SYMBOL	VALUE	UNIT
Supply Voltage	Vcc	2~16	V
Load Impedance	ZL	8~100	Ω
Peak Load Current	IL(peak)	+200	mA
Differential Gain (5KHz Bandwidth)	ΔGv	0~46	dB
Voltage at Mute	Vi(mute)	0~Vcc	V
Ambient Temperature	Ta	-20~+70	°C

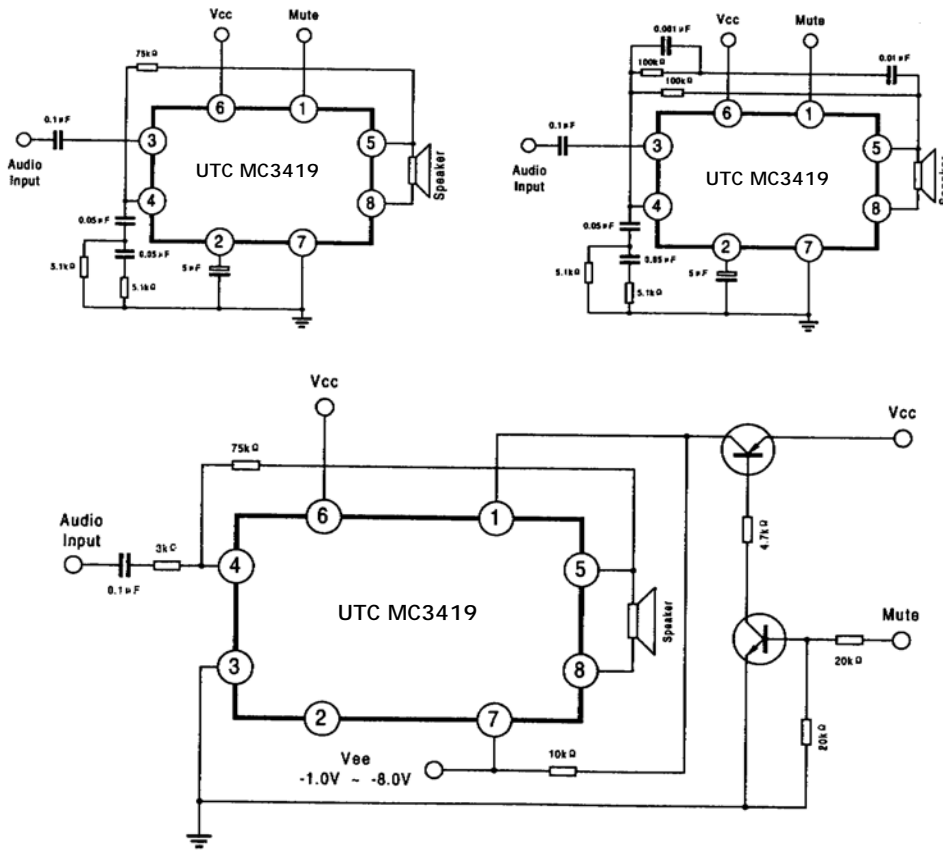
UTC MC3419 LINEAR INTEGRATED CIRCUIT

ELECTRICAL CHARACTERISTICS (Vcc=6V, Ta=25°C, unless otherwise specified)

PARAMETER	SYMBOL	TEST CONDITIONS	MIN	TYP	MAX	UNIT
DC PARAMETER						
Operating Current	Icc	Vcc=3V, Mute=0.8V		2.7	4	mA
		Vcc=16V, Mute=0.8V		3.3	5	mA
		Vcc=3V, Mute=2V		65	100	μA
Output Voltage	Vo	RL=16Ω, R1=75KΩ				
		Vcc=3V	1	1.15	1.25	V
		Vcc=6V		2.65		V
		Vcc=12V		5.65		V
Output Offset Voltage	Voo	Vcc=6V, Rf=75KΩ, RL=32Ω	-30	0	30	mV
Output High Level	VoH	2V<Vcc<16V, Iout=-75mA		Vcc-1		V
Output Low Level	VoL	2V<Vcc<16V, Iout=75mA		0.16		V
Input Bias Current	Ibias			-100	-200	nA
Equivalent Resistance	REQ	Pin 1	100	150	220	KΩ
		Pin 8	18	25	40	KΩ
AC PARAMETER						
Open Loop Gain of Amp. 1	Gv1		80			dB
Open Loop Gain of Amp. 2	Gv2	f=1KHz, RL=32Ω	-0.35	0	0.35	dB
Output Power	Po	Vcc=3V, RL=6Ω, THD<10%	55			mW
		Vcc=6V, RL=32Ω, THD<10%	250			mW
		Vcc=12V, RL=100Ω, THD<10%	400			mW
Total Harmonic Distortion (f=1KHz)	THD	Vcc=6V, RL=32Ω, Po=125mW		0.5	1	%
		Vcc<3V, RL=8Ω, Po=20mW		0.5		%
		Vcc<12V, RL=32Ω, Po=200mW		0.6		%
Gain Bandwidth Product	GBW			1.5		MHz
Power Supply Rejection (Vcc=6V, ΔVcc=3V)	PSRR	C1=∞, C2=0.01μF	50			dB
		C1=0.1μF, C2=0, f=1KHz		12		dB
		C1=1μF, C2=5μF, f=1KHz		52		dB
Muting	Gv(mute)	Mute=2V, 1KHz<f<20KHz	70			dB

UTC MC3419 LINEAR INTEGRATED CIRCUIT

TYPICAL PERFORMANCE CHARACTERISTICS



UTC assumes no responsibility for equipment failures that result from using products at values that exceed, even momentarily, rated values (such as maximum ratings, operating condition ranges, or other parameters) listed in products specifications of any and all UTC products described or contained herein. UTC products are not designed for use in life support appliances, devices or systems where malfunction of these products can be reasonably expected to result in personal injury. Reproduction in whole or in part is prohibited without the prior written consent of the copyright owner. The information presented in this document does not form part of any quotation or contract, is believed to be accurate and reliable and may be changed without notice.

UTC UNISONIC TECHNOLOGIES CO., LTD.

4

QW-R107-042,A

FLYING 汎翔國際有限公司
www.flying1688.com