



MPSA05/55

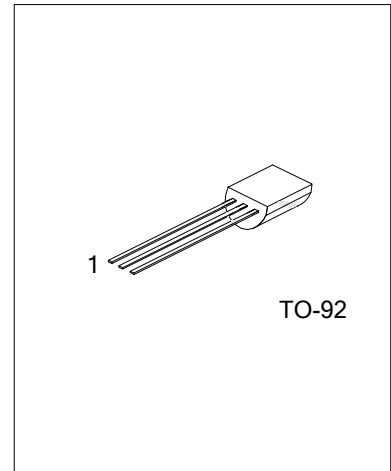
AMPLIFIER TRANSISTOR

NPN MPSA05

PNP MPSA55

■ FEATURES

* Collector-Emitter Voltage: $V_{CE0}=60V$



■ ORDERING INFORMATION

Ordering Number		Package	Pin Assignment			Packing
Lead Free	Halogen Free		1	2	3	
MPSA05L-T92-B	MPSA05G-T92-B	TO-92	E	B	C	Tape Box
MPSA05L-T92-K	MPSA05G-T92-K	TO-92	E	B	C	Bulk
MPSA55L-T92-B	MPSA55G-T92-B	TO-92	E	B	C	Tape Box
MPSA55L-T92-K	MPSA55G-T92-K	TO-92	E	B	C	Bulk
MPSA55L-T92-A-B	MPSA55G-T92-A-B	TO-92	E	C	B	Tape Box
MPSA55L-T92-A-K	MPSA55G-T92-A-K	TO-92	E	C	B	Bulk

Note: Pin Assignment: B: Base C: Collector E: Emitter

<p>MPSA55L-T92-A-B</p> <p>(1)Packing Type (2)Pin Assignment (3)Package Type (4)Lead Free</p>	<p>(1) B: Tape Box, K: Bulk (2) refer to Pin Assignment (3) AB3: SOT-89, T92: TO-92 (4) L: Lead Free, G: Halogen Free</p>
--	---

■ MARKING INFORMATION

PACKAGE	MARKING	
	MPSA05	MPSA55
TO-92	<p>UTC MPSA05 □ □ □ □ L: Lead Free G: Halogen Free Pin Code ← □ □ □ □ → Data Code 1</p>	<p>UTC MPSA55 □ □ □ □ L: Lead Free G: Halogen Free Pin Code ← □ □ □ □ → Data Code 1</p>

■ ABSOLUTE MAXIMUM RATING ($T_A=25^\circ\text{C}$, unless otherwise specified)

PARAMETER		SYMBOL	RATINGS	UNIT
Collector-base voltage		V_{CBO}	60	V
Collector-emitter voltage		V_{CEO}	60	V
Emitter-base voltage		V_{EBO}	4	V
Collector current - Continuous		I_C	500	mA
Total device dissipation	$T_A=25^\circ\text{C}$	P_D	625	mW
	$T_C=25^\circ\text{C}$		1500	
Total device dissipation (Derate above 25°C)	$T_A=25^\circ\text{C}$		5	mW/ $^\circ\text{C}$
	$T_C=25^\circ\text{C}$		12	
Junction Temperature		T_J	125	$^\circ\text{C}$
Storage Temperature		T_{STG}	-40 ~ +150	$^\circ\text{C}$

Note: Absolute maximum ratings are those values beyond which the device could be permanently damaged. Absolute maximum ratings are stress ratings only and functional device operation is not implied.

■ THERMAL DATA

PARAMETER	SYMBOL	RATINGS	UNIT
Thermal resistance, junction to ambient (Note)	θ_{JA}	200	$^\circ\text{C}/\text{W}$
Thermal resistance, junction to case	θ_{JC}	83.3	$^\circ\text{C}/\text{W}$

Note: θ_{JA} is measured with the device soldered into a typical printed circuit board.

■ ELECTRICAL CHARACTERISTICS ($T_A=25^\circ\text{C}$, unless otherwise specified)

PARAMETER	SYMBOL	TEST CONDITIONS	MIN	TYP	MAX	UNIT
OFF CHARACTERISTICS						
Collector-emitter breakdown voltage (note 1)	$V_{(BR)CEO}$	$I_C=1.0\text{mA}, I_B=0$	60			V
Emitter-base breakdown voltage	$V_{(BR)EBO}$	$I_E=100\mu\text{A}, I_C=0$	4			V
Collector cutoff current	I_{CES}	$V_{CE}=60\text{V}, I_B=0$			0.1	μA
Collector cutoff current	I_{CBO}	$V_{CB}=60\text{V}, I_E=0$			0.1	μA
ON CHARACTERISTICS						
DC current gain	h_{FE}	$I_C=10\text{mA}, V_{CE}=1\text{V}$	100			
		$I_C=100\text{mA}, V_{CE}=1\text{V}$	100			
Collector-emitter saturation voltage	$V_{CE(SAT)}$	$I_C=100\text{mA}, I_B=10\text{mA}$			0.25	V
Base-emitter on voltage	$V_{BE(ON)}$	$I_C=100\text{mA}, V_{CE}=1\text{V}$			1.2	V
SMALL-SIGNAL CHARACTERISTICS						
Current gain bandwidth product (note 2)	MPSA05	f_T	$I_C=10\text{mA}, V_{CE}=2\text{V}, f=100\text{MHz}$	100		MHz
	MPSA55					

Note: 1. Pulse test: $P_W \leq 300\mu\text{s}$, Duty Cycle $\leq 2\%$

2. f_T is defined as the frequency at which $|h_{fe}|$ extrapolates to unity.

SWITCHING TIME TEST CIRCUIT

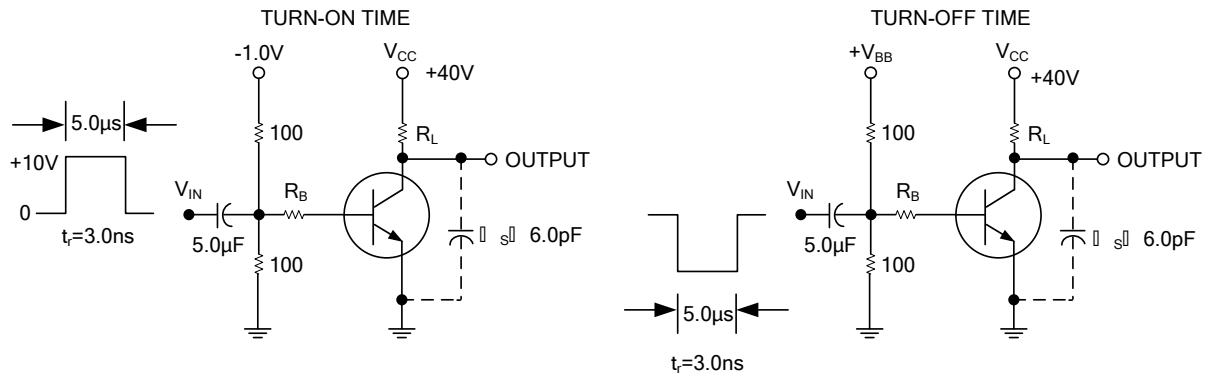
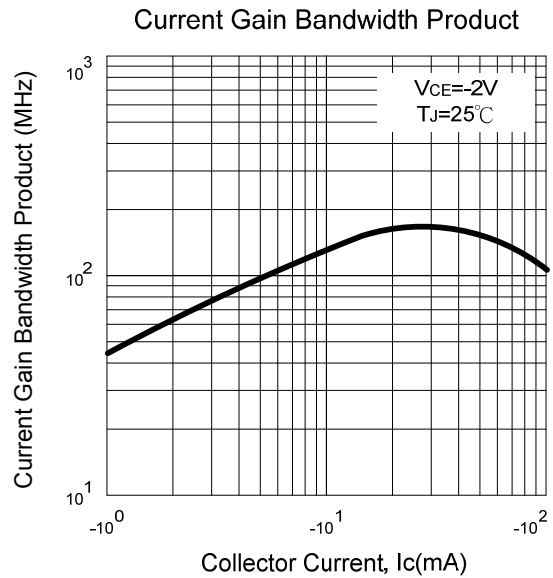
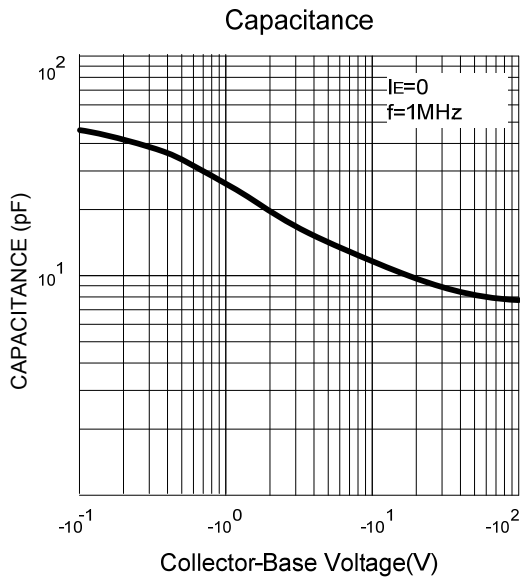
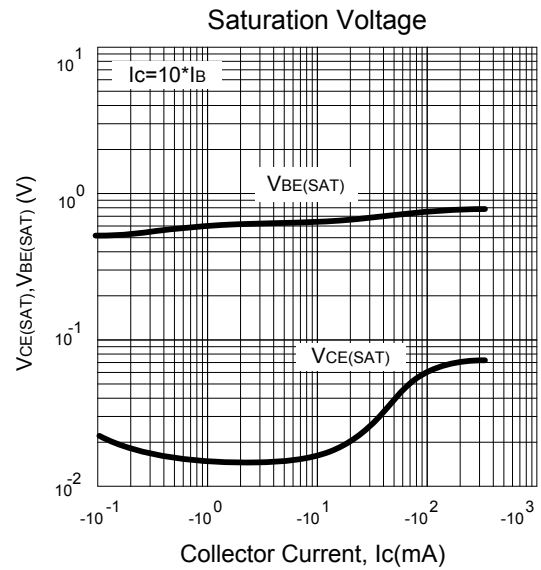
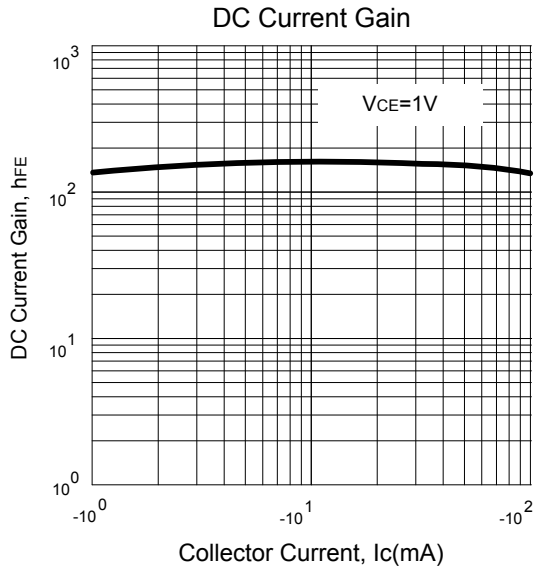


Figure 1. (Note: Total shunt capacitance of test jig and connectors for PNP test circuits, reverse all voltage polarities.)

TYPICAL CHARACTERISTICS

MPSA55



UTC assumes no responsibility for equipment failures that result from using products at values that exceed, even momentarily, rated values (such as maximum ratings, operating condition ranges, or other parameters) listed in products specifications of any and all UTC products described or contained herein. UTC products are not designed for use in life support appliances, devices or systems where malfunction of these products can be reasonably expected to result in personal injury. Reproduction in whole or in part is prohibited without the prior written consent of the copyright owner. The information presented in this document does not form part of any quotation or contract, is believed to be accurate and reliable and may be changed without notice.