



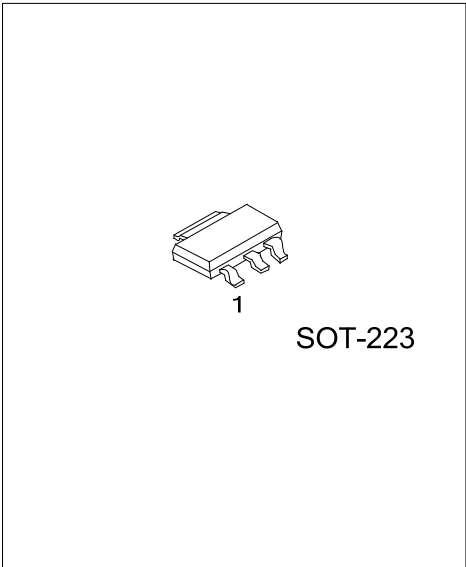
## PZTA06

## NPN SILICON TRANSISTOR

### AMPLIFIER TRANSISTOR

#### ■ FEATURES

- \* Collector-Emitter Voltage:  $V_{CE0}=80V$
- \* Collector Dissipation:  $P_D=350mW$



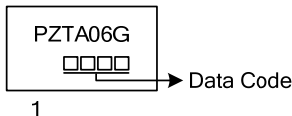
#### ■ ORDERING INFORMATION

Ordering Number	Package	Pin Assignment			Packing
		1	2	3	
PZTA06G-AA3-R	SOT-223	B	C	E	Tape Reel

Note: Pin Assignment: B: Base C: Collector E: Emitter

<p>PZTA06G-AA3-R</p> <ul style="list-style-type: none"> <li>(1) Packing Type</li> <li>(2) Package Type</li> <li>(3) Green Package</li> </ul>	<ul style="list-style-type: none"> <li>(1) R: Tape Reel</li> <li>(2) AA3: SOT-223</li> <li>(3) G: Halogen Free and Lead Free</li> </ul>
--	---

#### ■ MARKING



■ ABSOLUTE MAXIMUM RATINGS ( $T_A=25^\circ\text{C}$ , unless otherwise specified)

PARAMETER	SYMBOL	RATINGS	UNIT
Collector Base Voltage	$V_{CBO}$	80	V
Collector Emitter Voltage	$V_{CEO}$	80	V
Emitter Base Voltage	$V_{EBO}$	4	V
Collector Current - Continuous	$I_C$	500	mA
Total Device Dissipation (Note 2)	$P_D$	1000	mW
Derate Above $25^\circ\text{C}$		8	$\text{mW}/^\circ\text{C}$
Junction Temperature	$T_J$	+150	$^\circ\text{C}$
Storage Temperature	$T_{STG}$	-55 ~ +150	$^\circ\text{C}$

Notes: 1. Absolute maximum ratings are those values beyond which the device could be permanently damaged.

Absolute maximum ratings are stress ratings only and functional device operation is not implied.

2. Device is mounted on FR-4 PCB  $36 \times 18 \times 1.5$  mm, mounting pad for the collector lead minimum  $6 \text{ cm}^2$ .

■ THERMAL DATA

PARAMETER	SYMBOL	RATINGS	UNIT
Junction to Ambient	$\theta_{JA}$	125	$^\circ\text{C}/\text{W}$

■ ELECTRICAL CHARACTERISTICS ( $T_A=25^\circ\text{C}$ , unless otherwise specified)

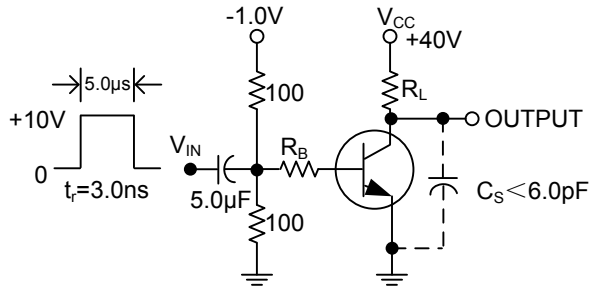
PARAMETER	SYMBOL	TEST CONDITIONS	MIN	TYP	MAX	UNIT
<b>OFF CHARACTERISTICS</b>						
Collector Emitter Breakdown Voltage (Note 1)	$BV_{CEO}$	$I_C=1.0\text{mA}, I_B=0$	80			V
Emitter Base Breakdown Voltage	$BV_{EBO}$	$I_E=100\mu\text{A}, I_C=0$	4			V
Collector Cutoff Current	$I_{CES}$	$V_{CE}=60\text{V}, I_B=0$			0.1	$\mu\text{A}$
Collector Cutoff Current	$I_{CBO}$	$V_{CB}=80\text{V}, I_E=0$			0.1	$\mu\text{A}$
<b>ON CHARACTERISTICS</b>						
DC Current Gain	$h_{FE}$	$V_{CE}=1\text{V}, I_C=10\text{mA}$ ,	100			
		$V_{CE}=1\text{V}, I_C=100\text{mA}$ ,	100			
Collector Emitter Saturation Voltage	$V_{CE(SAT)}$	$I_C=100\text{mA}, I_B=10\text{mA}$			0.25	V
Base Emitter on Voltage	$V_{BE(ON)}$	$V_{CE}=1\text{V}, I_C=100\text{mA}$ ,			1.2	V
<b>SMALL-SIGNAL CHARACTERISTICS</b>						
Current Gain Bandwidth Product (Note2)	$f_T$	$V_{CE}=2\text{V}, I_C=10\text{mA}, f=100\text{MHz}$	100			MHz

Notes: 1. Pulse test:  $P_w \leq 300\mu\text{s}$ , Duty Cycle  $\leq 2\%$

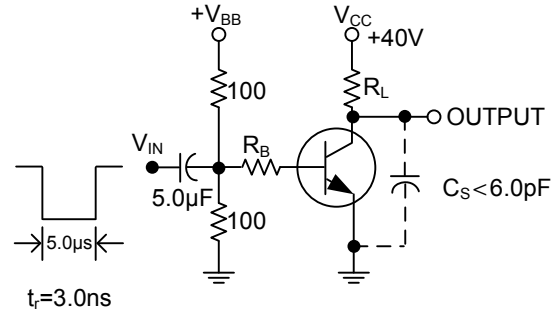
2.  $f_T$  is defined as the frequency at which  $I_{hfe}$  extrapolates to unity.

SWITCHING TIME TEST CIRCUITS

TURN-ON TIME



TURN-OFF TIME



UTC assumes no responsibility for equipment failures that result from using products at values that exceed, even momentarily, rated values (such as maximum ratings, operating condition ranges, or other parameters) listed in products specifications of any and all UTC products described or contained herein. UTC products are not designed for use in life support appliances, devices or systems where malfunction of these products can be reasonably expected to result in personal injury. Reproduction in whole or in part is prohibited without the prior written consent of the copyright owner. The information presented in this document does not form part of any quotation or contract, is believed to be accurate and reliable and may be changed without notice.