

Features

- Slim form factor & large capacity
- Low ESR
- Low leakage currents
- Long cycle life

Applications

- Specially designed for stylus pens or touch pens
- Digital door locks
- Meters

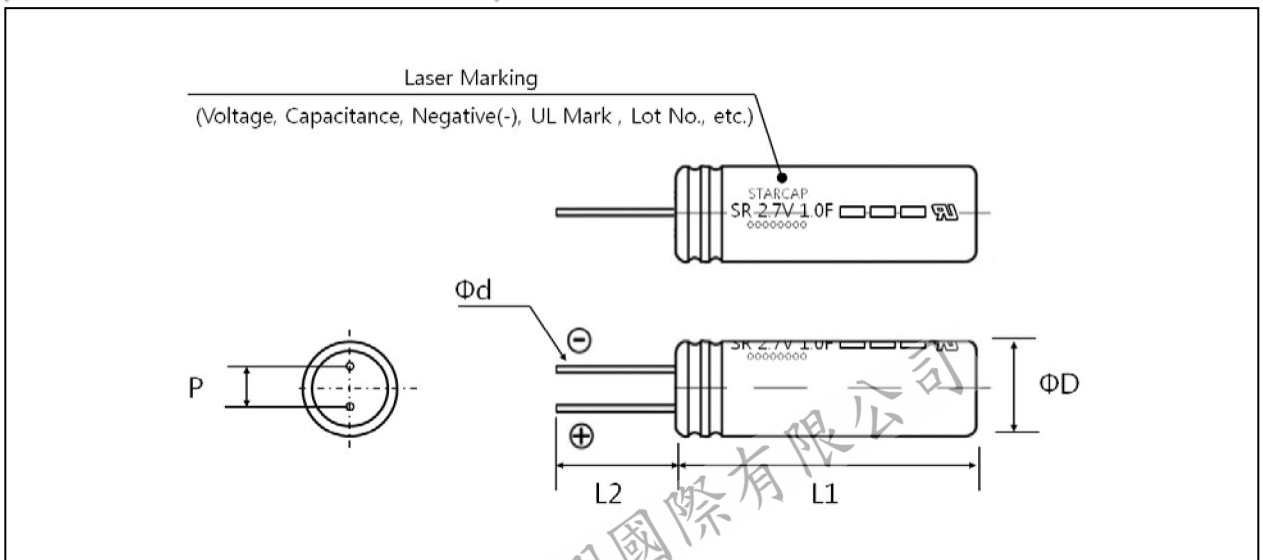


Specifications

Items	Characteristics	
Rated working voltage	2.5 VDC	2.7 VDC
Operating temperature	-25 to +70°C	-40 to +65°C
Capacitance(Dimension code)	0.6F (0425) / 1.0F (0435) / 1.2F (0525) / 2.0F (0535)	
Capacitance tolerance	-20% to +40%(at 25°C)	
Endurance	After 1,000 hours Application of rated DC working voltage at +65/70°C, the capacitor shall meet the following limits. <ul style="list-style-type: none"> • Capacitance change : ≤30% of initial value • Internal resistance change : ≤100% of spec. value 	
Projected Cycle Life*	500,000 Cycles	
	1 Cycle : Charge-Discharge between V_{rated} and $1/2V_{rated}$ <ul style="list-style-type: none"> • Capacitance change : ≤30% of initial value • Internal resistance change : ≤100% of spec. value 	
Shelf life	2 Years (Storage in Operating temp. range above for each products without electrical load) <ul style="list-style-type: none"> • Capacitance change : ≤10% of initial value • Internal resistance change : ≤50% of initial value 	

* Cycle life varies according to the condition of application i.e. charge-discharge condition including current, temperature, voltage range and etc.

Dimensions in mm (not to scale)



Note : It is not allowed to go through reflow (IR, Atmosphere heating methods etc.) process

| Standard products |

Part number	Operating voltage (V)	Capacitance (F)	ESR (Ω , @1kHz)	\varnothing D X L(mm)	P (mm)	\varnothing d (mm)
SR 2R5 604	2.5	0.60	≤ 1.2	\varnothing 4.0 X 25.0	1.5	0.45
SR 2R5 105		1.0	≤ 0.9	\varnothing 4.0 X 35.0	1.5	0.45
SR 2R5 125		1.2	≤ 0.45	\varnothing 5.0 X 25.0	2.0	0.45
SR 2R5 205		2.0	≤ 0.3	\varnothing 5.0 X 35.0	2.0	0.45
SR 2R7 604	2.7	0.60	≤ 0.8	\varnothing 4.0 X 25.0	1.5	0.45
SR 2R7 105		1.0	≤ 0.6	\varnothing 4.0 X 35.0	1.5	0.45
SR 2R7 125		1.2	≤ 0.3	\varnothing 5.0 X 25.0	2.0	0.45
SR 2R7 205		2.0	≤ 0.2	\varnothing 5.0 X 35.0	2.0	0.45

Note : It is not allowed to go through reflow (IR, Atmosphere heating methods etc.) process