



TA7368P

LINEAR INTEGRATED CIRCUIT

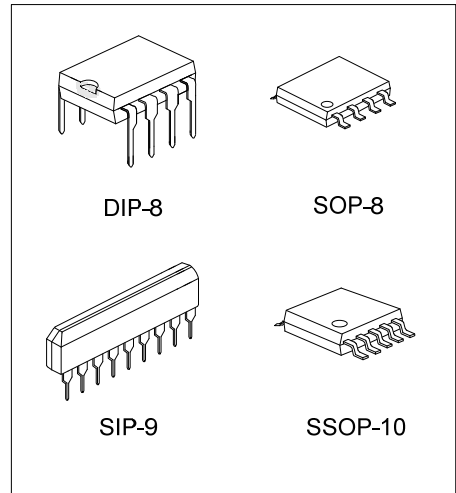
0.6W AUDIO POWER AMPLIFIER

DESCRIPTION

The UTC **TA7368P** is suitable for the audio power amplifier of portable cassette tape recorder and radio.

FEATURES

- * Very Few External Components (Only Three Capacitors)
- * Low Quiescent Current
- * High Voltage Gain: $G_v=40\text{dB}$



ORDERING INFORMATION

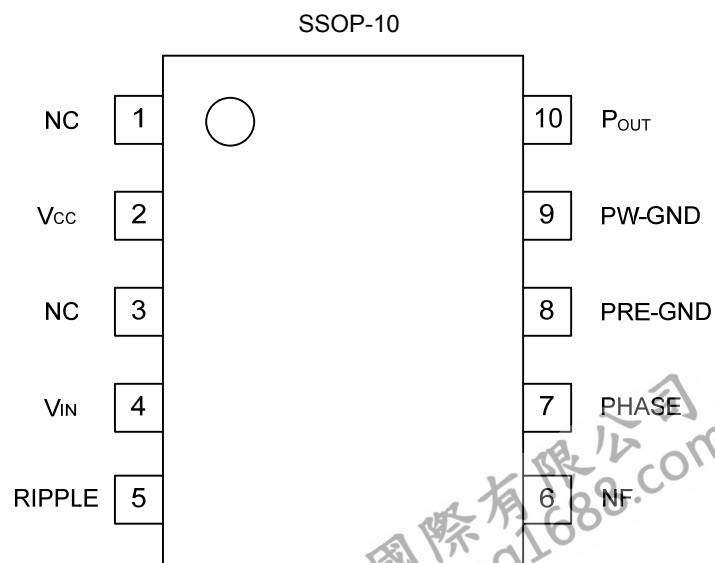
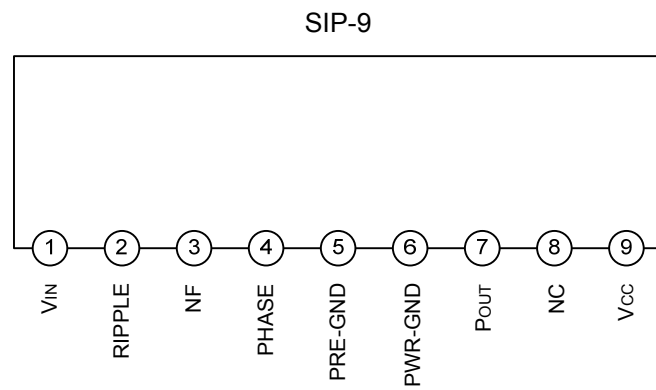
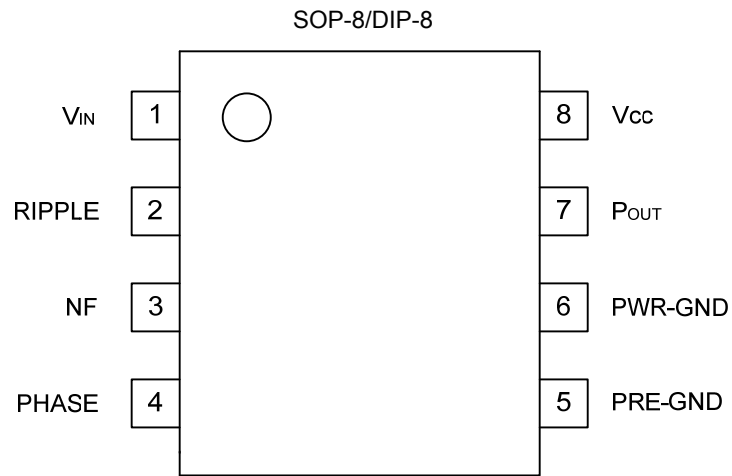
Ordering Number		Package	Packing
Lead Free	Halogen Free		
TA7368PL-D08-T	TA7368PG-D08-T	DIP-8	Tube
TA7368PL-S08-R	TA7368PG-S08-R	SOP-8	Tape Reel
TA7368PL-G09-T	TA7368PG-G09-T	SIP-9	Tube
TA7368PL-R10-R	TA7368PG-R10-R	SSOP-10	Tape Reel

<p>TA7368PG-D08-T</p> <p>(1) Packing Type (2) Package Type (3) Green Package</p>	<p>(1) T: Tube, R: Tape Reel (2) D08: DIP-8, S08: SOP-8, G09: SIP-9 R10: SSOP-10 (3) G: Halogen Free and Lead Free, L: Lead Free</p>
--	--

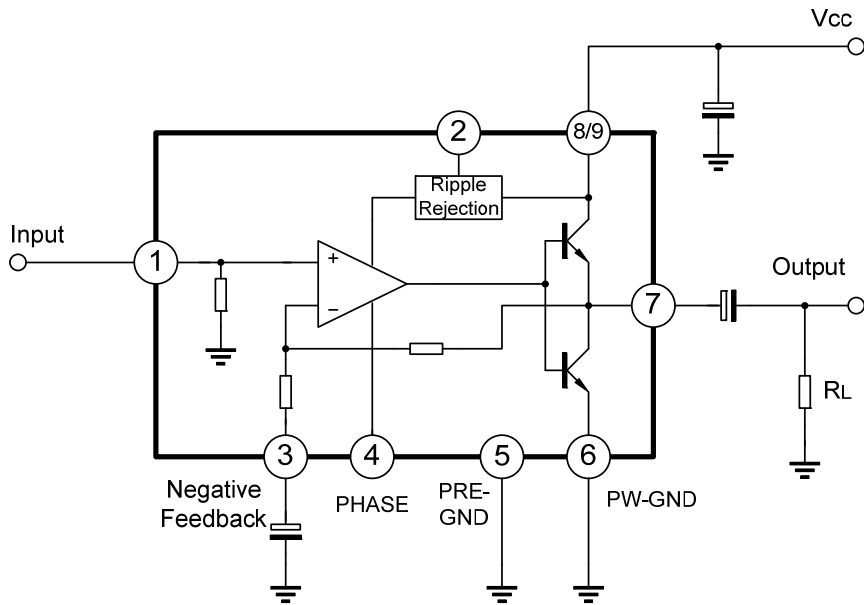
MARKING

DIP-8	SOP-8
<p>UTC □□□□ → Date Code TA7368P □ → L: Lead Free □ → G: Halogen Free □□ → Lot Code</p>	<p>UTC □□□□ → Date Code TA7368P □ → L: Lead Free □ → G: Halogen Free □□ → Lot Code</p>
SIP-9	SSOP-10
<p>UTC □□□□ → Date Code TA7368P □ → L: Lead Free □ → G: Halogen Free □□ → Lot Code</p>	<p>UTC □□□□ → Date Code TA7368P □ → L: Lead Free □ → G: Halogen Free □□ → Lot Code</p>

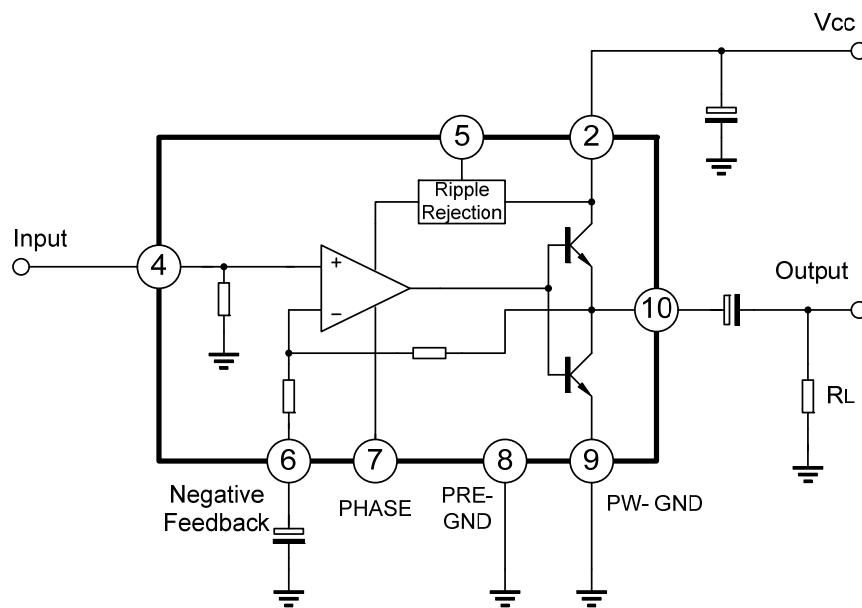
■ PIN CONFIGURATIONS



■ BLOCK DIAGRAMS



Note: Pin connection
 DIP-8/SOP-8: PIN⑧:V_{CC}
 SIP-9: PIN⑧: NC, PIN⑨:V_{CC}



Note: Pin connection for SSOP-10 package only.

■ ABSOLUTE MAXIMUM RATINGS ($T_A=25^\circ\text{C}$)

PARAMETER		SYMBOL	RATINGS	UNIT
Supply Voltage		V_{CC}	14	V
Power Dissipation	DIP-8	P_D	900	mW
	SIP-9		950	
	SOP-8/SSOP-10		400	
Operating Temperature		T_{OPR}	-30 ~ +75	$^\circ\text{C}$
Storage Temperature		T_{STG}	-55 ~ +150	$^\circ\text{C}$

Notes: 1. Absolute maximum ratings are those values beyond which the device could be permanently damaged.

Absolute maximum ratings are stress ratings only and functional device operation is not implied.

2. Derated $T_a > 25^\circ\text{C}$, in the proportion of $7.2\text{mW}/^\circ\text{C}$

■ ELECTRONIC CHARACTERISTICS

($T_A=25^\circ\text{C}$, $V_{CC}=6\text{V}$, $f=1\text{kHz}$, $R_g=600\Omega$, $R_L=4\Omega$, unless otherwise specified)

PARAMETER	SYMBOL	TEST CONDITIONS	MIN	TYP	MAX	UNIT
Quiescent Circuit Current	I_{CCQ}	$V_{CC}=3\text{V}, V_{IN}=0$		5.5		mA
		$V_{CC}=9\text{V}, V_{IN}=0$		6.6	18	
		$V_{CC}=14\text{V}, V_{IN}=0$		7.5	21	
Voltage Gain	G_V	$V_{IN}=0.5\text{mVrms}$	37	40	43	dB
Output Power	P_{OUT}	$V_{CC}=3\text{V}, R_L=4\Omega, \text{THD}=10\%$		120		mW
		$V_{CC}=6\text{V}, R_L=4\Omega, \text{THD}=10\%$	500	720		
		$V_{CC}=9\text{V}, R_L=8\Omega, \text{THD}=10\%$	800	1100		
Total Harmonic Distortion	THD	$P_{OUT}=100\text{mW}$		0.3	1	%
Output Noise Voltage	eN	$R_G=10\text{k}\Omega, \text{BPF}=20\text{Hz}\sim 20\text{kHz}$		0.2	0.5	mVrms
Ripple Rejection	RR	$f_R=100\text{Hz}, V_R=0.3\text{Vrms}, \text{Crip}=0$		25		dB
Input Resistance	R_{IN}			27		k Ω

■ TERMINAL DC VOLTAGE

Typical terminal DC Voltage at no signal with test circuit ($V_{CC}=6\text{V}$, $T_A=25^\circ\text{C}$)

Pin No.	1	2	3	4	5	6	7	8	9	10
SOP-8/DIP-8	0	2.40	0.62	0.64	0	0	2.61	6.0	-	-
SIP-9	0	2.40	0.62	0.64	0	0	2.61	NC	6.0	-
SSOP-10	NC	6.0	NC	0	2.40	0.62	0.64	0	0	2.61

■ PRECAUTION FOR APPLICATION

1. Input stage (Figure 1)

The input stage of power amplifier is comprised of a PNP differential pair (Q2 and Q3) preceded by a PNP emitter follower (Q1) which allows DC referencing of the source signal to GND. This eliminates the need for an input coupling capacitor. However, in case the brush noise of volume becomes a problem, provide serially a coupling capacitor to the input side.

2. Adjustment of the voltage gain (Figure 2)

The voltage gain is fixed at $G_V=40\text{dB}$ by the resistors (R4 and R5) in IC. Its reduction is possible through adding R_F as shown in Figure 2. In this case, the voltage gain is obtained by the following equation: $G_V=20\log(R_5+R_4+R_F)/(R_4+R_F)$. It is recommended to use this IC with the voltage gain of $G_V=28\text{dB}$ or over.

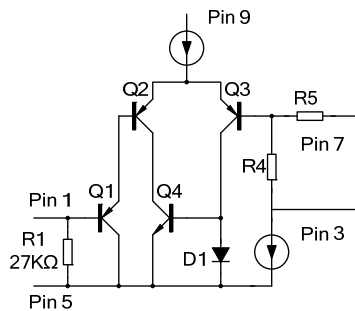


Figure 1

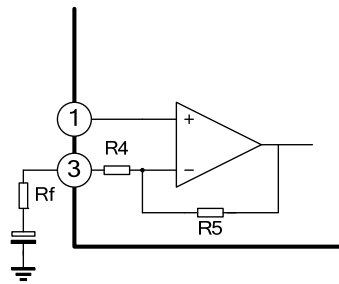


Figure 2

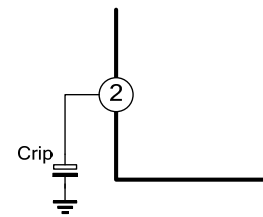


Figure 3

3. Ripple Rejection (Figure 3)

Adding Crip, to the ripple terminal 2 as shown in Figure 3, the ripple rejection ratio is improved from -25dB to -45dB .

4. Power dissipation

Casre should be taken to use IC below maximum power dissipation because it may be over maximum rating depending on operating condition.

$$P_D=900\text{mW} (T_A=25^\circ\text{C})$$

5. Phase-compensation

Small temperature coefficient and excellent frequency characteristics is needed by capacitor below:

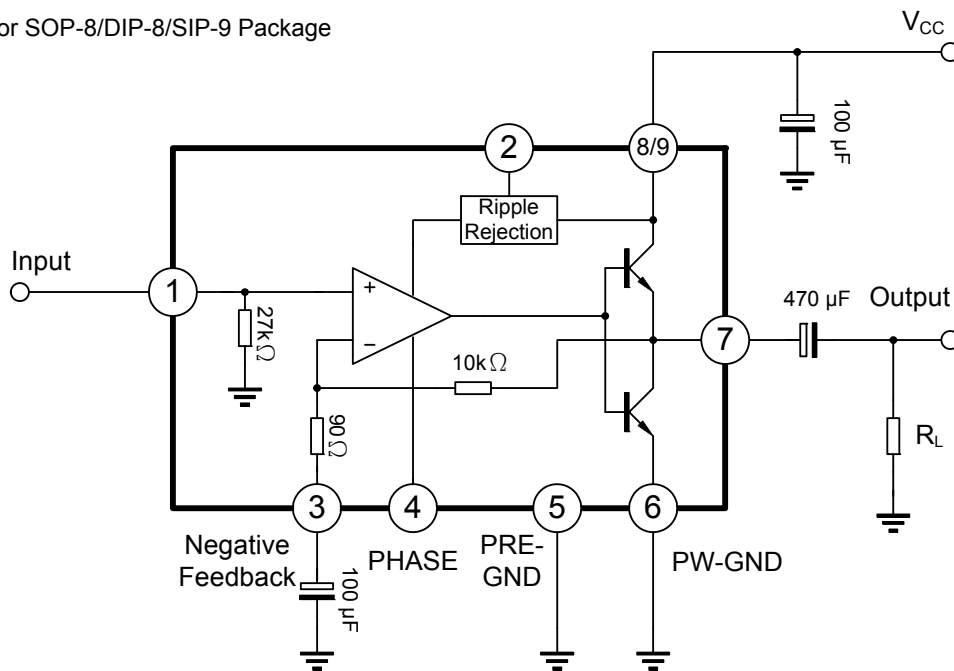
- *Oscillation preventing capacitor for power amplifier output
- *Bypass capacitor for ripple filter
- *Capacitor between V_{CC} and GND

TA7368P

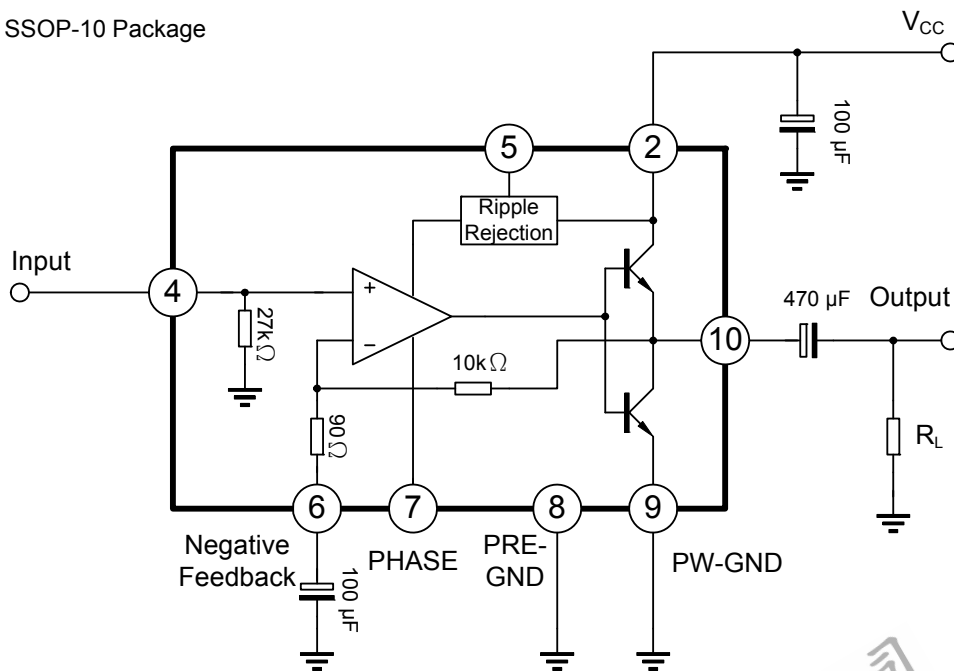
LINEAR INTEGRATED CIRCUIT

■ TEST CIRCUITS

For SOP-8/DIP-8/SIP-9 Package



For SSOP-10 Package



UTC assumes no responsibility for equipment failures that result from using products at values that exceed, even momentarily, rated values (such as maximum ratings, operating condition ranges, or other parameters) listed in products specifications of any and all UTC products described or contained herein. UTC products are not designed for use in life support appliances, devices or systems where malfunction of these products can be reasonably expected to result in personal injury. Reproduction in whole or in part is prohibited without the prior written consent of the copyright owner. UTC reserves the right to make changes to information published in this document, including without limitation specifications and product descriptions, at any time and without notice. This document supersedes and replaces all information supplied prior to the publication hereof.