



TBA820M

LINEAR INTEGRATED CIRCUIT

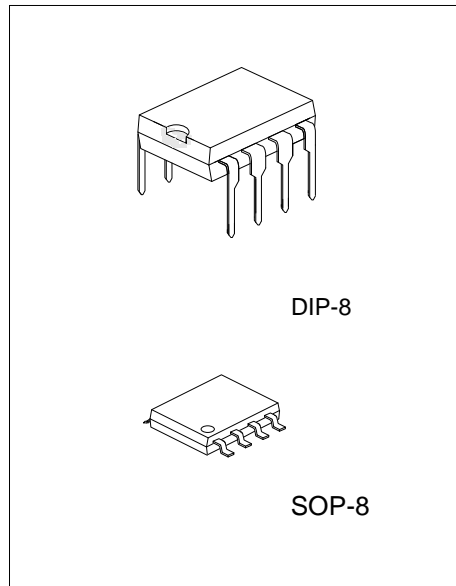
1.2W AUDIO POWER AMPLIFIER

DESCRIPTION

The UTC TBA820M is a monolithic integrated audio amplifier. It is designed for audio frequency class b amplifier.

FEATURES

- *Wide operating supply voltage: $V_{CC}=3\sim 14V$
- *Medium output power
 $P_{OUT}=1.2W$ at $V_{CC}=9V, R_L=8\Omega, THD=10\%$
- *Low quiescent circuit current: $I_Q=4mA$ (type)
- *Good ripple rejection.
- *Minimum number of external parts required.



ORDERING INFORMATION

Ordering Number		Package	Packing
Lead Free	Halogen Free		
TBA820ML-D08-T	TBA820MG-D08-T	DIP-8	Tube
TBA820ML-S08-R	TBA820MG-S08-R	SOP-8	Tape Reel

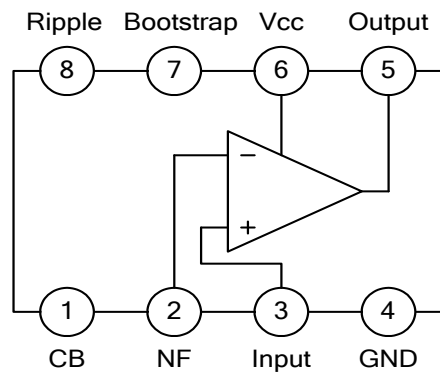
<p>TBA820MG-D08-T</p> <p>(1)Packing Type (2)Package Type (3)Green Package</p>	<p>(1) T: Tube, R: Tape Reel (2) D08: DIP-8, S08: SOP-8 (3) G: Halogen Free and Lead Free, L: Lead Free</p>
---	---

MARKING

DIP-8	SOP-8
<p>UTC □□□□ → Date Code TBA820M □ → L: Lead Free □ → G: Halogen Free □ → Lot Code</p>	<p>UTC □□□□ → Date Code TBA820M □ → L: Lead Free □ → G: Halogen Free □ → Lot Code</p>



■ BLOCK DIAGRAM



■ ABSOLUTE MAXIMUM RATINGS (T_A=25°C, unless otherwise specified)

PARAMETER	SYMBOL	RATINGS	UNIT
Supply Voltage	V _{CC}	16	V
Output Peak Current	I _{O(peak)}	1.5	A
Power Dissipation	P _D	+1.25	W
Operating Temperature	T _{OPR}	-20 ~ +85	°C
Storage Temperature	T _{STG}	-40 ~ +150	°C

Note:1. Absolute maximum ratings are stress ratings only and functional device operation is not implied. The device could be damaged beyond Absolute maximum ratings.

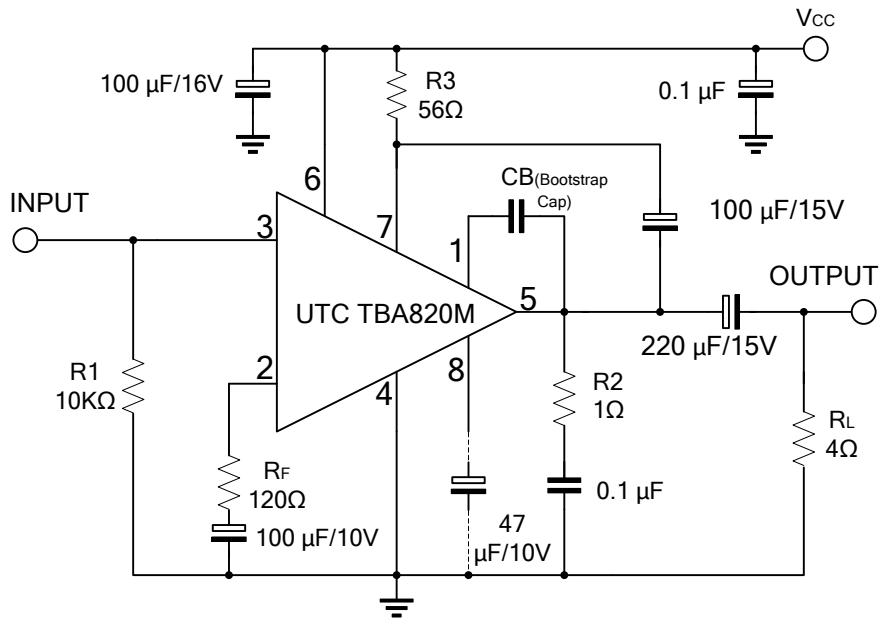
2. The device is guaranteed to meet performance specifications within 0°C~70°C operating temperature range and assured by design from -20°C~85°C.

■ ELECTRICAL CHARACTERISTICS

(T_A=25°C, V_{CC}=9V, F=1KHz, R_G=600Ω, R_F=120Ω, R_L=8Ω, unless otherwise specified)

PARAMETER	SYMBOL	TEST CONDITIONS	MIN	TYP	MAX	UNIT
Quiescent Current	I _Q	V _{IN} =0		4	12	mA
Output Power	P _{OUT}	V _{CC} =9V, R _L =4Ω, THD=10%		1.6		W
		V _{CC} =9V, R _L =8Ω, THD=10%	0.9	1.2		W
		V _{CC} =6V, R _L =4Ω, THD=10%		0.75		W
		V _{CC} =6V, R _L =8Ω, THD=10%	0.4	0.5		W
		V _{CC} =12V, R _L =8Ω, THD=10%		2		W
Total Harmonic Distortion	THD	P _{OUT} =500mW		0.3	1	%
Open Loop Voltage Gain	G _{vo}	R _F =0		75		dB
Closed Loop Voltage Gain	G _{vc}	R _F =120Ω	33	36	39	dB
Input Resistance	R _{IN}			5		MΩ
Output Noise Voltage	e _N	R _G =10kΩ, BW(-3dB)=50~20kHz		0.3	1	mV

■ TEST CIRCUIT



■ TYPICAL CHARACTERISTICS

Fig 1 Quiescent circuit current vs Supply Voltage

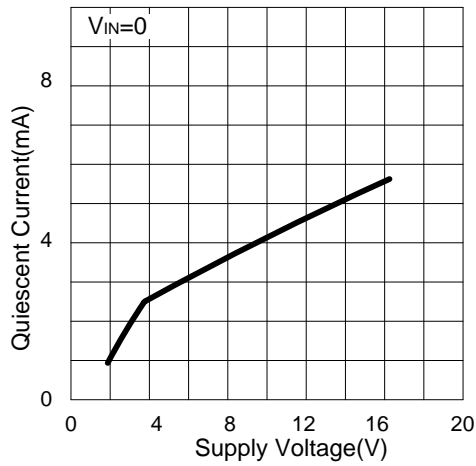


Fig 2 Output power vs Supply Voltage

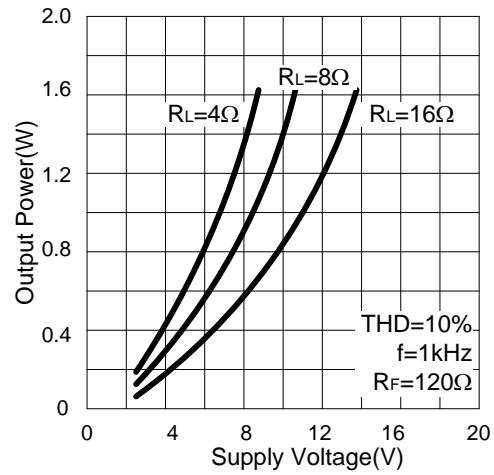


Fig 3 Total harmonic Distortion vs Output power

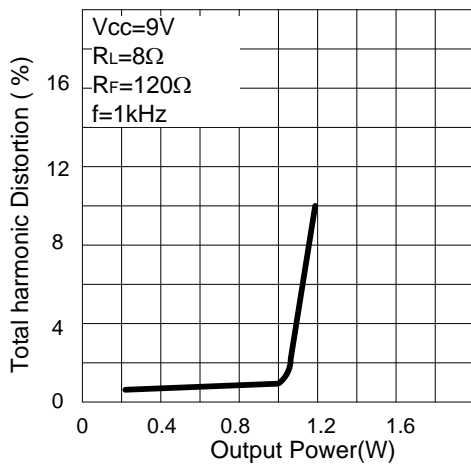


Fig 4 Voltage Gain vs Feedback resistance

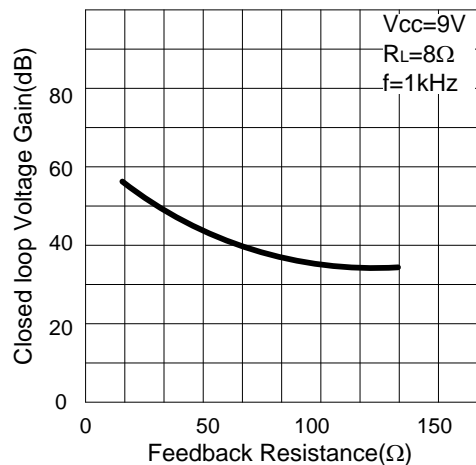


Fig 5 Power Dissipation vs Output power

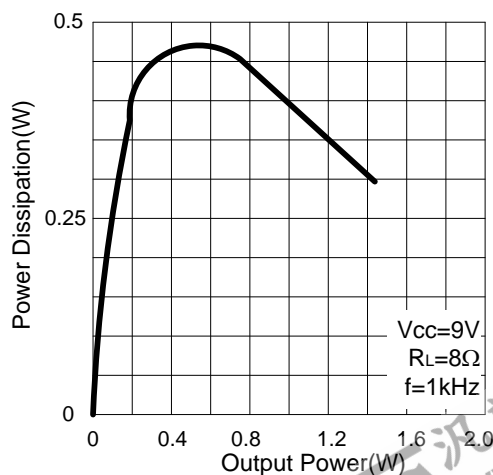
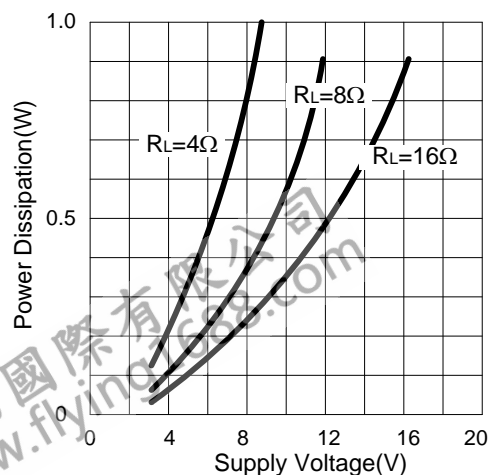


Fig 6 Power Dissipation vs Supply Voltage



■ TYPICAL CHARACTERISTICS (Cont.)

Fig 7 Frequency response

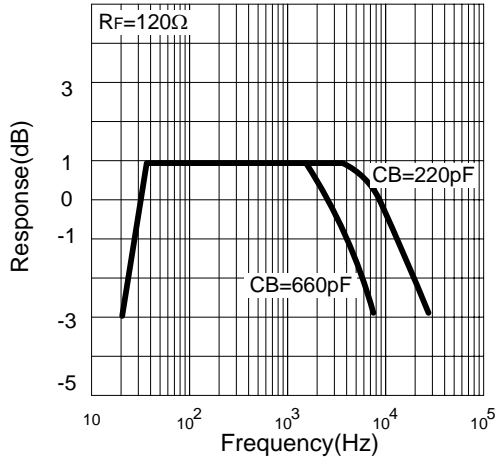
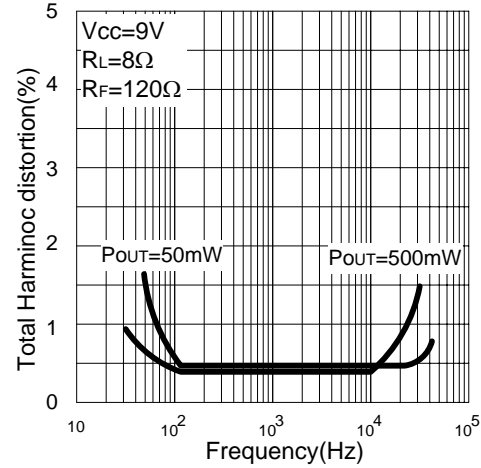


Fig 8 Total Harmonic distortion vs frequency



UTC assumes no responsibility for equipment failures that result from using products at values that exceed, even momentarily, rated values (such as maximum ratings, operating condition ranges, or other parameters) listed in products specifications of any and all UTC products described or contained herein. UTC products are not designed for use in life support appliances, devices or systems where malfunction of these products can be reasonably expected to result in personal injury. Reproduction in whole or in part is prohibited without the prior written consent of the copyright owner. UTC reserves the right to make changes to information published in this document, including without limitation specifications and product descriptions, at any time and without notice. This document supersedes and replaces all information supplied prior to the publication hereof.