



TC200

NPN EPITAXIAL SILICON TRANSISTOR

EPITAXIAL PLANAR NPN TRANSISTOR

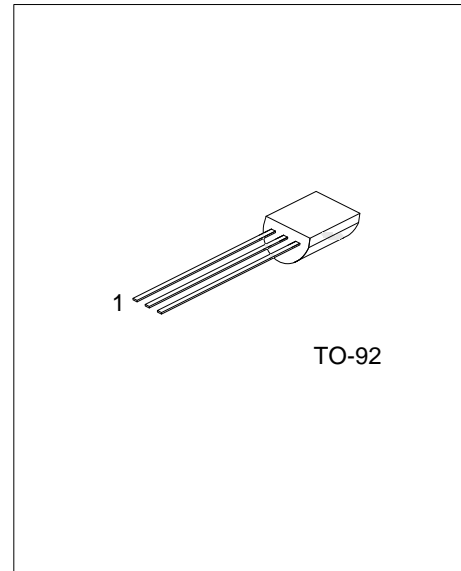
DESCRIPTION

The UTC **TC200** is an epitaxial planar NPN transistor; it uses UTC's advanced technology to provide the customers with high DC current gain and low collector-emitter saturation voltage, etc.

The UTC **TC200** is suitable for general purpose and switching application, etc.

FEATURES

- * High DC current gain
- * Low Collector-Emitter Saturation Voltage



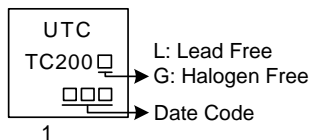
ORDERING INFORMATION

Ordering Number		Package	Pin Assignment			Packing
Lead Free	Halogen Free		1	2	3	
TC200L-x-T92-B	TC200G-x-T92-B	TO-92	E	C	B	Tape Box
TC200L-x-T92-K	TC200G-x-T92-K	TO-92	E	C	B	Bulk

Note: Pin Assignment: C: Collector B: Base E: Emitter

<p>TC200G-x-T92-B</p>	<p>(1) B: Tape Box, K: Bulk (2) T92: TO-92 (3) refer to CLASSIFICATION OF h_{FE1} (4) G: Halogen Free and Lead Free, L: Lead Free</p>
-----------------------	---

MARKING



TC200

NPN EPITAXIAL SILICON TRANSISTOR

■ ABSOLUTE MAXIMUM RATINGS ($T_A=25^\circ\text{C}$, unless otherwise specified)

PARAMETER	SYMBOL	RATINGS	UNIT
Collector-Base Voltage	V_{CBO}	60	V
Collector-Emitter Voltage	V_{CEO}	45	V
Emitter-Base Voltage	V_{EBO}	5	V
Collector Current	I_C	500	mA
Emitter Current	I_E	-500	mA
Collector Power Dissipation	P_C	625	mW
Junction Temperature	T_J	150	$^\circ\text{C}$
Storage Temperature	T_{STG}	-55 ~ 150	$^\circ\text{C}$

Note: Absolute maximum ratings are those values beyond which the device could be permanently damaged. Absolute maximum ratings are stress ratings only and functional device operation is not implied.

■ ELECTRICAL CHARACTERISTICS ($T_A=25^\circ\text{C}$, unless otherwise specified)

PARAMETER	SYMBOL	TEST CONDITIONS	MIN	TYP	MAX	UNIT
Collector Cut-Off Current	I_{CBO}	$V_{CB}=50\text{V}, I_E=0$			0.1	μA
Emitter Cut-Off Current	I_{EBO}	$V_{EB}=5\text{V}, I_C=0$			0.1	μA
DC Current Gain	h_{FE1}	$V_{CE}=2\text{V}, I_C=50\text{mA}$	70		240	
	h_{FE2}	$V_{CE}=2\text{V}, I_C=200\text{mA}$	25			
Collector-Emitter Saturation Voltage	$V_{CE(sat)}$	$I_C=100\text{mA}, I_B=10\text{mA}$			0.25	V
Base-Emitter Voltage	V_{BE}	$V_{CE}=2\text{V}, I_C=200\text{mA}$			1.0	V
Current Gain Bandwidth Product	f_T	$V_{CE}=6\text{V}, I_C=20\text{mA}$		300		MHz
Output Capacitance	C_{ob}	$V_{CB}=6\text{V}, I_E=0, f=1\text{MHz}$		7.0		pF

■ CLASSIFICATION OF h_{FE1}

RANK	O	Y
h_{FE1}	70 ~ 140	120 ~ 240

UTC assumes no responsibility for equipment failures that result from using products at values that exceed, even momentarily, rated values (such as maximum ratings, operating condition ranges, or other parameters) listed in products specifications of any and all UTC products described or contained herein. UTC products are not designed for use in life support appliances, devices or systems where malfunction of these products can be reasonably expected to result in personal injury. Reproduction in whole or in part is prohibited without the prior written consent of the copyright owner. UTC reserves the right to make changes to information published in this document, including without limitation specifications and product descriptions, at any time and without notice. This document supersedes and replaces all information supplied prior to the publication hereof.