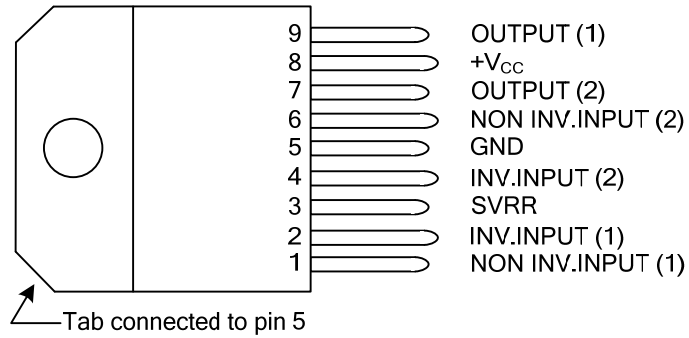


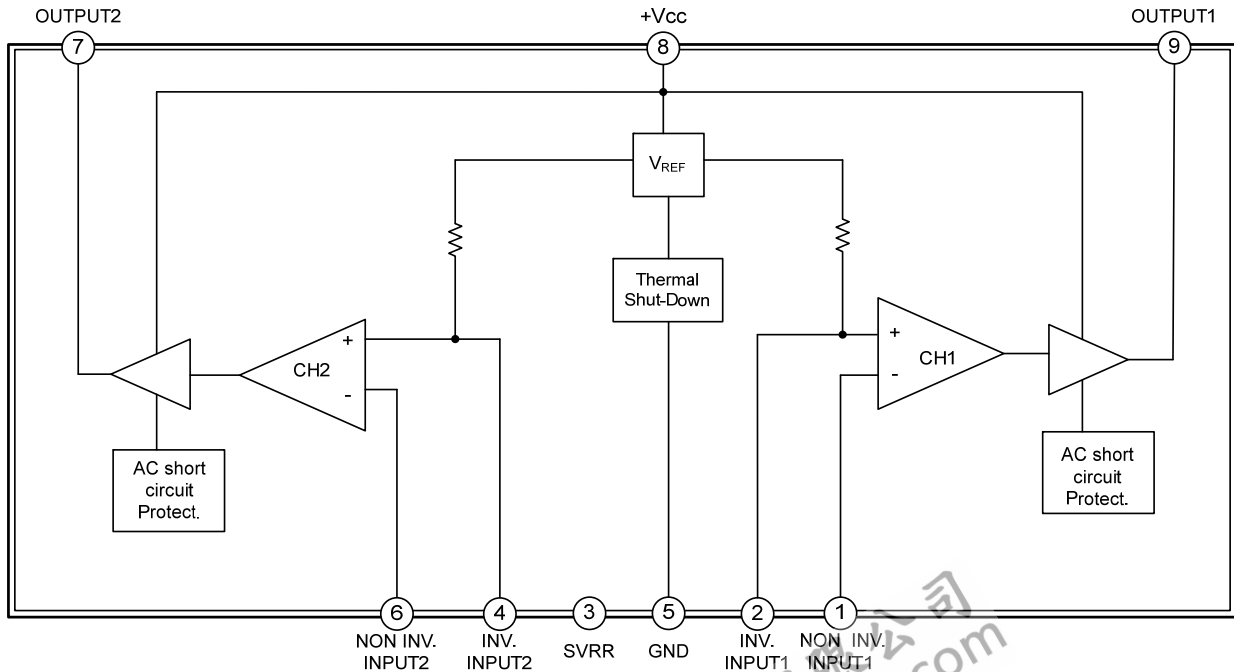
■ PIN CONFIGURATION



■ PIN DESCRIPTION

PIN NO.	PIN NAME	DESCRIPTION
1	NON INV.INPUT1	Non-inverting input1
2	INV.INPUT1	Inverting input1
3	SVRR	Internal 1/2 V _{CC} supply rejection
4	INV.INPUT2	Inverting input2
5	GND	Ground
6	NON INV.INPUT2	Non-inverting input2
7	OUTPUT2	Output2
8	+V _{CC}	Supply voltage
9	OUTPUT1	Output1

■ BLOCK DIAGRAM



■ ABSOLUTE MAXIMUM RATINGS

PARAMETER		SYMBOL	RATINGS	UNIT
Supply Voltage		V_{CC}	28	V
Peak Output Current	repetitive, $f \geq 20\text{Hz}$	$I_{O(PEAK)}$	3.5	A
	non repetitive, $t_p=100\mu\text{s}$		4.5	A
Power Dissipation ($T_C = 90^\circ\text{C}$)		P_D	20	W
Junction Temperature		T_J	+150	$^\circ\text{C}$
Storage Temperature		T_{STG}	-40 ~ +150	$^\circ\text{C}$

Note: Absolute maximum ratings are those values beyond which the device could be permanently damaged. Absolute maximum ratings are stress ratings only and functional device operation is not implied.

■ THERMAL DATA

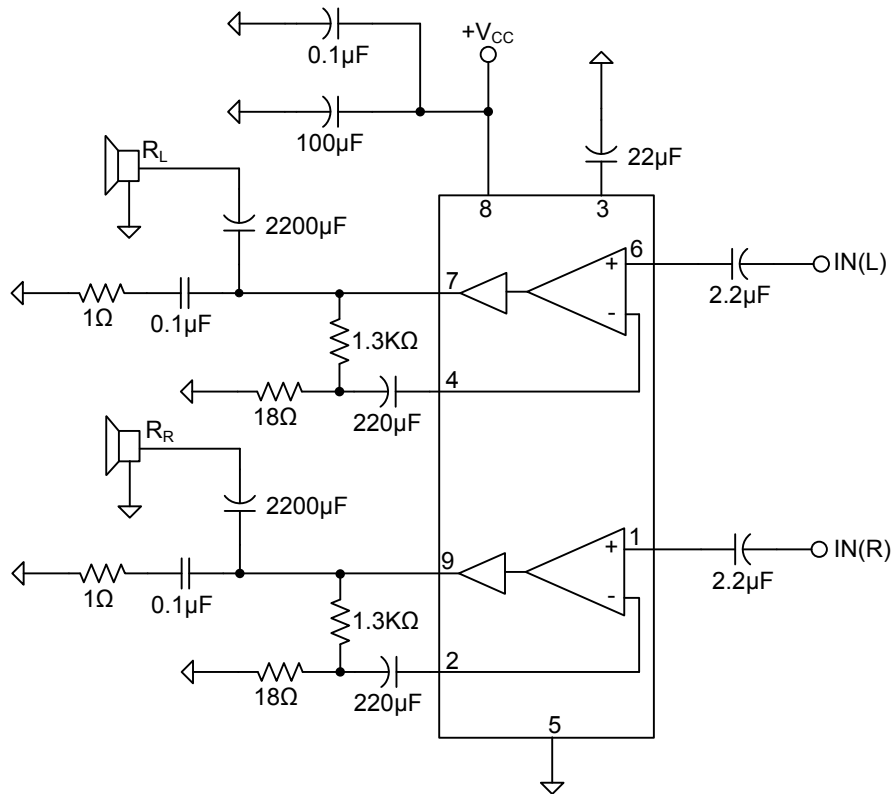
PARAMETER	SYMBOL	RATING	UNIT
Junction to Case	θ_{JC}	3	$^\circ\text{C/W}$

■ ELECTRICAL CHARACTERISTICS

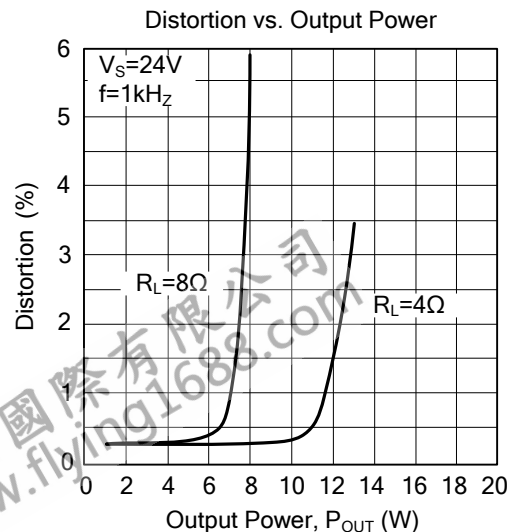
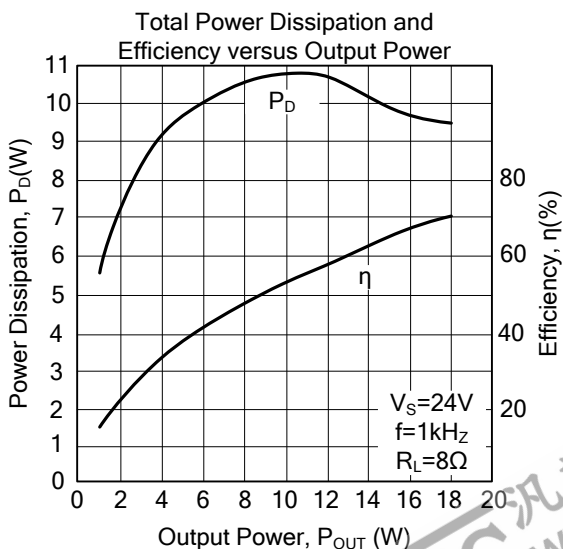
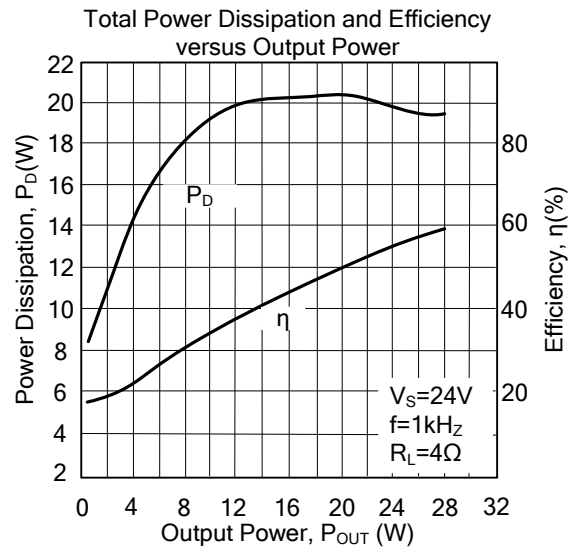
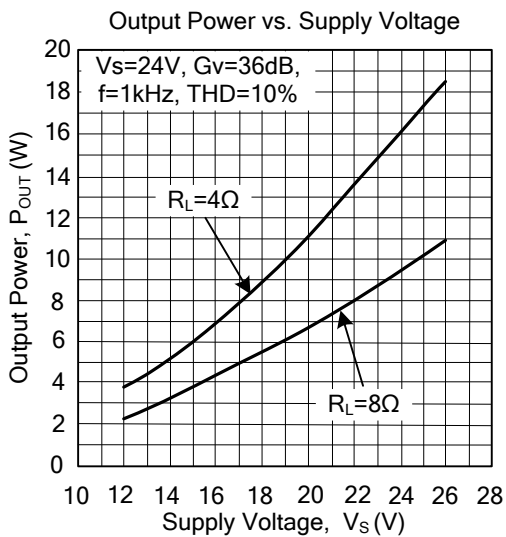
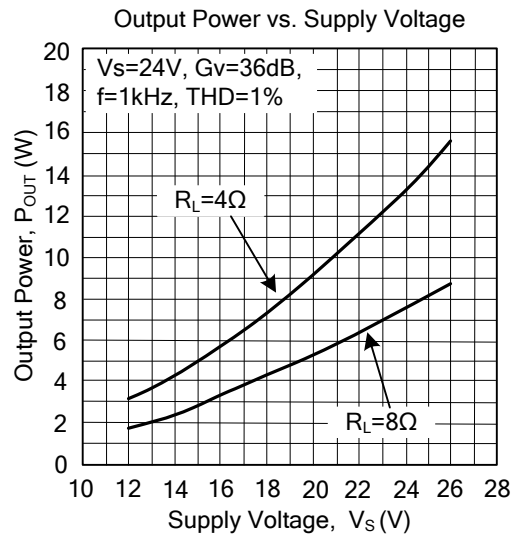
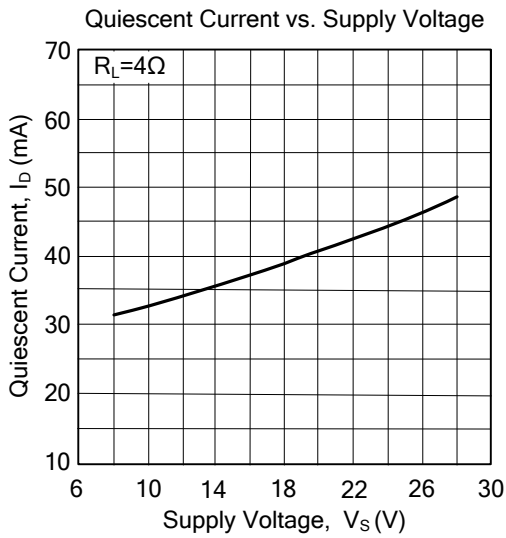
(Refer to test circuit, $T_A = 25^\circ\text{C}$, $V_{CC} = 24\text{V}$, $G_V = 36\text{dB}$, unless otherwise specified)

PARAMETER		SYMBOL	TEST CONDITIONS	MIN	TYP	MAX	UNIT
Supply Voltage		V_{CC}		8		28	V
Quiescent Output Voltage		V_{OUT}	$V_{CC} = 24\text{V}$		11.5		V
Input Saturation Voltage (rms)		$V_{IN(SAT)}$		300			mV
Total Input Noise Voltage		e_N	$R_g = 10\text{K}\Omega$, 22Hz~22KHz		2.5	8	μV
Total Quiescent Drain Current		I_Q	$V_{CC} = 24\text{V}$		60	120	mA
Output Power for each channel	$R_L=4\Omega$	P_{OUT}	THD=1%, $V_{CC}=24\text{V}$, $f=1\text{kHz}$		12.5		W
	$R_L=8\Omega$				7		W
	$R_L=4\Omega$		$f = 40\text{Hz} \sim 12.5\text{kHz}$	10			W
	$R_L=8\Omega$			5			W
	$R_L=4\Omega$		$V_{CC} = 18\text{V}$, $f = 1\text{kHz}$		7		W
	$R_L=8\Omega$				4		W
Total Harmonic Distortion for each channel	$R_L=4\Omega$	THD	$V_{CC}=24\text{V}$, $f = 1\text{kHz}$	$P_{OUT} = 0.1\sim 7.0\text{W}$	0.2		%
	$R_L=8\Omega$			$P_{OUT} = 0.1\sim 3.5\text{W}$	0.1		%
	$R_L=4\Omega$		$V_{CC}=18\text{V}$	$P_{OUT} = 0.1\sim 5.0\text{W}$	0.2		%
	$R_L=8\Omega$			$P_{OUT} = 0.1\sim 2.5\text{W}$	0.1		%
Input Resistance		R_{IN}	$f = 1\text{kHz}$, Non-Inverting Input	70	200		k Ω
Frequency Roll off (-3dB)	Low	f_L	$R_L = 4\Omega$		20		Hz
	High	f_H	$R_L = 4\Omega$		80		kHz
Closed Loop Voltage Gain		G_V	$f = 1\text{kHz}$	35.5	36	36.5	dB
Closed Loop Gain Matching		ΔG_V			0.5		dB
Cross Talk	$f = 1\text{kHz}$	CT	$R_L = \infty$, $R_g = 10\text{K}\Omega$		60		dB
	$f = 10\text{kHz}$				50		dB
Supply Voltage Rejection for each channel		SVR	$f_{RIPPLE} = 100\text{Hz}$, $V_{RIPPLE} = 0.5\text{V}$, $R_g = 10\text{k}\Omega$		55		dB
Thermal Shut-Down Junction Temp.					145		$^\circ\text{C}$

■ TEST AND APPLICATION CIRCUIT ($G_v = 36\text{dB}$)



TYPICAL CHARACTERISTICS



UTC assumes no responsibility for equipment failures that result from using products at values that exceed, even momentarily, rated values (such as maximum ratings, operating condition ranges, or other parameters) listed in products specifications of any and all UTC products described or contained herein. UTC products are not designed for use in life support appliances, devices or systems where malfunction of these products can be reasonably expected to result in personal injury. Reproduction in whole or in part is prohibited without the prior written consent of the copyright owner. The information presented in this document does not form part of any quotation or contract, is believed to be accurate and reliable and may be changed without notice.