



TL062

LINEAR INTEGRATED CIRCUIT

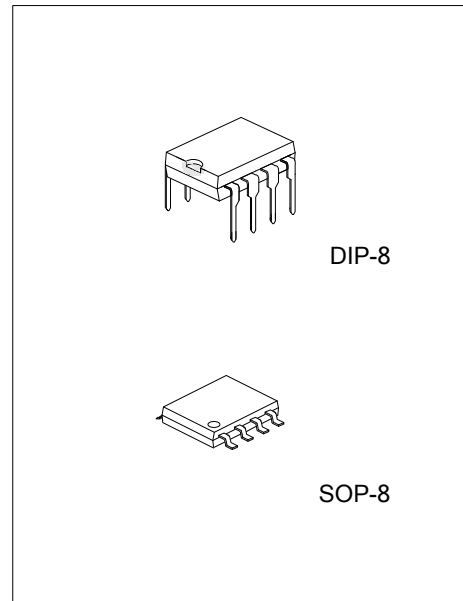
LOW POWER DUAL J-FET OPERATIONAL AMPLIFIER

DESCRIPTION

The UTC TL062 is a high speed J-FET input dual operational amplifier. It incorporates well matched, high voltage J-FET and bipolar transistors in a monolithic integrated circuit. The device features high slew rates, low input bias and offset currents, and low offset voltage temperature coefficient.

FEATURES

- * Very low power consumption
- * Wide common-mode (up to V_{CC+}) and differential voltage range
- * Low input bias and offset current
- * Output short-circuit protection
- * High input impedance J-FET input stage
- * Internal frequency compensation
- * Latch up free operation
- * Typical supply current: 400 μ A

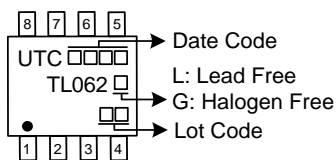


ORDERING INFORMATION

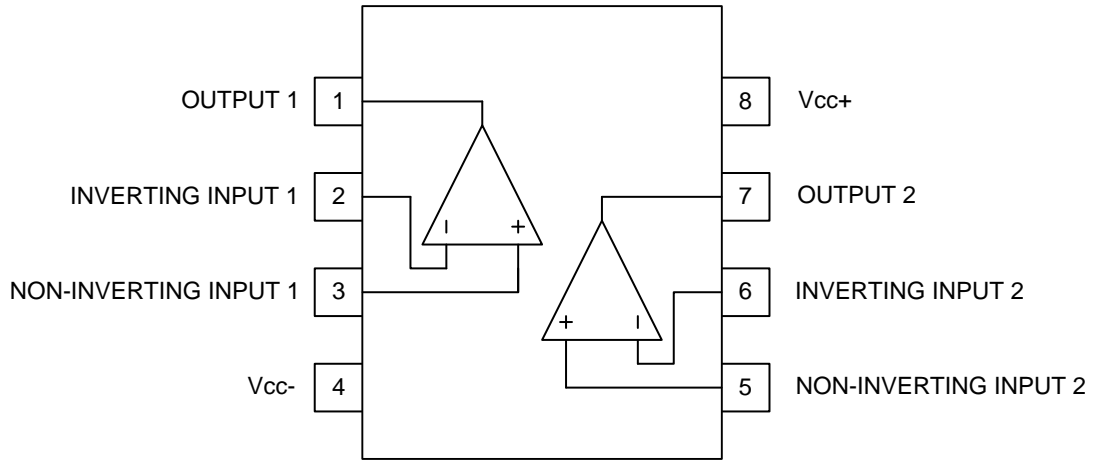
Ordering Number		Package	Packing
Lead Free	Halogen Free		
TL062L-S08-R	TL062G-S08-R	SOP-8	Tape Reel

<p>TL062G-S08-R</p> <p>(1)Packing Type</p> <p>(2)Package Type</p> <p>(3)Green Package</p>	<p>(1) R: Tape Reel</p> <p>(2) S08: SOP-8</p> <p>(3) G: Halogen Free and Lead Free, L: Lead Free</p>
---	--

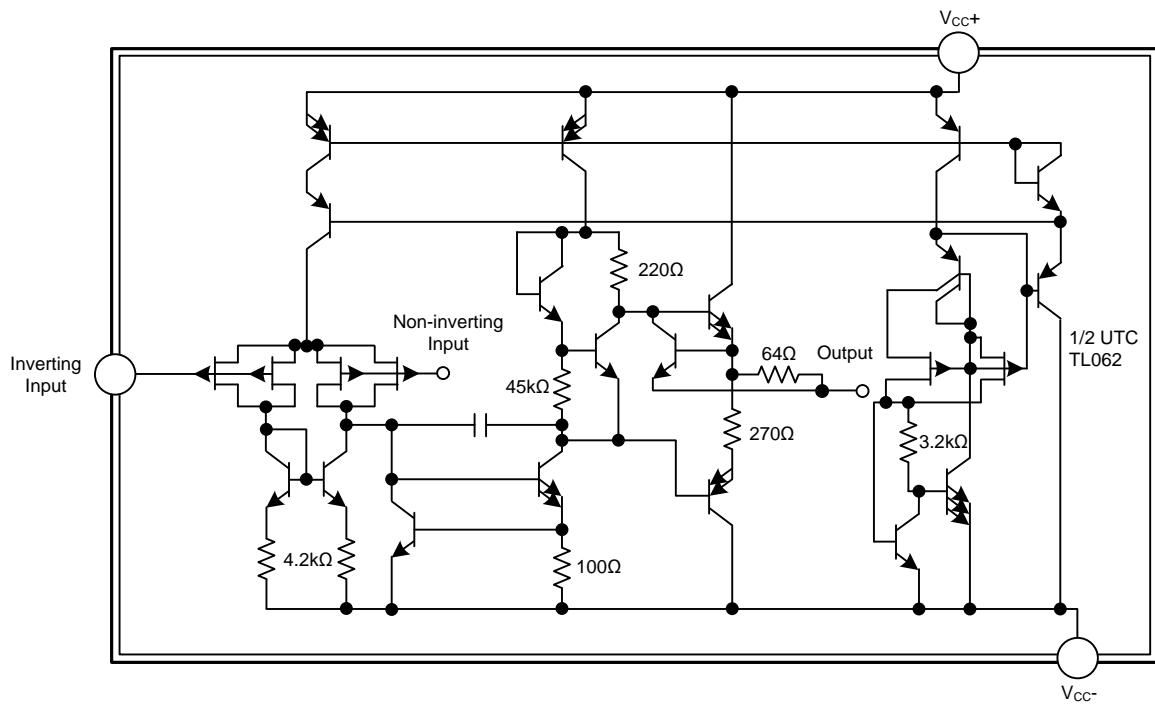
MARKING



■ PIN CONFIGURATIONS



■ BLOCK DIAGRAM



■ ABSOLUTE MAXIMUM RATINGS (T_A=25°C, unless otherwise specified)

PARAMETER	SYMBOL	RATINGS	UNIT
Supply Voltage (note 2)	V _{CC}	±18	V
Input Voltage (note 3)	V _{IN}	±15	V
Differential Input Voltage (note 4)	V _{I(DIFF)}	±30	V
Power Dissipation	P _D	680	mW
Output Short-Circuit Duration (Note 5)		Infinite	
Operating Temperature	T _{OPR}	0 ~ +70	°C
Storage Temperature	T _{STG}	-65 ~ +150	°C

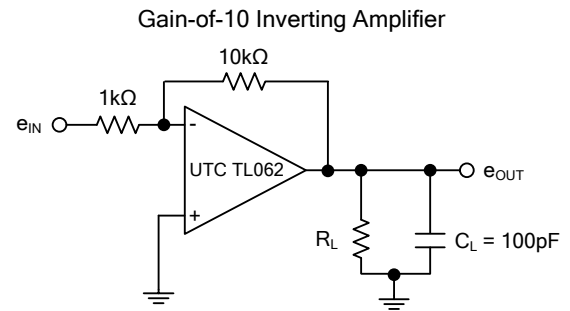
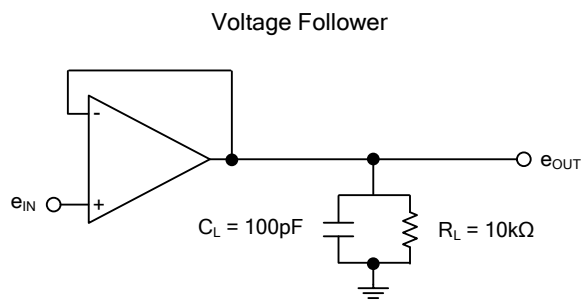
- Notes: 1. Absolute maximum ratings are those values beyond which the device could be permanently damaged. Absolute maximum ratings are stress ratings only and functional device operation is not implied.
2. All voltage values, except differential voltage, are with respect to the zero reference level (ground) of the supply voltages where the zero reference level is the midpoint between V_{CC-} and V_{CC+}.
3. The magnitude of the input voltage must never exceed the magnitude of the supply voltage or 15 volts, whichever is less.
4. Differential voltages are at the non-inverting input terminal with respect to the inverting input terminal.
5. The output may be shorted to ground or to either supply. Temperature and/or supply voltages must be limited to ensure that the dissipation rating is not exceeded.

■ ELECTRICAL CHARACTERISTICS (V_{CC}=±15V, T_A=25°C, unless otherwise specified)

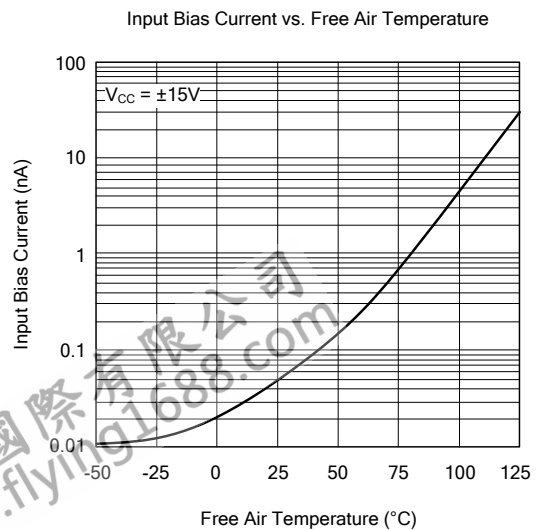
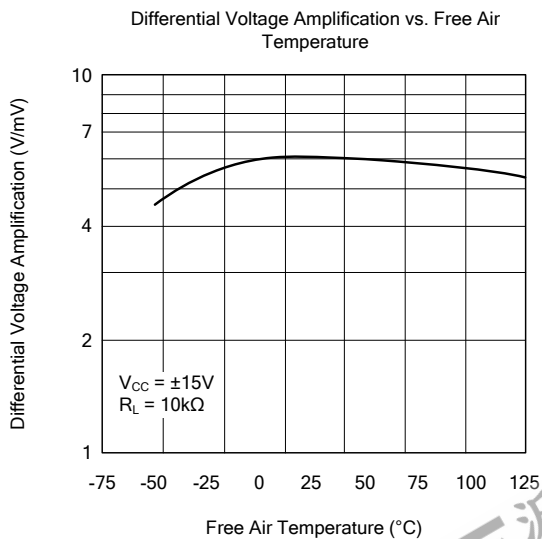
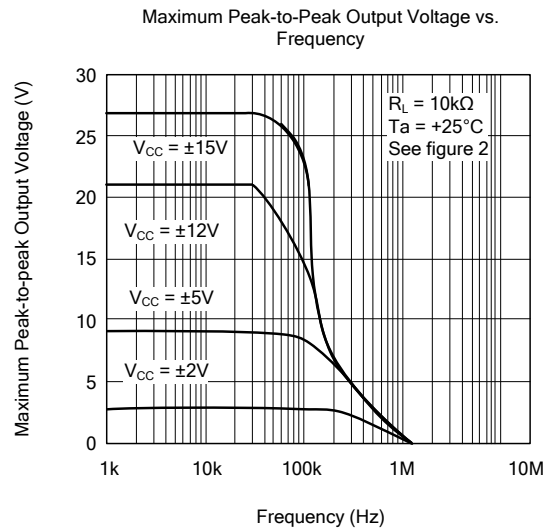
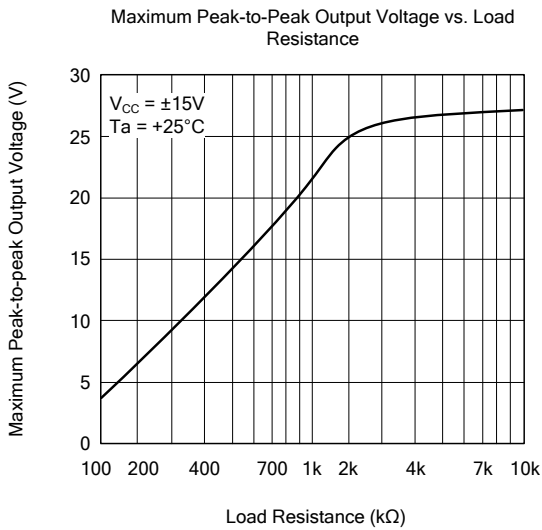
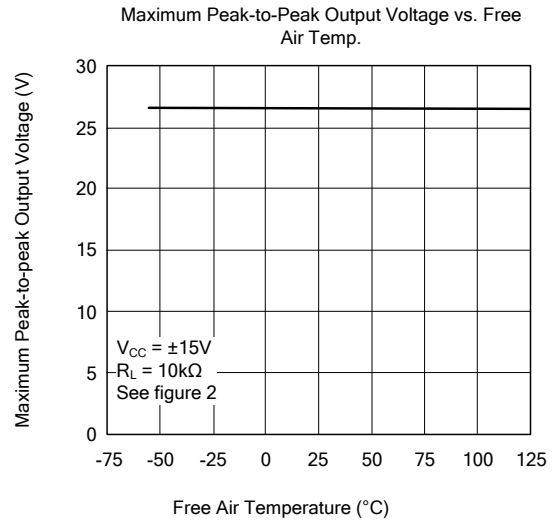
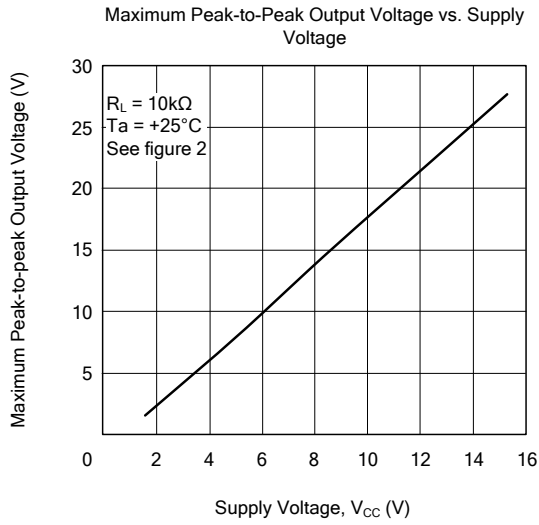
PARAMETER	SYMBOL	TEST CONDITIONS	MIN	TYP	MAX	UNIT
Input Offset Voltage	V _{I(OFF)}	R _S =50Ω	T _A =25°C	3	15	mV
			T _{MIN} ≤ T _a ≤ T _{MAX}		20	mV
Input Common Mode Voltage	V _{I(CM)}		±11	-12~+15		V
Output Voltage Swing	V _{O(SW)}	R _L =10kΩ, C _L =100pF	T _A =25°C	20	27	V
			T _{MIN} ≤ T _a ≤ T _{MAX}	20		V
Large Signal Voltage Gain	G _v	R _L =10Ω, V _{OUT} =±10V	T _A =25°C	3	6	V/mV
			T _{MIN} ≤ T _a ≤ T _{MAX}	3		V/mV
Temperature Coefficient of Input Offset Voltage	ΔV _{I(OFF)}	R _S =50Ω		10		μV/°C
Supply Current	I _{CC}	T _a =25°C, no load, no signal		400	500	μA
Input Offset Current*	I _{I(OFF)}	T _a =25°C		5	200	pA
		T _{MIN} ≤ T _a ≤ T _{MAX}			5	nA
Input Bias Current*	I _{I(BIAS)}	T _a =25°C		30	400	pA
		T _{MIN} ≤ T _a ≤ T _{MAX}			10	nA
Gain Bandwidth Product	GB _W	T _a =25°C, R _L =10kΩ, C _L =100pF		1		MHz
Input Resistance	R _{IN}			10 ¹²		Ω
Common Mode Rejection Ratio	CMR	R _S =50Ω	70	76		dB
Supply Voltage Rejection Ratio	SVR	R _S =50Ω	70	95		dB
Slew Rate	SR	V _{IN} =10V, R _L =10kΩ, C _L =100pF, G _v =1	0.91	1.1		V/μs
Channel Separation	$\frac{VO1}{VO2}$	G _v =100, T _a =25°C		120		dB
Total Power Consumption		T _a =25°C, no load, no signal		6	7.5	mW
Rise Time	t _r	V _{IN} =20mV, R _L =10kΩ, C _L =100pF, G _v =1		0.2		μs
Overshoot Factor	K _{ov}	V _{IN} =20mV, R _L =10kΩ, C _L =100pF, G _v =1		10		%
Equivalent Input Noise Voltage	e _N	R _S =100Ω, f=1KHz		42		

Note: The Input bias currents of a FET-input operational amplifier are normal junction reverse currents, which are temperature sensitive. Pulse techniques must be used that will maintain the junction temperature as close to the ambient temperature as possible.

PARAMETER MEASUREMENT INFORMATION

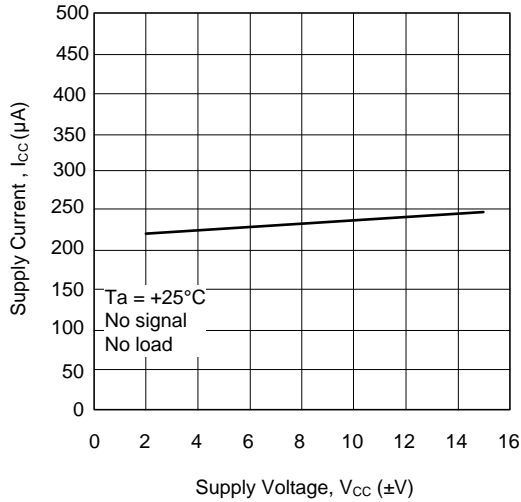


TYPICAL CHARACTERISTICS

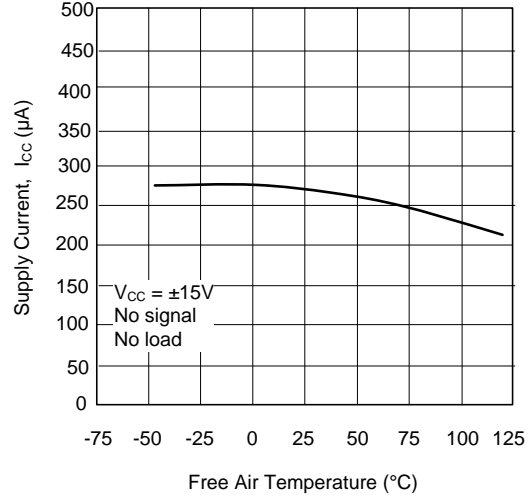


■ TYPICAL CHARACTERISTICS(Cont.)

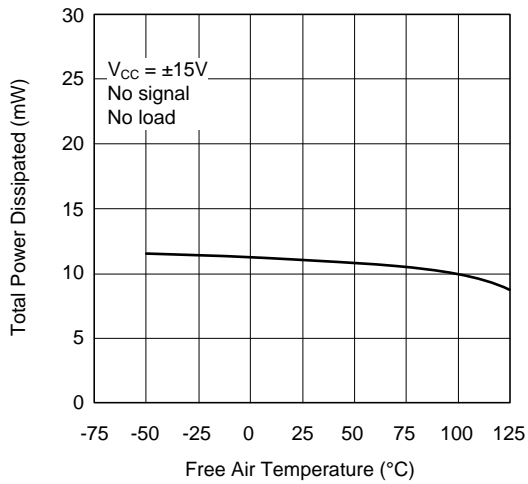
Supply Current Per Amplifier vs. Supply Voltage



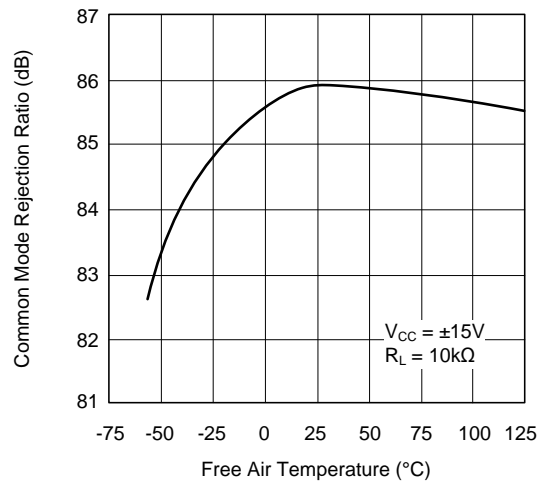
Supply Current Per Amplifier vs. Free Air Temperature



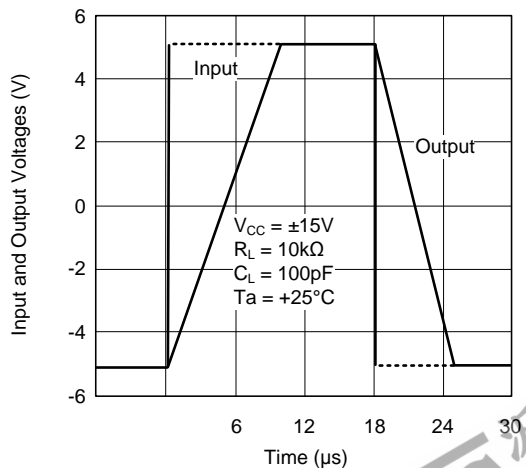
Total Power Dissipated vs. Free Air Temperature



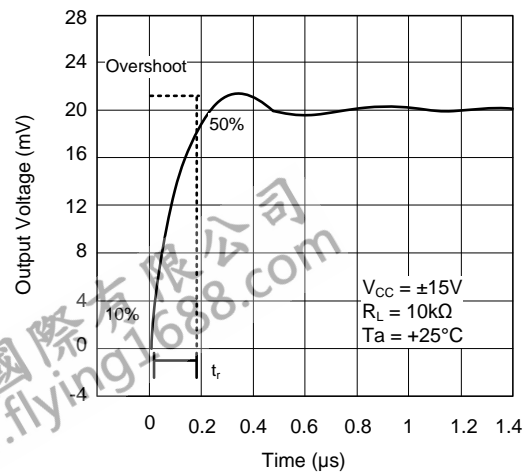
Common Mode Rejection Ratio vs. Free Air Temperature



Voltage Follower Large Signal Pulse Response



Output Voltage vs. Elapsed Time



UTC assumes no responsibility for equipment failures that result from using products at values that exceed, even momentarily, rated values (such as maximum ratings, operating condition ranges, or other parameters) listed in products specifications of any and all UTC products described or contained herein. UTC products are not designed for use in life support appliances, devices or systems where malfunction of these products can be reasonably expected to result in personal injury. Reproduction in whole or in part is prohibited without the prior written consent of the copyright owner. UTC reserves the right to make changes to information published in this document, including without limitation specifications and product descriptions, at any time and without notice. This document supersedes and replaces all information supplied prior to the publication hereof.