



TL594

LINEAR INTEGRATED CIRCUIT

PULSE-WIDTH-MODULATION CONTROL CIRCUIT

DESCRIPTION

The UTC **TL594** is a PWM (Pulse Width Modulation) control circuit, incorporating two error amplifiers, an on-chip adjustable oscillator, a DTC (Deadtime Control) comparator, a pulse-steering control flip-flop, a regulator rated 5V with 1% accuracy, an UVLO (Undervoltage Lockout) control circuit and an output control circuit.

The two error amplifiers have a common-mode voltage varies from -0.3 V to $V_{CC}-2$ V. The DTC comparator with a fixed-offset offers dead time nearly 5%. The UVLO circuit forbids the output until the internal circuitry is operational. The internal oscillator is used to drive the common circuits in synchronous multiple-rail power supplies, when be bypassed by terminating RT to the reference output and providing an external input of sawtooth to CT.

The uncommitted output transistors have the capabilities of either common-emitter or emitter-follower output. The output control can select the push-pull or single-ended output operation for each device. This chip is not allowed to appear the double pulse status for either output during push-pull output operation due to its structure.

The UTC **TL594** is generally used for the power supply control circuits, which apply to a large area.

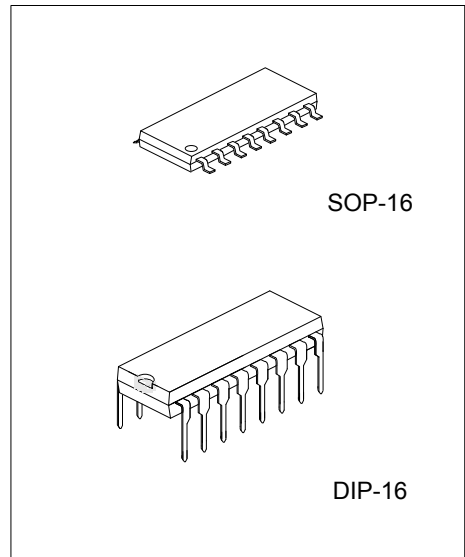
FEATURES

- * Adjustable dead time
- * Uncommitted outputs transistor rated to 200mA sink or source current
- * Single-Ended or Push-Pull operation selected by output control
- * Double pulse is not allowed at either output due to its architecture
- * 5V Internal reference voltage (1% accuracy)
- * UVLO under the low V_{CC} status

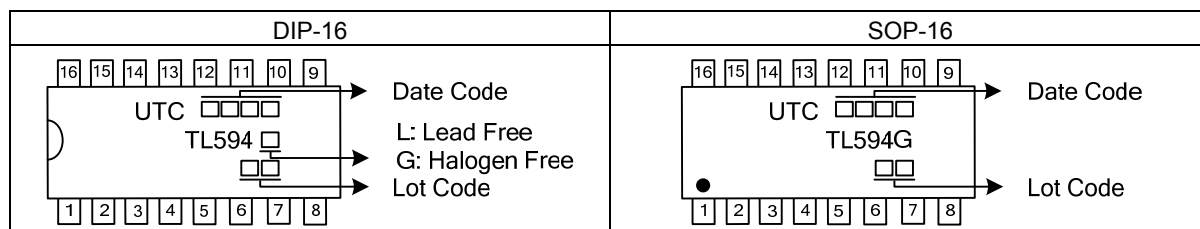
ORDERING INFORMATION

Order Number		Package	Packing
Lead Free	Halogen Free		
TL594L-D16-T	TL594G-D16-T	DIP-16	Tube
-	TL594G-S16-R	SOP-16	Tape Reel

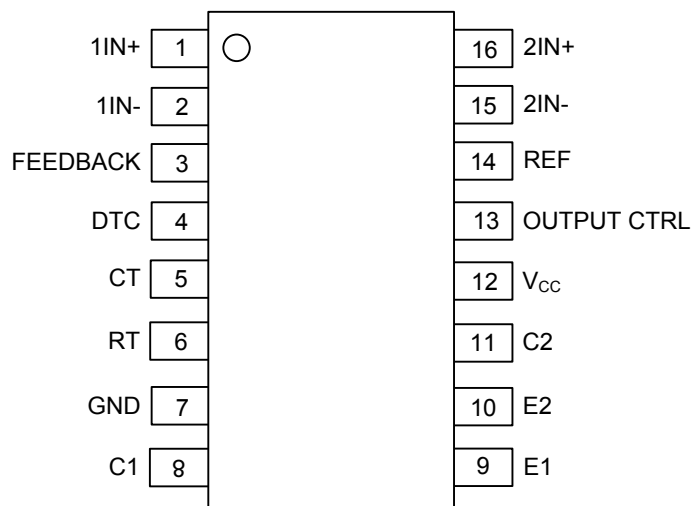
<p>TL594L-D16-T</p> <p>(1)Packing Type (2)Package Type (3)Green Package</p>	<p>(1) R: Tape Reel, T: Tube (2) D16: DIP-16, S16: SOP-16 (3) L: Lead Free, G: Halogen Free and Lead Free</p>
---	---



MARKING

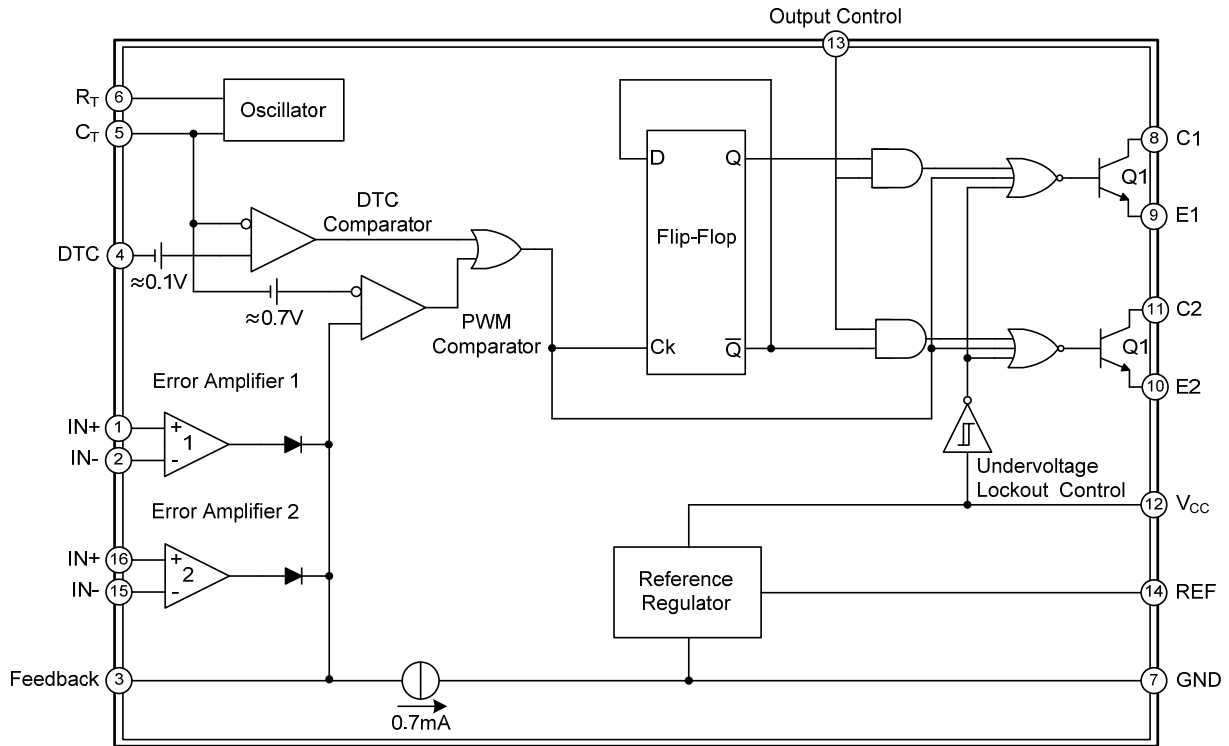


PIN CONFIGURATION



PIN NO	PIN NAME	DESCRIPTION
1	1IN+	The noninv input of error amp 1
2	1IN-	The inv input of error amp 1
3	REEDBACK	Input of Feedback PWM Comparator
4	DTC	The deadtime can be set by changing the voltage of this pin
5	CT	A capacitor connected to this pin sets the fixed switching frequency
6	RT	A resistor connected to this pin sets the fixed switching frequency
7	GND	This is gnd pin
8	C1	Collector of output transistors Q1
9	E1	Emitter of output transistors Q1
10	E2	Emitter of output transistors Q2
11	C2	Collector of output transistors Q2
12	VCC	This pin is connected to the IC supply power.
13	Output CTRL	A external signal connect to this pin can control the state of output
14	REF	Internal reference voltage 5V with 1.5% accuracy
15	2IN-	The inv input of error amp 2
16	2IN+	The noninv input of error amp 2

■ BLOCK DIAGRAM



■ FUNCTION TABLE

INPUT	OUTPUT FUNCTION
Output CTRL	
$V_I = 0$	Single-Ended or Parallel Output
$V_I = V_{REF}$	Normal Push-Pull Operation

■ ABSOLUTE MAXIMUM RATINGS (unless otherwise specified)

PARAMETER	SYMBOL	RATINGS	UNIT
Supply Voltage	V_{CC}	41	V
Amplifier Input Voltage	V_{IN}	$V_{CC} + 0.3$	V
Collector Output Voltage	V_{C1}, V_{C2}	41	V
Collector Output Current	I_{C1}, I_{C2}	250	mA
Junction Temperature	T_J	+150	°C
Operating Temperature	T_{OPR}	-40 ~ +85	°C
Storage Temperature	T_{STG}	-65 ~ +150	°C

Note: Absolute maximum ratings are those values beyond which the device could be permanently damaged. Absolute maximum ratings are stress ratings only and functional device operation is not implied.

■ THERMAL DATA

PARAMETER	SYMBOL	RATINGS	UNIT
Junction to Ambient (Note)	DIP-16	θ_{JA}	°C/W
	SOP-16		
		67	
		64	

Note: Maximum power dissipation is a function of $T_{J(MAX)}$, θ_{JA} , and T_a . The maximum allowable power dissipation at any allowable ambient temperature is $P_D = (T_{J(MAX)} - T_a) / \theta_{JA}$. Operating at the absolute maximum T_J of 150°C can affect reliability.

■ RECOMMENDED OPERATING CONDITIONS

PARAMETER	SYMBOL	MIN	TYP.	MAX	UNIT
Supply Voltage	V_{CC}	7		40	V
Amplifier Input Voltage	V_{IN}	-0.3		$V_{CC} - 2$	V
Collector Output Voltage	V_{C1}, V_{C2}			40	V
Collector Output Current (Each Transistor)	I_{C1}, I_{C2}			200	mA
Current Into Feedback Terminal	I_{FB}			0.3	mA
Timing Capacitor	C_T	0.47		10000	nF
Timing Resistor	R_T	1.8		500	k Ω
Oscillator Frequency	f_{OSC}	1		300	kHz

■ ELECTRICAL CHARACTERISTICS ($V_{CC}=15V$, unless otherwise specified)

PARAMETER	SYMBOL	TEST CONDITIONS	MIN	TYP	MAX	UNIT
REFERENCE SECTION						
Output Voltage (REF)	V_{REF}	$I_{OUT} = 1mA, T_a = 25^\circ C$	4.95	5	5.05	V
Input Regulation	ΔV_{OUT}	$V_{CC} = 7V \sim 40V, T_a = 25^\circ C$		2	25	mV
Output Regulation	ΔV_{OUT}	$I_{OUT} = 1 \sim 10mA, T_a = 25^\circ C$		14	35	mV
Output-Voltage Change with Temperature		$\Delta T_a = \text{Min} \sim \text{Max}$		2	10	mV/V
Short-Circuit Output Current (Note)	I_{SC}	$V_{REF} = 0V$	10	35	50	mA
OSCILLATOR SECTION, $C_T = 0.01\mu F, R_T = 12K\Omega$ (See Figure 1)						
Frequency	f_{OSC}			10		kHz
Standard Deviation of Frequency (Note)	σf_{OSC}	All values of $V_{CC}, C_T, R_T,$ and T_a constant		100		Hz/kHz
Frequency Change With Voltage	$\Delta f_{OSC}(\Delta V)$	$V_{CC} = 7V \sim 40V, T_a = 25^\circ C$		1		Hz/kHz
Frequency Change With Temperature	$\Delta f_{OSC}(\Delta T)$	$\Delta T_a = \text{Min} \sim \text{Max}$			50	Hz/kHz
DEAD-TIME CONTROL SECTION (See Figure 1)						
Input Bias Current	$I_{IB(DT)}$	$V_{IN} = 0 \sim 5.25V$		-2	-10	μA
Maximum Duty Cycle, Each Output	DC_{MAX}	$DTIC = 0V$	0.45			
Input Threshold Voltage	V_{TH}	Zero Duty Cycle		3	3.3	V
		Maximum Duty Cycle	0			V

■ ELECTRICAL CHARACTERISTICS(Cont.)

PARAMETER	SYMBOL	TEST CONDITIONS	MIN	TYP	MAX	UNIT	
OUTPUT SECTION							
Collector-Emitter Saturation Voltage	Common Emitter	$V_{SAT(C)}$	$V_E=0, I_C=200mA$		1.1	1.3	V
	Emitter Follower	$V_{SAT(E)}$	$V_C=15V, I_E=-200mA$		1.5	2.5	V
Collector Off-State Current	$I_{C(OFF)}$	DTC and Output CTRL = 0V, $V_C=15V, V_E=0V, V_{CC}=1\sim3V$	$V_C=40V, V_E=0V, V_{CC}=40V$		2	100	μA
					4	200	μA
Emitter Off-State Current	$I_{E(OFF)}$	$V_{CC}=V_C=40V, V_E=0$			-100	μA	
Output Control Input Current	I_{OC}	$V_{IN}=V_{REF}$			3.5	mA	
PWM COMPARATOR SECTION (See Figure 1)							
Input Threshold Voltage	V_{TH}	Zero duty cycle		4	4.5	V	
Input Sink Current	$I_{I(SINK)}$	FEEDBACK = 0.5V	0.3	0.7		mA	
UNDERVOLTAGE LOCKOUT SECTION (See Figure 1)							
Threshold Voltage	V_{TH}	$T_a = 25^\circ C$			6	V	
		$\Delta T_a = \text{Min} \sim \text{Max}$	3.5		6.9	V	
Hysteresis	V_{HYS}		100			mV	
OVERALL DEVICE							
Standby Supply Current	I_{STN-BY}	R_T at V_{REF} All Other Inputs And Outputs Open	$V_{CC} = 15V$		9	15	mA
			$V_{CC} = 40V$		11	18	mA
Average Supply Current		DTC = 2V, See Figure 1		12.4		mA	
AMPLIFIER SECTION (See Figure 2)							
Input Offset Voltage, Error Amplifier	$V_{I(OFF)}$	FEEDBACK = 2.5V		2	10	mV	
Input Offset Current	$I_{I(OFF)}$	FEEDBACK = 2.5V		25	250	nA	
Input Bias Current	I_{IB}	FEEDBACK = 2.5V		0.2	1	μA	
Common-Mode Input Voltage Range, Error Amplifier	V_{ICR}	$V_{CC}=7V\sim40V$	0.3 to $V_{CC}-2$			V	
Open-Loop Voltage Amplification Gain, Error Amplifier	A_{VOL}	$\Delta V_{OUT}=3V, R_L=2k\Omega,$ $V_{OUT} = 0.5V\sim3.5V$	70	95		dB	
Unity-Gain Bandwidth	B_W	$V_{OUT} = 0.5V \sim 3.5V, R_L = 2k\Omega$		800		kHz	
Common-Mode Rejection Ratio, Error Amplifier	CMRR	$V_{CC} = 40V, T_a=25^\circ C$	65	80		dB	
Output Sink Current, FEEDBACK	$I_{O(SINK)}$	$V_{ID} = -15mV \sim -5V,$ FEEDBACK = 0.5V	0.3	0.7		mA	
Output Source Current, FEEDBACK	$I_{O(SOURCE)}$	$V_{ID} = 15mV \sim 5V,$ FEEDBACK = 3.5V	-2			mA	
SWITCHING CHARACTERISTICS, $T_a = 25^\circ C$							
Output-Voltage Rise Time	T_r	Emitter-Follower Configuration (see Figure 3)		200	400	ns	
Output-Voltage Fall Time	T_f			45	100	ns	
Output-Voltage Rise Time	T_r	Common-Emitter Configuration (see Figure 4)		100	200	ns	
Output-Voltage Fall Time	T_f			30	100	ns	

Note: Standard deviation is a measure of the statistical distribution about the mean, as derived from the formula:

$$\sigma = \sqrt{\frac{\sum_{n=1}^N (X_n - \bar{X})^2}{N-1}}$$

■ PARAMETER MEASUREMENT INFORMATION

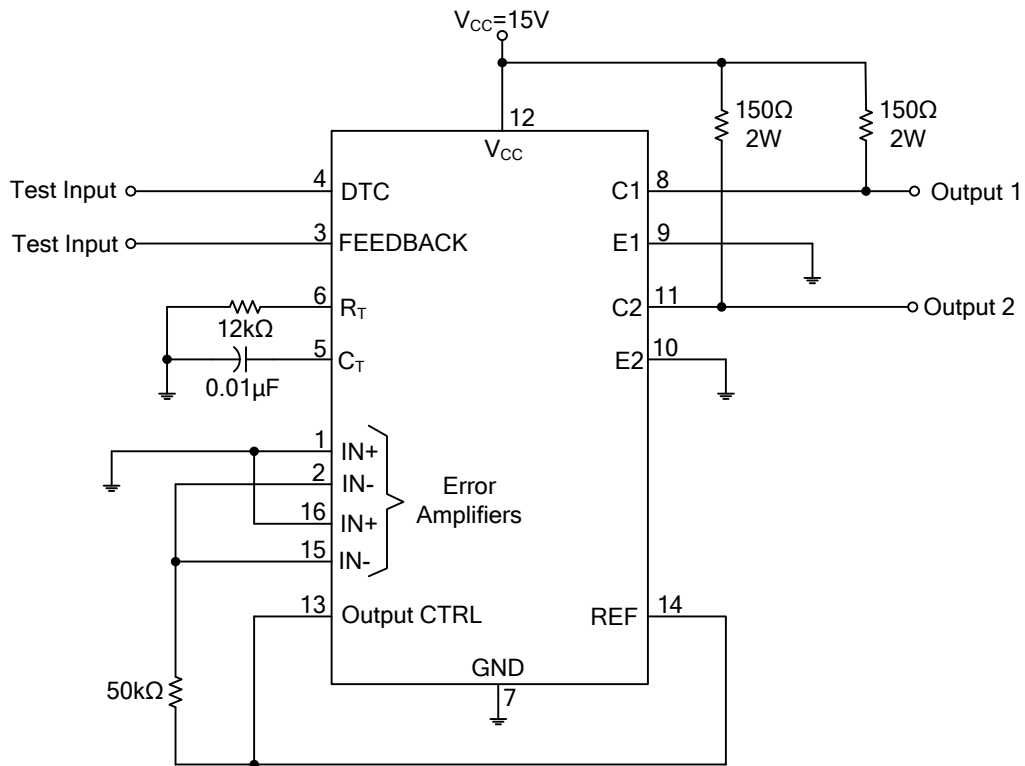


Figure 1. Operational Test Circuit

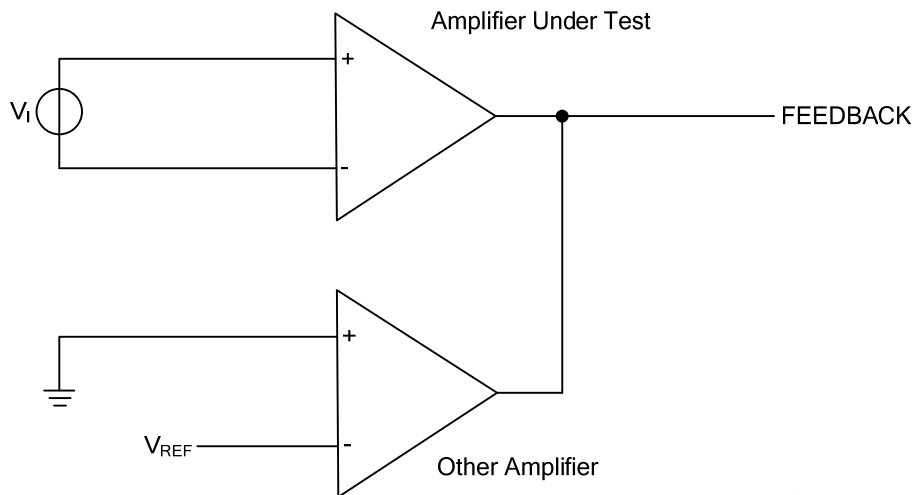


Figure 2. Amplifier-Characteristics Test Circuit

■ PARAMETER MEASUREMENT INFORMATION(Cont.)

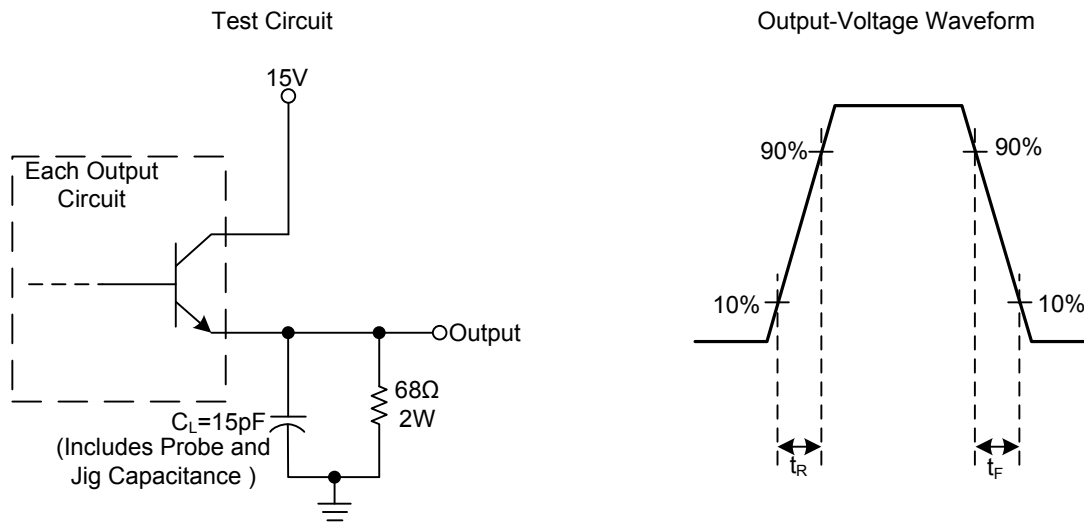


Figure 3. Emitter-Follower Configuration

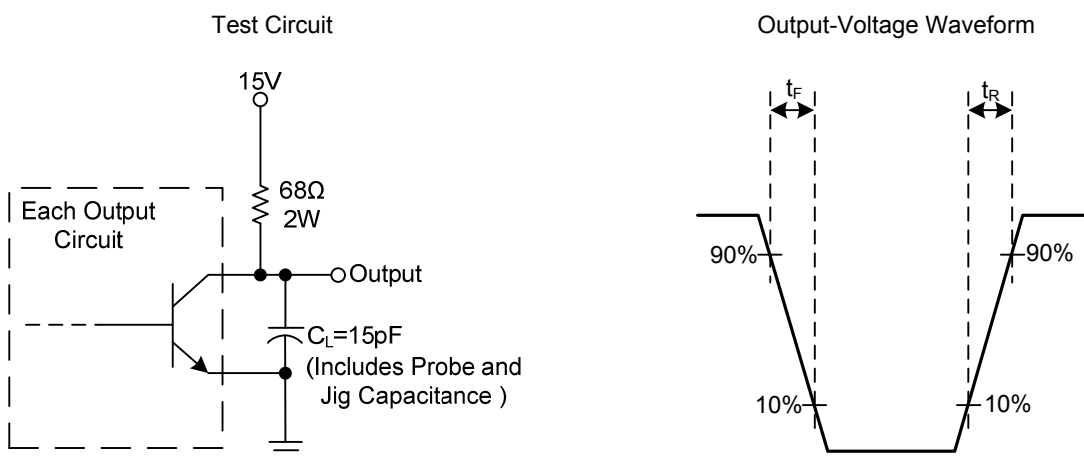
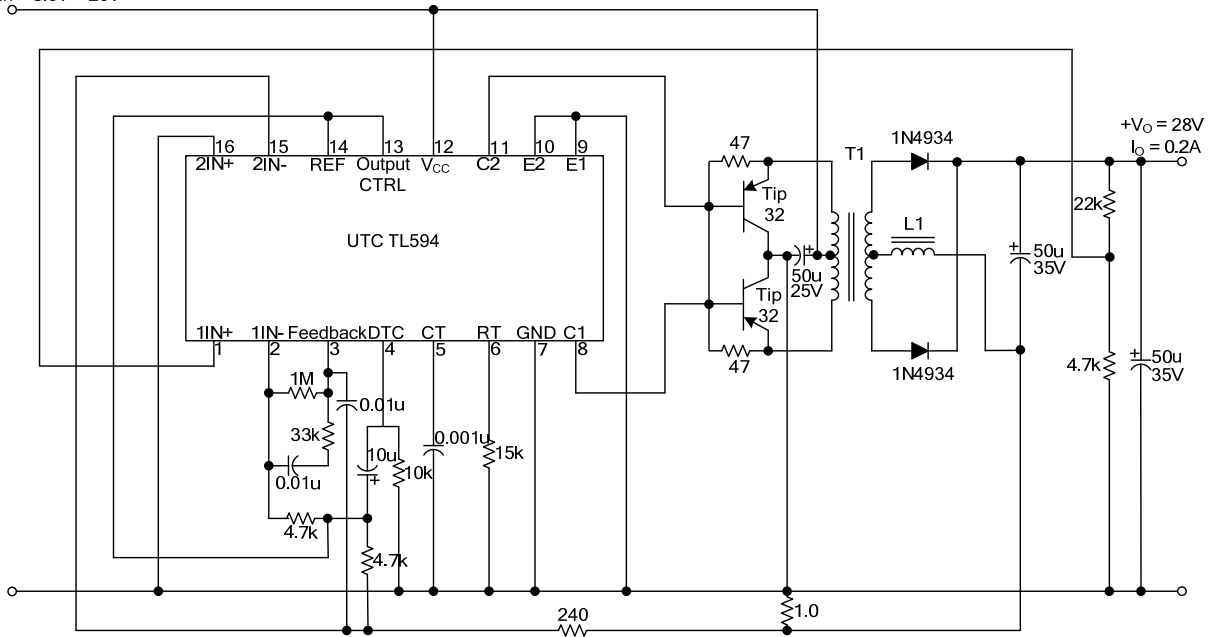


Figure 4. Common-Emitter Configuration

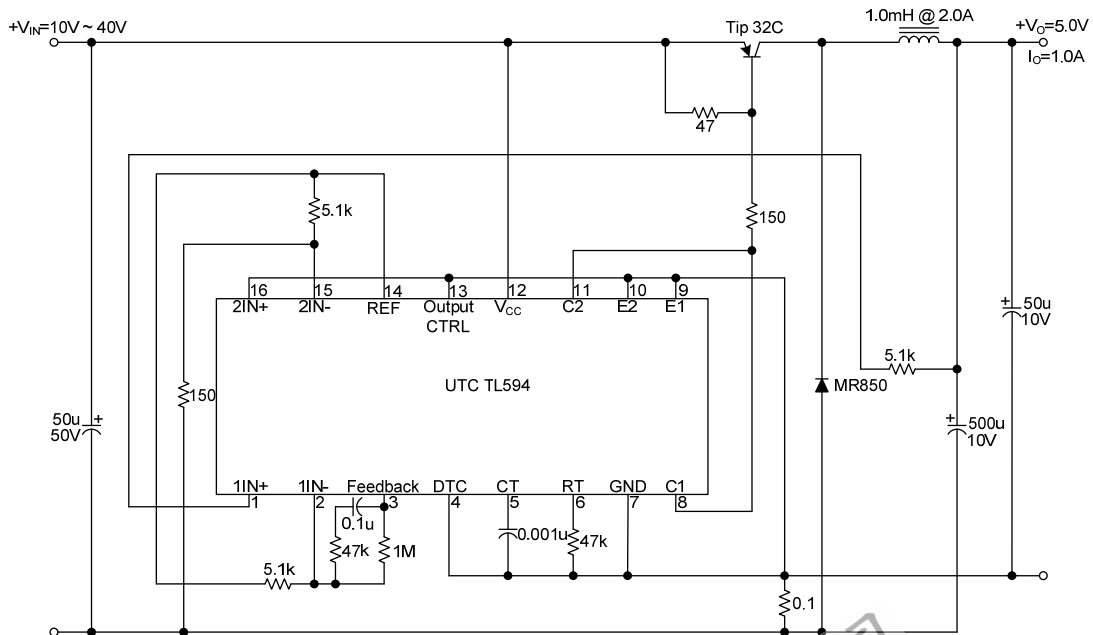
TYPICAL APPLICATIONS INFORMATION

+V_{in} = 8.0V ~ 20V



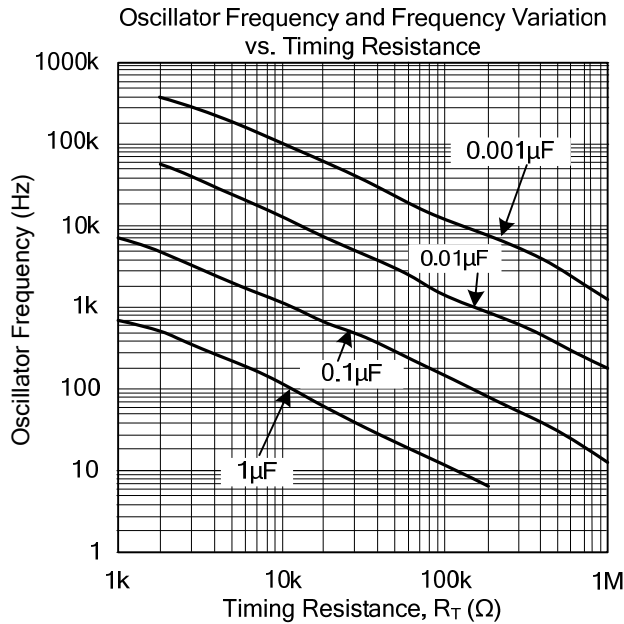
Note: All capacitors in μF

Push-Pull Operation



Single-Ended Operation

■ TYPICAL CHARACTERISTIC



Note: Frequency variation (Δf) is the change in oscillator frequency that occurs over the full temperature range.

UTC assumes no responsibility for equipment failures that result from using products at values that exceed, even momentarily, rated values (such as maximum ratings, operating condition ranges, or other parameters) listed in products specifications of any and all UTC products described or contained herein. UTC products are not designed for use in life support appliances, devices or systems where malfunction of these products can be reasonably expected to result in personal injury. Reproduction in whole or in part is prohibited without the prior written consent of the copyright owner. The information presented in this document does not form part of any quotation or contract, is believed to be accurate and reliable and may be changed without notice.