



U74AC32

CMOS IC

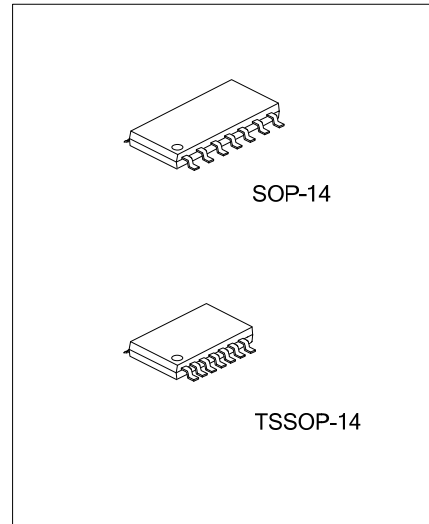
QUADRUPLE 2-INPUT POSITIVE-OR GATE

DESCRIPTION

The **U74AC32** is a quad 2-input positive-OR gate. The device performs the Boolean function $Y=A+B$ or $Y = \overline{A} \cdot \overline{B}$ in positive logic.

FEATURES

- * Operation Voltage Range: 2~6V
- * Inputs Accept Voltages to 6V
- * Max t_{pd} of 7.5 ns at 5V

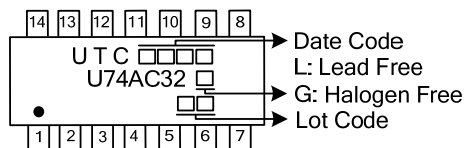


ORDERING INFORMATION

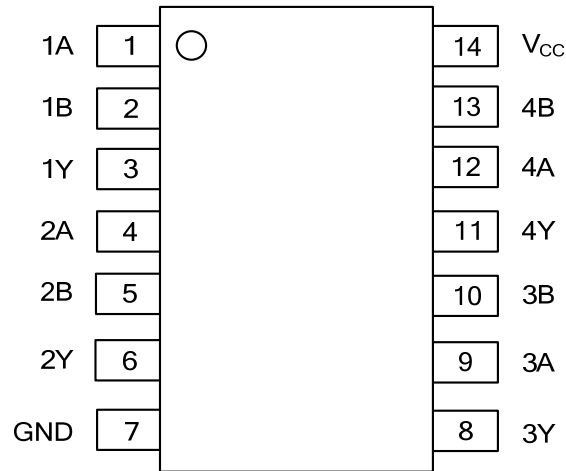
Ordering Number		Package	Packing
Lead Free	Halogen Free		
U74AC32L-S14-R	U74AC32G-S14-R	SOP-14	Tape Reel
U74AC32L-P14-R	U74AC32G-P14-R	TSSOP-14	Tape Reel

<p>U74AC32G-S14-R</p> <p>(1)Packing Type</p> <p>(2)Package Type</p> <p>(3)Green Package</p>	<p>(1) R: Tape Reel</p> <p>(2) S14: SOP-14, P14: TSSOP-14</p> <p>(3) G: Halogen Free and Lead Free, L: Lead Free</p>
---	--

MARKING



■ PIN CONFIGURATION

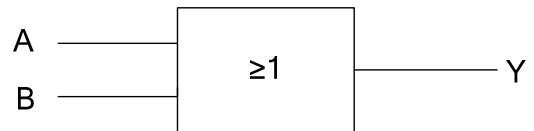
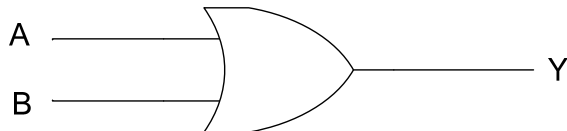


■ FUNCTION TABLE(EACH GATE)

INPUTS		OUTPUT
A	B	Y
H	X	H
X	H	H
L	L	L

L: low voltage level; H: high voltage level; X: don't care

■ LOGIC DIAGRAM,EACH GATE (POSITIVE LOGIC)



FLYING 汎翔國際有限公司
www.flying1688.com

■ ABSOLUTE MAXIMUM RATING (unless otherwise specified) (Note 2)

PARAMETER	SYMBOL	RATINGS	UNIT
Supply Voltage	V_{CC}	-0.5~7.0	V
Input Voltage	V_{IN}	-0.5~ $V_{CC}+0.5$	V
Output Voltage	V_{OUT}	-0.5~ $V_{CC}+0.5$	V
Input Clamp Current ($V_I < 0$ or $V_I > V_{CC}$)	I_{IK}	±20	mA
Output Clamp Current ($V_O < 0$ or $V_O > V_{CC}$)	I_{OK}	±20	mA
Output Current ($V_O = 0$ to V_{CC})	I_{OUT}	±50	mA
Continuous current through V_{CC} or GND	I_{CC}	±200	mA
Storage Temperature	T_{STG}	-65 ~ +150	°C

- Notes: 1. Absolute maximum ratings are those values beyond which the device could be permanently damaged. Absolute maximum ratings are stress ratings only and functional device operation is not implied
 2. The input and output voltage ratings may be exceeded if the input and output current ratings are observed.

■ THERMAL DATA

PARAMETER	SYMBOL	RATINGS	UNIT
Junction to Ambient	SOP-14	86	°C/W
	TSSOP-14	113	°C/W

■ RECOMMENDED OPERATING CONDITIONS

PARAMETER	SYMBOL	MIN	TYP	MAX	UNIT
Supply Voltage	V_{CC}	2		6	V
Input Voltage	V_{IN}	0		V_{CC}	V
Output Voltage	V_{OUT}	0		V_{CC}	V
Operating free-air temperature	T_A	-40		85	°C
Input Transition Rise or Fall Rate	$\Delta t/\Delta v$			8	ns/V

■ ELECTRICAL CHARACTERISTICS ($T_A = 25^\circ\text{C}$, unless otherwise specified)

PARAMETER	SYMBOL	TEST CONDITIONS	MIN	TYP	MAX	UNIT
HIGH-level input voltage	V_{IH}	$V_{CC}=3V$	2.1			V
		$V_{CC}=4.5V$	3.15			
		$V_{CC}=5.5V$	3.85			
LOW-level output voltage	V_{IL}	$V_{CC}=3V$			0.9	V
		$V_{CC}=4.5V$			1.35	
		$V_{CC}=5.5V$			1.65	
High-Level Output Voltage	V_{OH}	$V_{CC}=3V, I_{OH}=-50\mu A$	2.9			V
		$V_{CC}=4.5V, I_{OH}=-50\mu A$	4.4			
		$V_{CC}=5.5V, I_{OH}=-50\mu A$	5.4			
		$V_{CC}=3V, I_{OH}=-12mA$	2.56			
		$V_{CC}=4.5V, I_{OH}=-24mA$	3.86			
		$V_{CC}=5.5V, I_{OH}=-24mA$	4.86			
Low-Level Output Voltage	V_{OL}	$V_{CC}=3V, I_{OL}=50\mu A$		0.002	0.1	V
		$V_{CC}=4.5V, I_{OL}=50\mu A$		0.001	0.1	
		$V_{CC}=5.5V, I_{OL}=50\mu A$		0.001	0.1	
		$V_{CC}=3V, I_{OL}=12mA$			0.36	
		$V_{CC}=4.5V, I_{OL}=24mA$			0.36	
		$V_{CC}=5.5V, I_{OL}=24mA$			0.36	
Input Leakage Current	I_I	$V_I = V_{CC}$ or GND, $V_{CC}=5.5V$			±0.1	μA
Quiescent Supply Current	I_{CC}	$V_I = \text{GND}$ or $V_{CC}, I_O = 0, V_{CC}=5.5V$			2	μA
Input Capacitance	C_i	$V_I = V_{CC}$ or GND, $V_{CC}=5V$		2.6		pF

■ DYNAMIC CHARACTERISTICS

($C_L=50\text{pF}$, $R_L=500\Omega$, $T_A=25^\circ\text{C}$, unless otherwise specified) (see Figure 1)

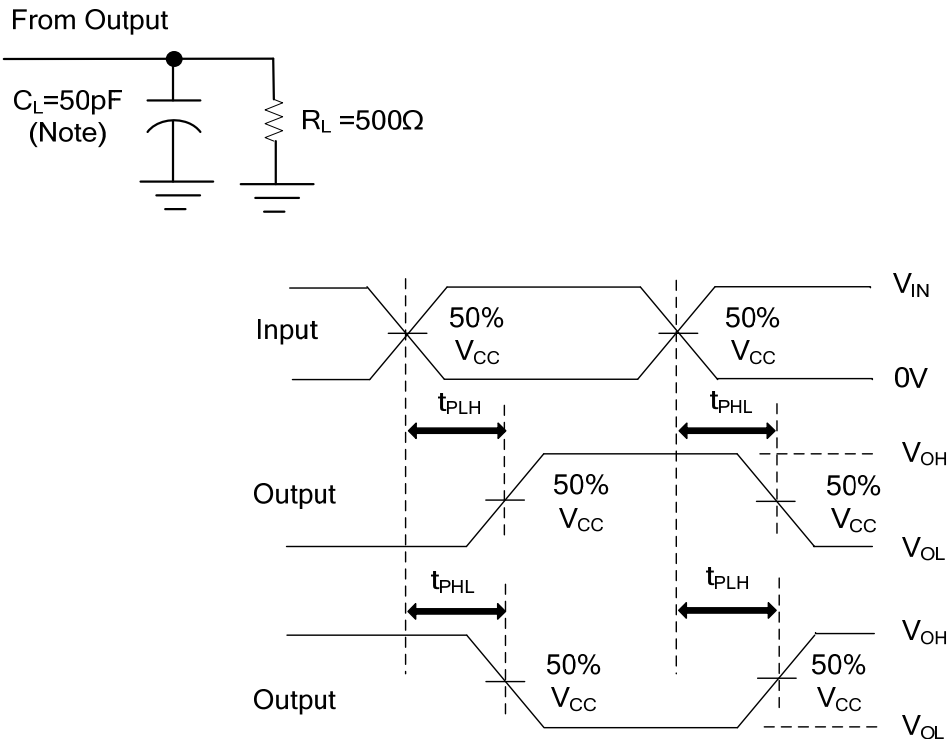
PARAMETER	SYMBOL	TEST CONDITIONS	MIN	TYP	MAX	UNIT
Propagation delay from Input(A or B) to Output(Y)	t_{PLH}	$V_{CC}=3.3V\pm 0.3V$	1.5	7	9	ns
		$V_{CC}=5V\pm 0.5V$	1.5	5.5	7.5	ns
	t_{PHL}	$V_{CC}=3.3V\pm 0.3V$	1.5	7	8.5	ns
		$V_{CC}=5V\pm 0.5V$	1.5	5	7	ns

■ OPERATING CHARACTERISTICS ($V_{CC}=5V$, $T_A=25^\circ\text{C}$, unless otherwise specified)

PARAMETER	SYMBOL	TEST CONDITIONS	MIN	TYP	MAX	UNIT
Power Dissipation Capacitance	C_{PD}	$C_L=50\text{pF}$, $f=1\text{MHz}$		40		pF

FLYING 汎翔國際有限公司
www.flying1688.com

■ TEST CIRCUIT AND WAVEFORMS



PROPAGATION DELAY TIMES

- Notes: 1. C_L includes probe and jig capacitance.
 2. All input pulses are supplied by generators having the following characteristics:
 $PRR \leq 1\text{MHz}$, $Z_0 = 50\Omega$, $t_r \leq 2.5\text{ns}$, $t_f \leq 2.5\text{ns}$.
 3. The outputs are measured one at a time with one input transition per measurement.

Figure 1. Load Circuit and Voltage Waveforms

UTC assumes no responsibility for equipment failures that result from using products at values that exceed, even momentarily, rated values (such as maximum ratings, operating condition ranges, or other parameters) listed in products specifications of any and all UTC products described or contained herein. UTC products are not designed for use in life support appliances, devices or systems where malfunction of these products can be reasonably expected to result in personal injury. Reproduction in whole or in part is prohibited without the prior written consent of the copyright owner. UTC reserves the right to make changes to information published in this document, including without limitation specifications and product descriptions, at any time and without notice. This document supersedes and replaces all information supplied prior to the publication hereof.