



U74AHC245

CMOS IC

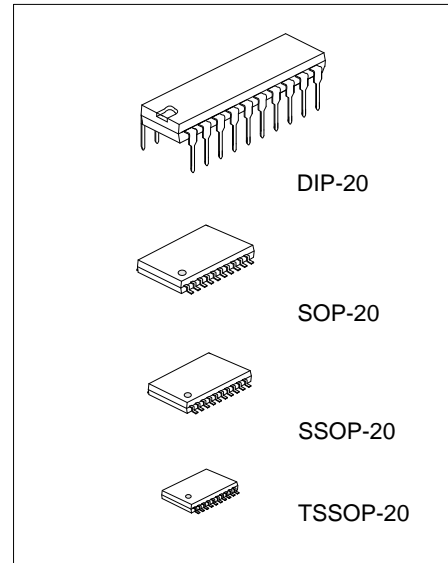
OCTAL BUS TRANSCEIVERS WITH 3-STATE OUTPUTS

DESCRIPTION

The **U74AHC245** octal bus transceivers is designed for asynchronous two-way communication between data buses. The control-function implementation minimizes external timing requirements.

The device allows data transmission from the A bus to the B bus or from the B bus to the A bus, depending on the logic level at the direction-control (DIR) input. The output-enable (\overline{OE}) input can be used to disable the device so that the buses are effectively isolated.

To ensure the high-impedance state during power up or power down, \overline{OE} should be tied to V_{CC} through a pullup resistor; the minimum value of the resistor is determined by the current-sinking capability of the driver.



FEATURES

* Operating range 2V to 5.5V V_{CC}

ORDERING INFORMATION

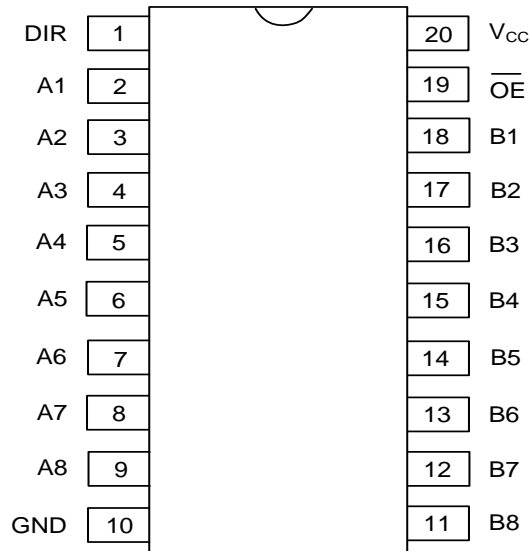
| Ordering Number | | Package | Packing |
|------------------|------------------|----------|-----------|
| Lead Free | Halogen Free | | |
| U74AHC245L-D20-T | U74AHC245G-D20-T | DIP-20 | Tube |
| U74AHC245L-P20-R | U74AHC245G-P20-R | TSSOP-20 | Tape Reel |
| U74AHC245L-R20-R | U74AHC245G-R20-R | SSOP-20 | Tape Reel |
| U74AHC245L-S20-R | U74AHC245G-S20-R | SOP-20 | Tape Reel |

| | |
|-------------------------|--|
| <p>U74AHC245G-D20-T</p> | <p>(1) T: Tube, R: Tape Reel (2) D20: DIP-20, P20: TSSOP-20, R20: SSOP-20, S20: SOP-20 (3) G: Halogen Free and Lead Free, L: Lead Free</p> |
|-------------------------|--|

MARKING

| DIP-20 | SOP-20 / SSOP-20 / TSSOP-20 |
|--------|-----------------------------|
| | |

■ PIN CONFIGURATION

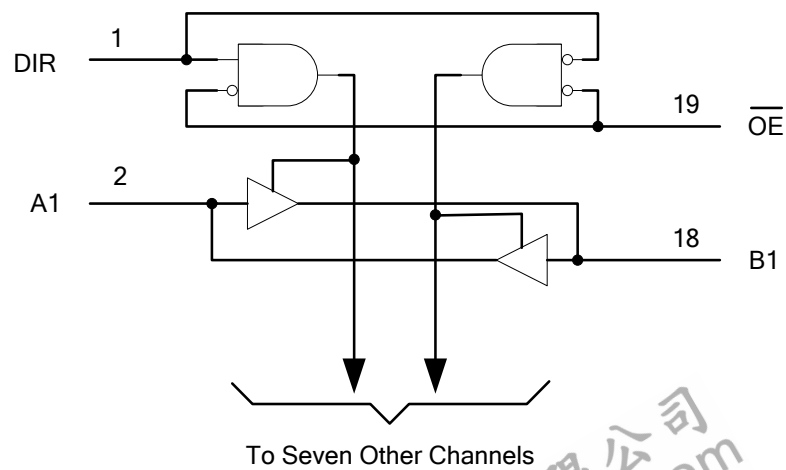


■ FUNCTION TABLE

| INPUT | | FUNCTION |
|-----------------|-----|-----------------------------------|
| \overline{OE} | DIR | |
| H | X | Isolation |
| L | H | Transmit data from A bus to B bus |
| L | L | Transmit data from B bus to A bus |

Note: H: HIGH voltage level;
 L: LOW voltage level;
 X: Don't care

■ LOGIC DIAGRAM



■ **ABSOLUTE MAXIMUM RATING** ($T_A=25^{\circ}\text{C}$, unless otherwise specified)

| PARAMETER | SYMBOL | RATINGS | UNIT |
|--|-----------|--------------------|--------------------|
| Supply Voltage | V_{CC} | -0.5~7.0 | V |
| Input Voltage Range | V_I | -0.5~7.0 | V |
| Output Voltage Range | V_O | -0.5~ $V_{CC}+0.5$ | V |
| Input Clamp Current ($V_{IN}<0$) | I_{IK} | -20 | mA |
| Output Clamp Current ($V_O<0$ or $V_O>V_{CC}$) | I_{OK} | ± 20 | mA |
| Output Current | I_{OUT} | ± 25 | mA |
| V_{CC} or GND Current | I_{CC} | ± 75 | mA |
| Storage Temperature | T_{STG} | -65 ~ +150 | $^{\circ}\text{C}$ |

Notes: 1. Absolute maximum ratings are those values beyond which the device could be permanently damaged.

Absolute maximum ratings are stress ratings only and functional device operation is not implied.

2. The input and output voltage ratings may be exceeded if the input and output current ratings are observed.

■ **RECOMMENDED OPERATING CONDITIONS** ($T_A=25^{\circ}\text{C}$, unless otherwise specified)

| PARAMETER | SYMBOL | MIN | TYP | MAX | UNIT |
|------------------------------------|---------------------|-------------------------------------|-----|----------|--------------------|
| Supply Voltage | V_{CC} | 2 | | 5.5 | V |
| Input Voltage | V_{IN} | 0 | | 5.5 | V |
| Output Voltage | V_{OUT} | 0 | | V_{CC} | V |
| Operating Temperature | T_{OPR} | -40 | | 85 | $^{\circ}\text{C}$ |
| Input Transition Rise or Fall Rate | $\Delta t/\Delta v$ | $V_{CC}=3.3\text{V}\pm 0.3\text{V}$ | | 100 | ns/V |
| | | $V_{CC}=5\text{V}\pm 0.5\text{V}$ | | 20 | |
| Operating Free-air Temperature | T_A | -40 | | 85 | $^{\circ}\text{C}$ |

■ **THERMAL DATA**

| PARAMETER | SYMBOL | RATINGS | UNIT |
|---------------------|----------|---------|-----------------------------|
| Junction to Ambient | DIP-20 | 70 | $^{\circ}\text{C}/\text{W}$ |
| | SOP-20 | 80 | $^{\circ}\text{C}/\text{W}$ |
| | SSOP-20 | 96 | $^{\circ}\text{C}/\text{W}$ |
| | TSSOP-20 | 103 | $^{\circ}\text{C}/\text{W}$ |

■ ELECTRICAL CHARACTERISTICS (T_A=25°C, unless otherwise specified)

| PARAMETER | SYMBOL | TEST CONDITIONS | MIN | TYP | MAX | UNIT |
|---|-------------------------------|---|---|-----|-------|------|
| HIGH-level input voltage | V _{IH} | V _{CC} =2V | 1.5 | | | V |
| | | V _{CC} =3V | 2.1 | | | |
| | | V _{CC} =5.5V | 3.85 | | | |
| LOW-level output voltage | V _{IL} | V _{CC} =2V | | | 0.5 | V |
| | | V _{CC} =3V | | | 0.9 | |
| | | V _{CC} =5.5V | | | 1.65 | |
| High-Level Output Voltage | V _{OH} | V _{CC} =2V, I _{OH} =-50μA | 1.9 | 2 | | V |
| | | V _{CC} =3V, I _{OH} =-50μA | 2.9 | 3 | | |
| | | V _{CC} =4.5V, I _{OH} =-50μA | 4.4 | 4.5 | | |
| | | V _{CC} =3V, I _{OH} =-4mA | 2.58 | | | |
| | | V _{CC} =4.5V, I _{OH} =-8mA | 3.94 | | | |
| Low-Level Output Voltage | V _{OL} | V _{CC} =2V, I _{OL} =50μA | | | 0.1 | V |
| | | V _{CC} =3V, I _{OL} =50μA | | | 0.1 | |
| | | V _{CC} =4.5V, I _{OL} =50μA | | | 0.1 | |
| | | V _{CC} =3V, I _{OL} =4mA | | | 0.36 | |
| | | V _{CC} =4.5V, I _{OL} =8mA | | | 0.36 | |
| Input Leakage Current | A or B inputs | I _{I(LEAK)} | V _{CC} =5.5V, V _{IN} =V _{CC} or GND | | ±0.1 | μA |
| | $\overline{\text{OE}}$ or DIR | | V _{CC} =0 to 5.5V, V _{IN} =V _{CC} or GND | | | |
| Output OFF-state current | I _{OZ} | V _{CC} =5.5V, V _{OUT} =V _{CC} or GND | | | ±0.25 | μA |
| Quiescent Supply Current | I _Q | V _{CC} =5.5V, V _{IN} =V _{CC} or GND, I _{OUT} =0 | | | 4 | μA |
| Input Capacitance($\overline{\text{OE}}$ or DIR) | C _I | V _{CC} =5V, V _{IN} =V _{CC} or GND | | 2.5 | 10 | pF |
| Input Capacitance(A or B inputs) | C _{IO} | V _{CC} =5V, V _{IN} =V _{CC} or GND | | 4 | | pF |

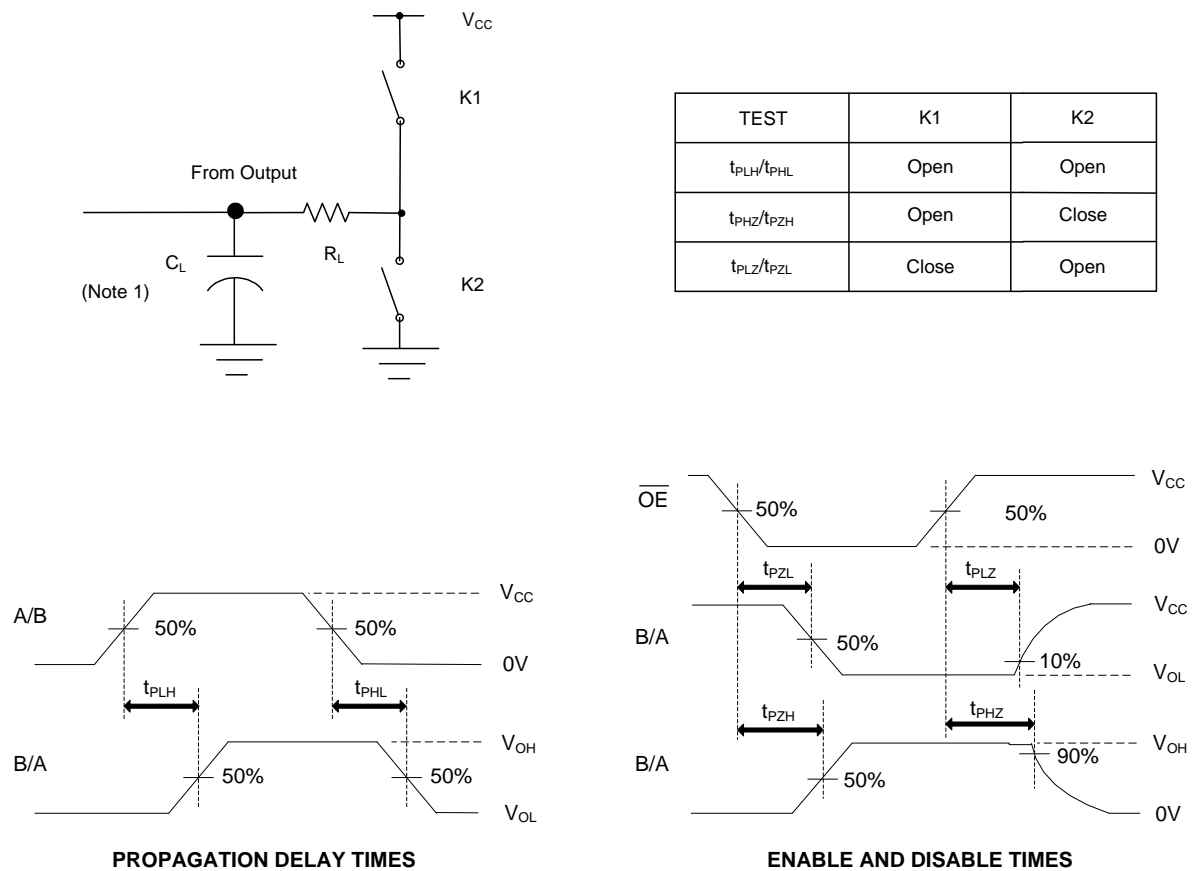
■ SWITCHING CHARACTERISTICS (R_L=1kΩ, T_A=25°C, unless otherwise specified)

| PARAMETER | SYMBOL | TEST CONDITIONS | MIN | TYP | MAX | UNIT |
|--|---|--|-----|------|------|------|
| Propagation delay from input (A or B) to output (B or A) | t _{pd} (t _{PLH} /t _{PHL}) | V _{CC} =3.3V±0.3V, C _L =15pF | | 5.8 | 8.4 | ns |
| | | V _{CC} =3.3V±0.3V, C _L =50pF | | 8.3 | 11.9 | |
| | | V _{CC} =5V±0.5V, C _L =15pF | | 4 | 5.5 | |
| | | V _{CC} =5V±0.5V, C _L =50pF | | 5.5 | 7.5 | |
| 3-state output enable time from input ($\overline{\text{OE}}$) to output (A or B) | t _{en} (t _{PZL} /t _{PZH}) | V _{CC} =3.3V±0.3V, C _L =15pF | | 8.5 | 13.2 | ns |
| | | V _{CC} =3.3V±0.3V, C _L =50pF | | 11 | 16.7 | |
| | | V _{CC} =5V±0.5V, C _L =15pF | | 5.8 | 8.5 | |
| | | V _{CC} =5V±0.5V, C _L =50pF | | 7.3 | 10.6 | |
| 3-state output disable time from input ($\overline{\text{OE}}$) to output (A or B) | t _{dis} (t _{PLZ} /t _{PHZ}) | V _{CC} =3.3V±0.3V, C _L =15pF | | 8.9 | 12.5 | ns |
| | | V _{CC} =3.3V±0.3V, C _L =50pF | | 11.5 | 15.8 | |
| | | V _{CC} =5V±0.5V, C _L =15pF | | 5.6 | 7.8 | |
| | | V _{CC} =5V±0.5V, C _L =50pF | | 7 | 9.7 | |

■ OPERATING CHARACTERISTICS (V_{CC}=5V, T_A=25°C, unless otherwise specified)

| PARAMETER | SYMBOL | TEST CONDITIONS | MIN | TYP | MAX | UNIT |
|-------------------------------|-----------------|-----------------|-----|-----|-----|------|
| Power Dissipation Capacitance | C _{PD} | No load, f=1MHz | | 14 | | pF |

■ TEST CIRCUIT AND WAVEFORMS



- Notes: 1. C_L includes probe and jig capacitance.
 2. All input pulses are supplied by generators having the following characteristics:
 PRR \leq 1MHZ, $Z_o=50\Omega$, $t_r \leq 3ns$, $t_f \leq 3ns$.
 3. The outputs are measured one at a time with one input transition per measurement.

Figure 1. Load Circuit and Voltage Waveforms

UTC assumes no responsibility for equipment failures that result from using products at values that exceed, even momentarily, rated values (such as maximum ratings, operating condition ranges, or other parameters) listed in products specifications of any and all UTC products described or contained herein. UTC products are not designed for use in life support appliances, devices or systems where malfunction of these products can be reasonably expected to result in personal injury. Reproduction in whole or in part is prohibited without the prior written consent of the copyright owner. UTC reserves the right to make changes to information published in this document, including without limitation specifications and product descriptions, at any time and without notice. This document supersedes and replaces all information supplied prior to the publication hereof.