



U74AHC86

CMOS IC

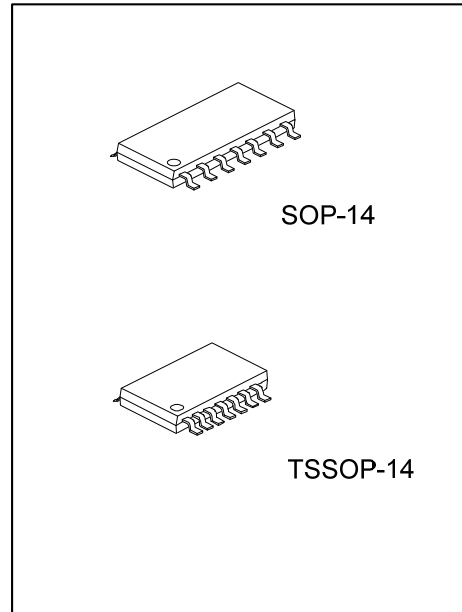
QUADRUPLE 2-INPUT EXCLUSIVE-OR GATES

DESCRIPTION

The **U74AHC86** device is quadruple 2-input EXCLUSIVE-OR gate which perform the function $Y=A \oplus B$ or $Y = \bar{A}B + A\bar{B}$.

FEATURES

- * Operate from 2V to 5.5V
- * Max tpd of 8.8ns at 5.0V
- * Low Quiescent Current: $I_{CC}=2\mu A(\text{Max})$ at $T_A=25^\circ C$

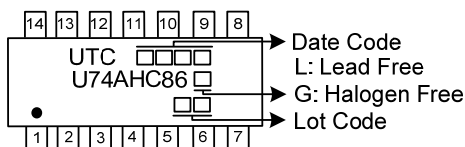


ORDERING INFORMATION

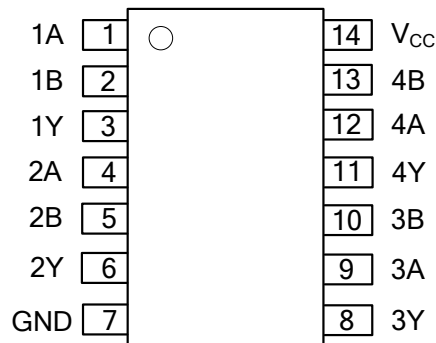
Ordering Number		Package	Packing
Lead Free	Halogen Free		
U74AHC86L-S14-R	U74AHC86G-S14-R	SOP-14	Tape Reel
U74AHC86L-P14-R	U74AHC86G-P14-R	TSSOP-14	Tape Reel

<p>U74AHC86G-S14-R</p> <p>(1)Packing Type</p> <p>(2)Package Type</p> <p>(3)Green Package</p>	<p>(1) R: Tape Reel</p> <p>(2) S14: SOP-14, P14: TSSOP-14</p> <p>(3) G: Halogen Free and Lead Free, L: Lead Free</p>
--	--

MARKING



■ PIN CONFIGURATION

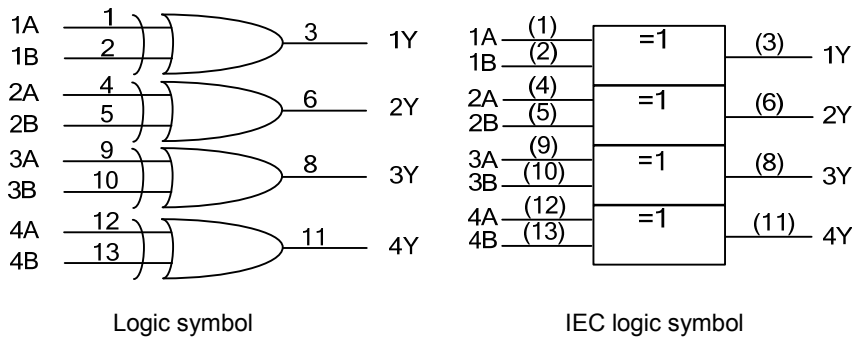


■ FUNCTION TABLE

INPUT(nA)	INPUT(nB)	OUTPUT(nY)
H	H	L
H	L	H
L	H	H
L	L	L

Note: H: High voltage level; L: Low voltage level

■ LOGIC SYMBOL



Logic symbol

IEC logic symbol

■ ABSOLUTE MAXIMUM RATINGS (T_A=25°C, unless otherwise specified)

PARAMETER	SYMBOL	RATINGS	UNIT
Supply Voltage	V _{CC}	-0.5 ~ +7	V
Input Voltage	V _{IN}	-0.5 ~ +7	V
Output Voltage	V _{OUT}	-0.5 ~ V _{CC} +0.5	V
V _{CC} or GND Current	I _{CC}	±50	mA
Output Current	I _{OUT}	±25	mA
Input Clamp Current	I _{IK}	-20	mA
Output Clamp Current	I _{OK}	±20	mA
Storage Temperature	T _{STG}	-65 ~ + 150	°C

Notes: 1. Absolute maximum ratings are those values beyond which the device could be permanently damaged. Absolute maximum ratings are stress ratings only and functional device operation is not implied.
 2. The input and output voltage ratings may be exceeded if the input and output current ratings are observed.

■ RECOMMENDED OPERATING CONDITIONS (T_A=25°C, unless otherwise specified)

PARAMETER	SYMBOL	CONDITIONS	MIN	TYP	MAX	UNIT
Supply Voltage	V _{CC}		2.0	5.0	5.5	V
Input Voltage	V _{IN}		0		5.5	V
Output Voltage	V _{OUT}		0		V _{CC}	V
Input Transition Rise or Fall Rate	Δt/Δv	V _{CC} =3.3±0.3V			100	ns/V
		V _{CC} =5.0±0.5V			20	
Operating Temperature	T _A		-40	+25	+85	°C

■ THERMAL DATA

PARAMETER	SYMBOL	RATINGS	UNIT
Junction to Ambient	SOP-14	86	°C/W
	TSSOP-14	113	°C/W

■ ELECTRICAL CHARACTERISTICS (T_A=25°C, unless otherwise specified)

PARAMETER	SYMBOL	TEST CONDITIONS	MIN	TYP	MAX	UNIT
High-Level Input Voltage	V _{IH}	V _{CC} = 2.0V	1.5			V
		V _{CC} = 3.0V	2.1			
		V _{CC} = 5.5V	3.85			
Low-Level Input Voltage	V _{IL}	V _{CC} = 2.0V			0.5	V
		V _{CC} = 3.0V			0.9	
		V _{CC} = 5.5V			1.65	
High-Level Output Voltage	V _{OH}	V _{CC} =2V, I _{OH} =-50μA	1.9	2		V
		V _{CC} =3V, I _{OH} =-50μA	2.9	3		
		V _{CC} =4.5V, I _{OH} =-50μA	4.4	4.5		
		V _{CC} =3V, I _{OH} =-4mA	2.58			
		V _{CC} =4.5V, I _{OH} =-8mA	3.94			
Low-Level Output Voltage	V _{OL}	V _{CC} =2V, I _{OL} =50μA			0.1	V
		V _{CC} =3V, I _{OL} =50μA			0.1	
		V _{CC} =4.5V, I _{OL} =50μA			0.1	
		V _{CC} =3V, I _{OL} =4mA			0.36	
		V _{CC} =4.5V, I _{OL} =8mA			0.36	
Input Leakage Current	I _{I(LEAK)}	V _{IN} =5.5V or GND, V _{CC} =0V to 5.5V			0.1	μA
Quiescent Supply Current	I _{CC}	V _{IN} =V _{CC} or GND, I _{OUT} =0, V _{CC} =5.5V			2	μA
Input Capacitance	C _{IN}	V _{IN} =V _{CC} or GND		4	10	pF

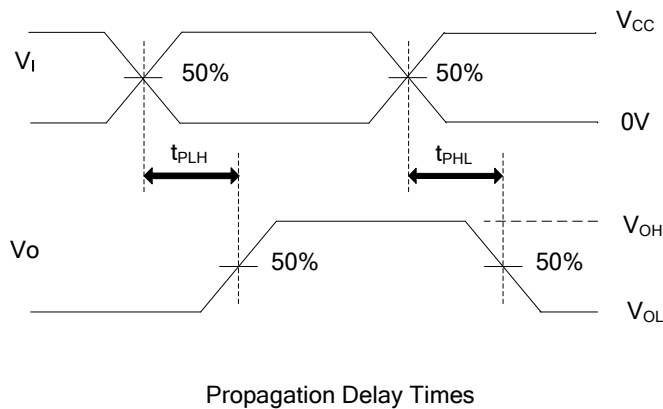
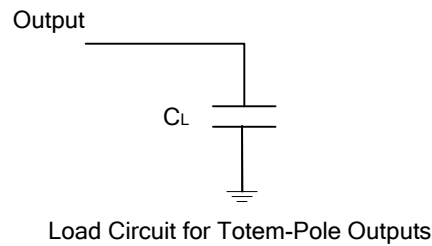
■ SWITCHING CHARACTERISTICS ($T_A=25^\circ\text{C}$, see TEST CIRCUIT AND WAVEFORMS)

PARAMETER	SYMBOL	TEST CONDITION	MIN	TYP	MAX	UNIT	
Propagation delay from input (A or B) to output(Y)	t_{PLH}	$V_{CC} = 3.3V \pm 0.3V$	$C_L = 15 \text{ pF}$		7	11	Ns
			$C_L = 50 \text{ pF}$		9.5	14.5	
	t_{PHL}	$V_{CC} = 5.0V \pm 0.5V$	$C_L = 15 \text{ pF}$		4.8	6.8	Ns
			$C_L = 50 \text{ pF}$		6.3	8.8	

■ OPERATING CHARACTERISTICS ($T_A=25^\circ\text{C}$, unless otherwise specified)

PARAMETER	SYMBOL	TEST CONDITION	MIN	TYP	MAX	UNIT
Power Dissipation Capacitance	C_{PD}	No load, $f=1\text{MHz}$		18		pF

■ TEST CIRCUIT AND WAVEFORMS



Note: C_L includes probe and jig capacitance.
 PRR \leq 1MHz, $Z_o = 50\Omega$, $t_R \leq 3ns$, $t_F \leq 3ns$.

UTC assumes no responsibility for equipment failures that result from using products at values that exceed, even momentarily, rated values (such as maximum ratings, operating condition ranges, or other parameters) listed in products specifications of any and all UTC products described or contained herein. UTC products are not designed for use in life support appliances, devices or systems where malfunction of these products can be reasonably expected to result in personal injury. Reproduction in whole or in part is prohibited without the prior written consent of the copyright owner. UTC reserves the right to make changes to information published in this document, including without limitation specifications and product descriptions, at any time and without notice. This document supersedes and replaces all information supplied prior to the publication hereof.