



U74AHCT1G04

CMOS IC

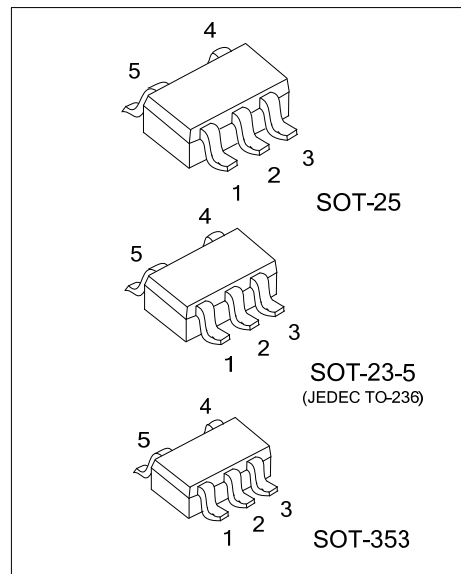
SINGLE INVERTER GATE

DESCRIPTION

The UTC **U74AHCT1G04** is a single inverter gate, which provides the Function $Y = \bar{A}$

FEATURES

- * Inputs are TTL voltage compatible
- * Operation Voltage Range: 4.5V~5.5V
- * Low Power Dissipation: $I_{CC}=10\mu A(\text{Max})$
- * High Speed: $t_{pd}=7.5\text{ns}(\text{Typ})$
- * Halogen Free

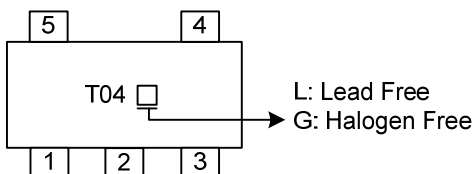


ORDERING INFORMATION

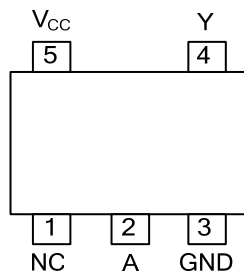
Ordering Number		Package	Packing
Lead Free	Halogen Free		
U74AHCT1G04L-AE5-R	U74AHCT1G04G-AE5-R	SOT-23-5	Tape Reel
U74AHCT1G04L-AF5-R	U74AHCT1G04G-AF5-R	SOT-25	Tape Reel
U74AHCT1G04L-AL5-R	U74AHCT1G04G-AL5-R	SOT-353	Tape Reel

<p>U74AHCT1G04G-AE5-R</p> <p>(1) Packing Type (2) Package Type (3) Green Package</p>	<p>(1) R: Tape Reel (2) AE5: SOT-23-5, AF5: SOT-25, AL5: SOT-353 (3) G: Halogen Free and Lead Free, L: Lead Free</p>
--	--

MARKING



■ PIN CONFIGURATION

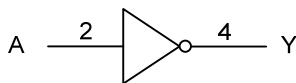


■ FUNCTION TABLE

INPUT(A)	OUTPUT(Y)
H	L
L	H

Note: H: high voltage level; L: low voltage level.

■ LOGIC DIAGRAM



FLYING 汎翔國際有限公司
www.flying1688.com

■ ABSOLUTE MAXIMUM RATING (unless otherwise specified)

PARAMETER	SYMBOL	RATINGS	UNIT
Supply Voltage	V_{CC}	-0.5~+7.0	V
Input Voltage (Note 2)	V_{IN}	-0.5~+7.0	V
Output Voltage (Note 2)	V_{OUT}	-0.5~ $V_{CC}+0.5$	V
V_{CC} or GND Current	I_{CC}	±50	mA
Output Current	I_{OUT}	±25	mA
Input Clamp Current	I_{IK}	-20	mA
Output Clamp Current	I_{OK}	±20	mA
Operating Temperature	T_{OPR}	-40 ~ +85	°C
Storage Temperature	T_{STG}	-65 ~ +150	°C

Note: 1. Absolute maximum ratings are those values beyond which the device could be permanently damaged.

Absolute maximum ratings are stress ratings only and functional device operation is not implied.

2. The input and output voltage ratings may be exceeded if the input and output current ratings are observed.

■ THERMAL DATA

PARAMETER	SYMBOL	RATING	UNIT
Junction to Ambient	θ_{JA}	280	°C/W
		230	°C/W
		350	°C/W

■ RECOMMENDED OPERATING CONDITIONS

PARAMETER	SYMBOL	TEST CONDITIONS	MIN	TYP	MAX	UNIT
Supply Voltage	V_{CC}		4.5		5.5	V
Input Voltage	V_{IN}		0		5.5	V
Output Voltage	V_{OUT}		0		V_{CC}	V
High-level Input Voltage	V_{IH}		2			V
Low-level Input Voltage	V_{IL}				0.8	V
High-level Output Current	I_{OH}				-8	mA
Low-level Output Current	I_{OL}				8	mA
Input Transition Rise or Fall Rate	t_R, t_F				20	ns/V

■ ELECTRICAL CHARACTERISTICS

PARAMETER	SYMBOL	TEST CONDITIONS	MIN	TYP	MAX	UNIT
High-Level Output Voltage	V_{OH}	$V_{CC}=4.5V, I_{OH}=-50\mu A$	4.4	4.5		V
		$V_{CC}=4.5V, I_{OH}=-8mA$	3.94			
Low-Level Output Voltage	V_{OL}	$V_{CC}=4.5V, I_{OL}=50\mu A$			0.1	V
		$V_{CC}=4.5V, I_{OL}=8mA$			0.36	
Input Leakage Current	$I_{I(LEAK)}$	$V_{CC}=0\sim 5.5V, V_{IN}=5.5V$ or GND			±0.1	μA
Quiescent Supply Current	I_Q	$V_{CC}=5.5V, V_{IN}=V_{CC}$ or GND, $I_{OUT}=0$			1	μA
Additional Quiescent Supply Current	ΔI_Q	$V_{CC}=5.5V$, One input at 3.4V, Other inputs at V_{CC} or GND			1.35	mA
Input Capacitance	C_I	$V_{CC}=5V, V_{IN}=V_{CC}$ or GND		4	10	pF

■ DYNAMIC CHARACTERISTICS

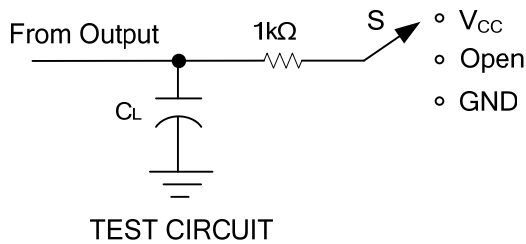
PARAMETER	SYMBOL	TEST CONDITIONS	MIN	TYP	MAX	UNIT
Propagation Delay Time Input(A) to Output(Y)	t_{PLH}	$V_{CC}=5V\pm 0.5V, C_L=15pF$		4.7	6.7	ns
	t_{PHL}			4.7	6.7	
	t_{PLH}	$V_{CC}=5V\pm 0.5V, C_L=50pF$		5.5	7.7	
	t_{PHL}			5.5	7.7	

■ OPERATING CHARACTERISTICS ($T_A=25^\circ C$)

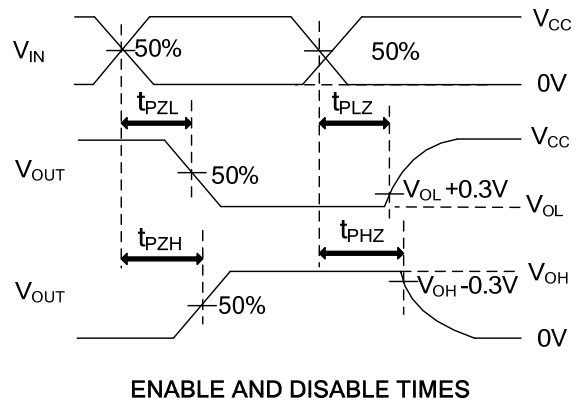
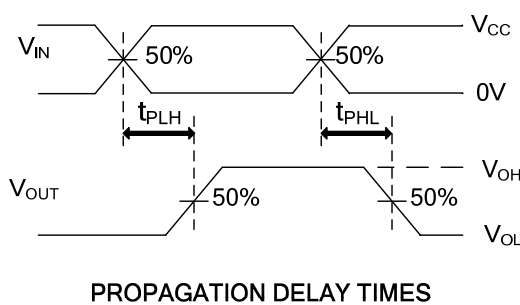
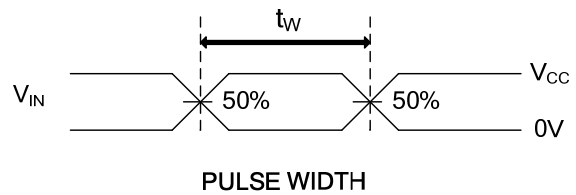
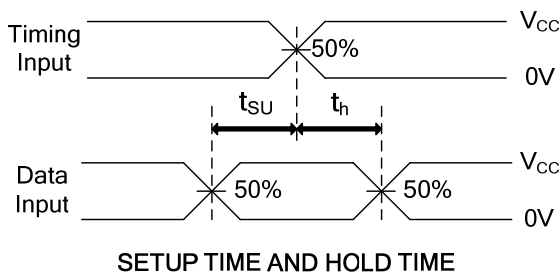
PARAMETER	SYMBOL	TEST CONDITIONS	MIN	TYP	MAX	UNIT
Power Dissipation Capacitance	Cpd	No load, $V_{CC}=5V, f=1MHz$		14		pF

FLYING 汎翔國際有限公司
www.flying1688.com

■ TEST CIRCUIT AND WAVEFORMS



TEST	S
t _{PLH} /t _{PHL}	Open
t _{PHZ} /t _{PZH}	GND
t _{PLZ} /t _{PZL}	V _{CC}



Note: C_L includes probe and jig capacitance.
 PRR ≅ 1MHz, Z_O = 50Ω, t_R ≅ 3ns, t_F ≅ 3ns

UTC assumes no responsibility for equipment failures that result from using products at values that exceed, even momentarily, rated values (such as maximum ratings, operating condition ranges, or other parameters) listed in products specifications of any and all UTC products described or contained herein. UTC products are not designed for use in life support appliances, devices or systems where malfunction of these products can be reasonably expected to result in personal injury. Reproduction in whole or in part is prohibited without the prior written consent of the copyright owner. UTC reserves the right to make changes to information published in this document, including without limitation specifications and product descriptions, at any time and without notice. This document supersedes and replaces all information supplied prior to the publication hereof.